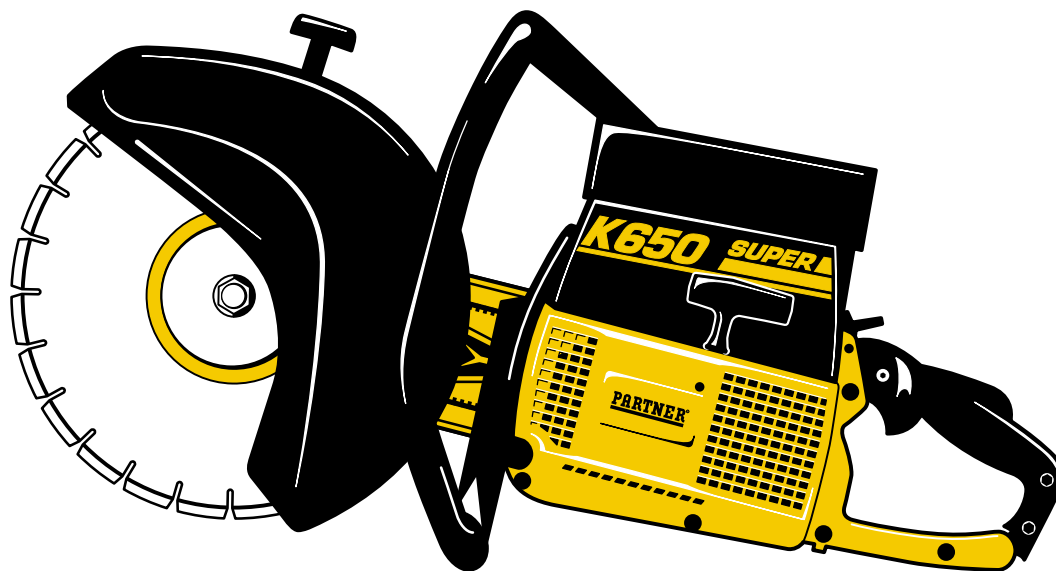


PARTNER

Illustrated Parts List 2000-05 CD

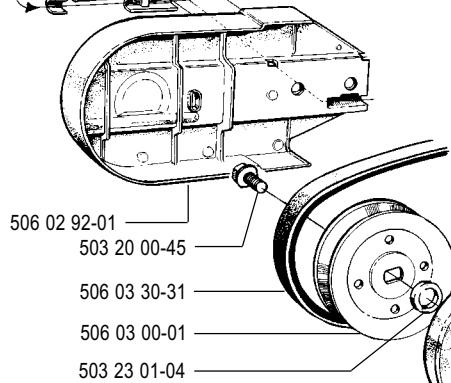
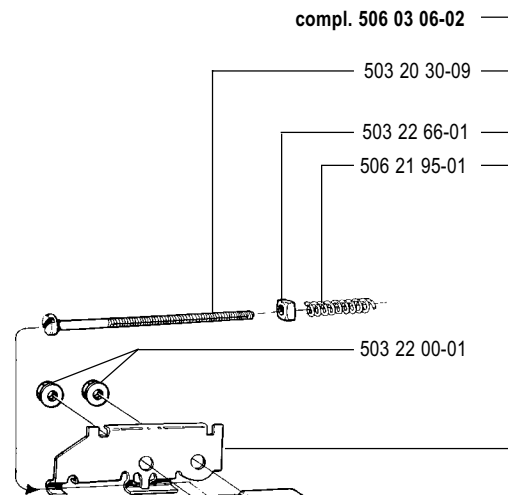
K650 Mark II 1987-1992

K650 Super 1992-1994

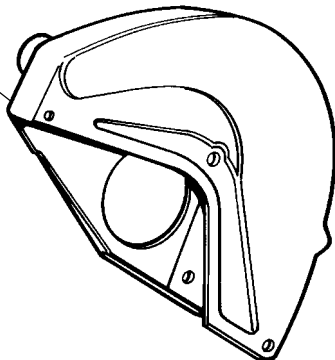
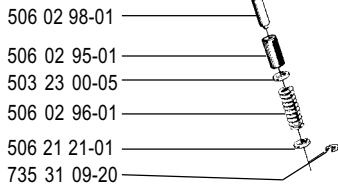
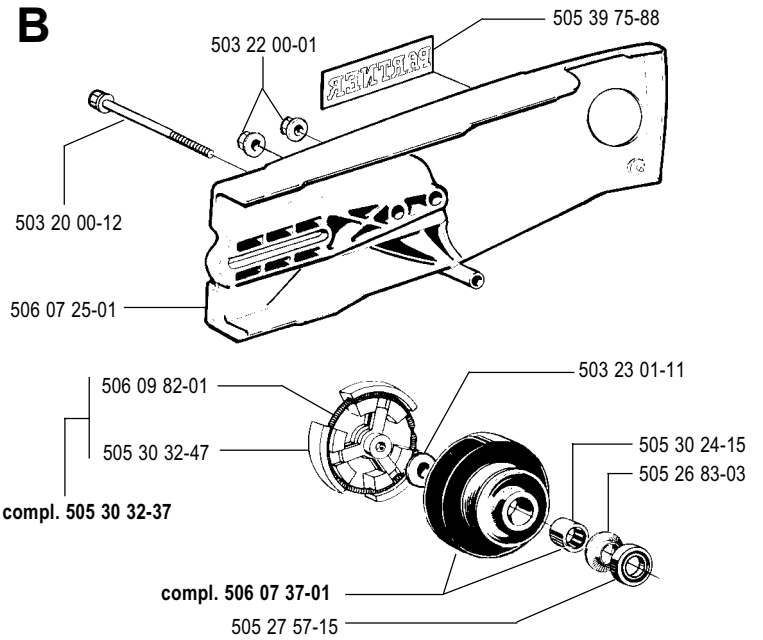


108 30 00-40

PARTNER[®]

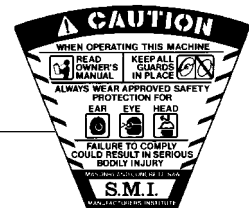
A

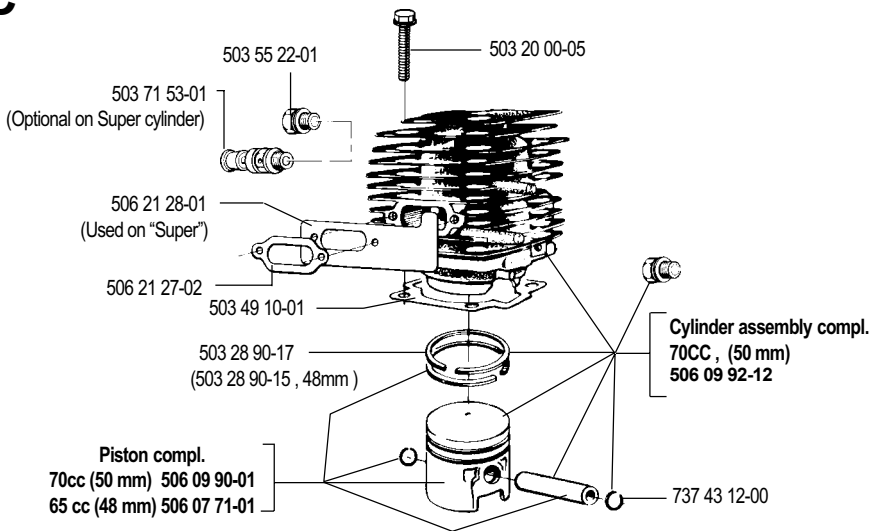
compl. 12"
506 26 00-02

**B**

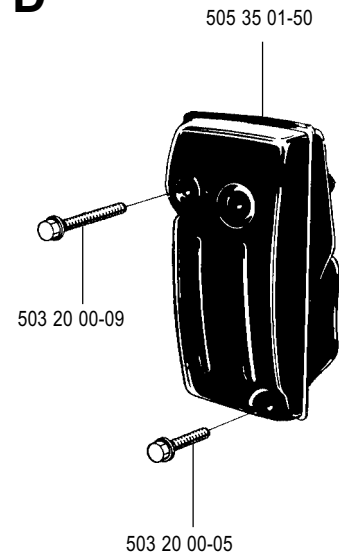
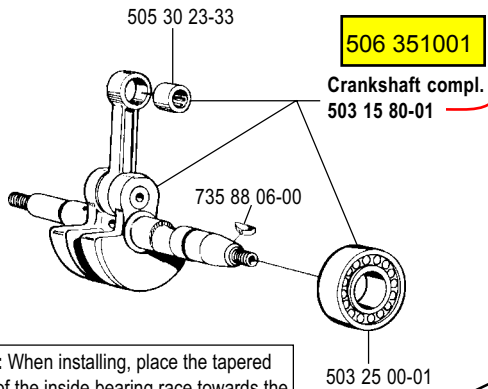
- Ø 20mm 506 03 95-20
- Ø 7/8", 22.2 506 03 95-22
- Ø 1", 25.4 506 03 95-25
- Ø 30.5 506 02 88-30

506 03 88-01



C

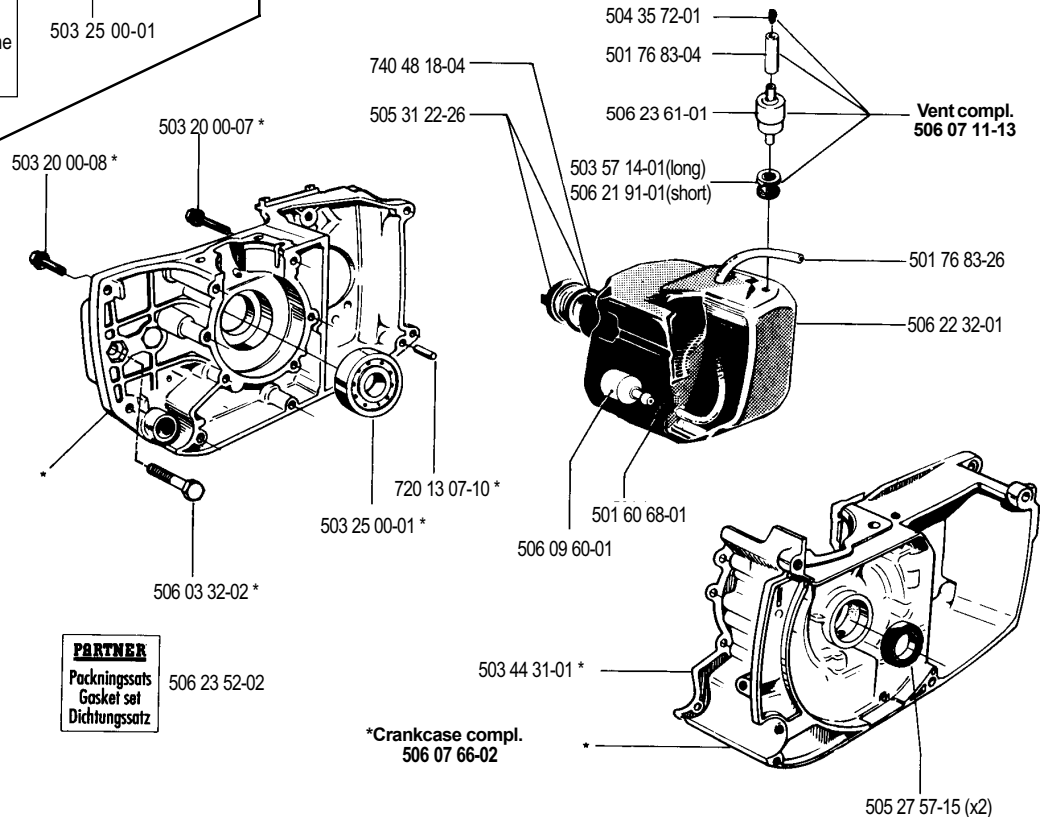
Note: The cylinder and piston listed will fit most K650 Mark II.
 If the serial number starts with a **6xx xxxx** or **7xx xxxx** use Part #:
 Cylinder assembly: **506 07 70-01** (Bore 48 mm, 65cc)

D**E**

Note: When installing, place the tapered side of the inside bearing race towards the counter weight.

F

SHORT BLOCK ASSEMBLY 506 149901

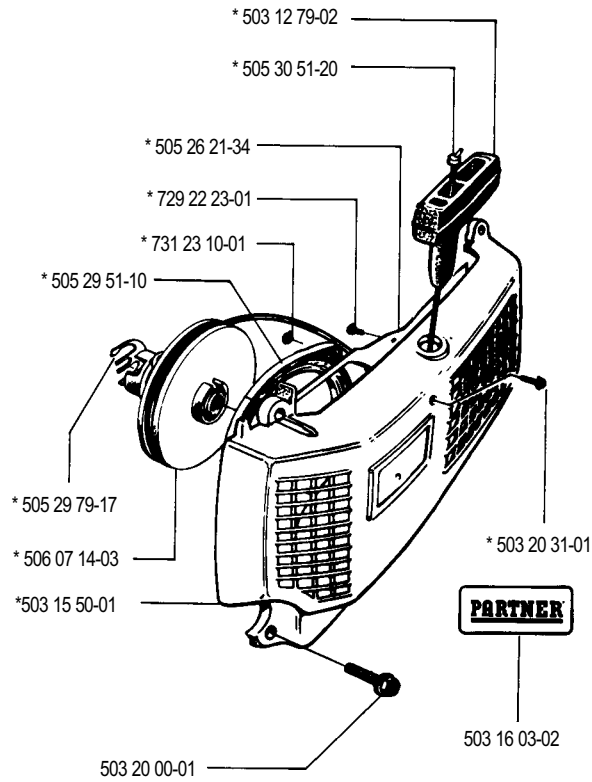


*Crankcase compl.
506 07 66-02

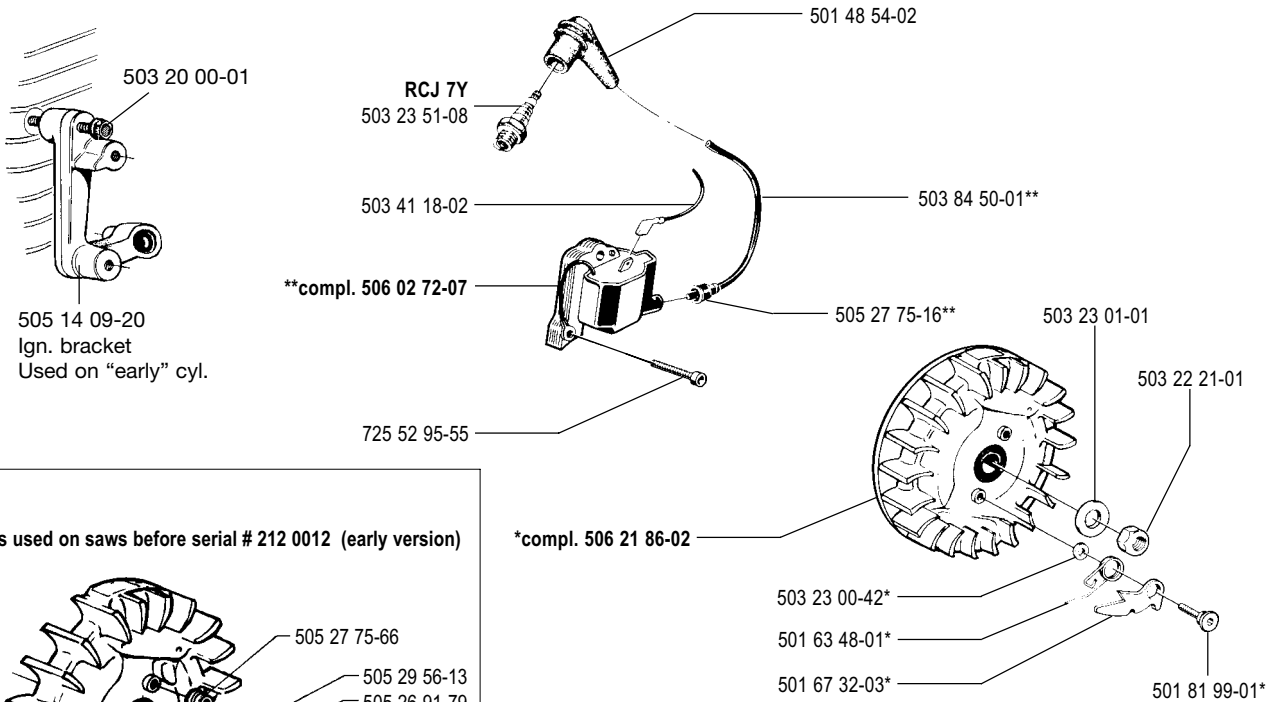
PARTNER
 Packingsatz
 Gasket set
 Dichtungssatz

H

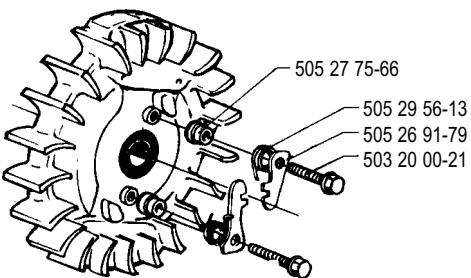
*Starter compl.
506 07 42-60

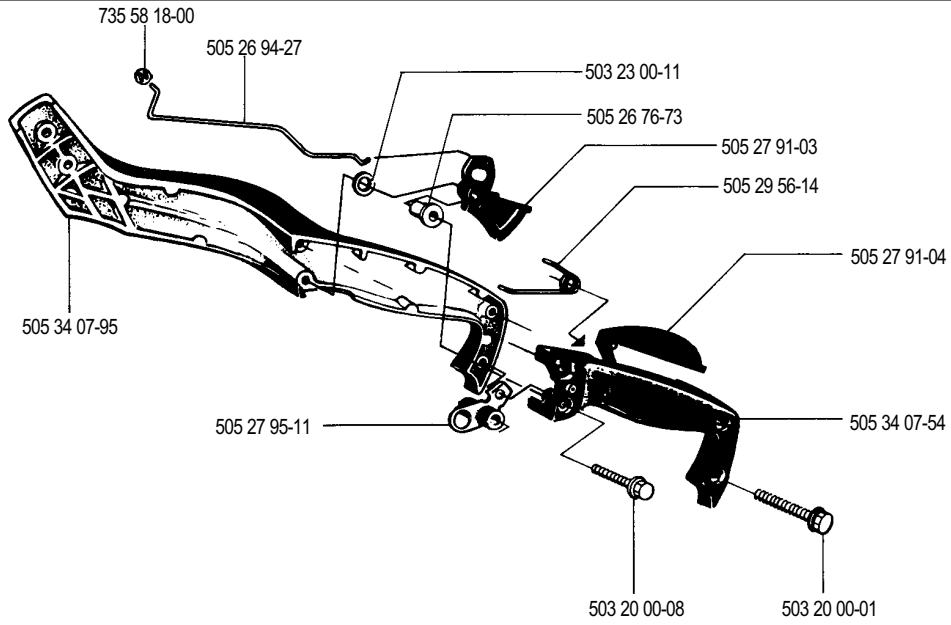
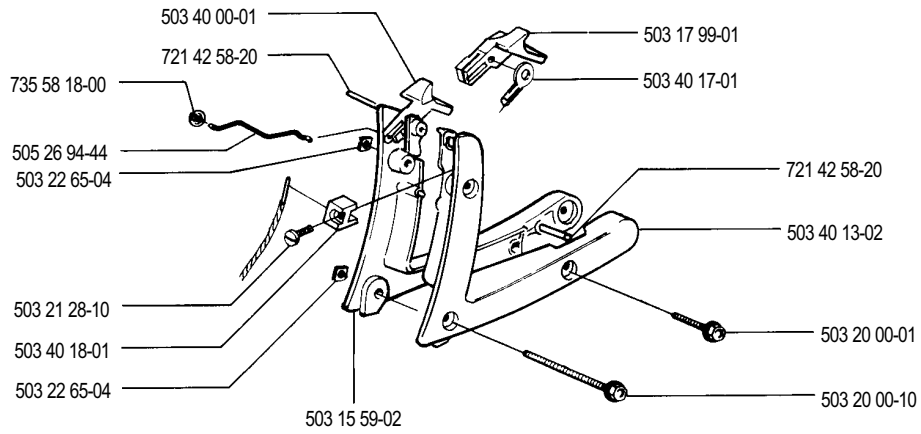
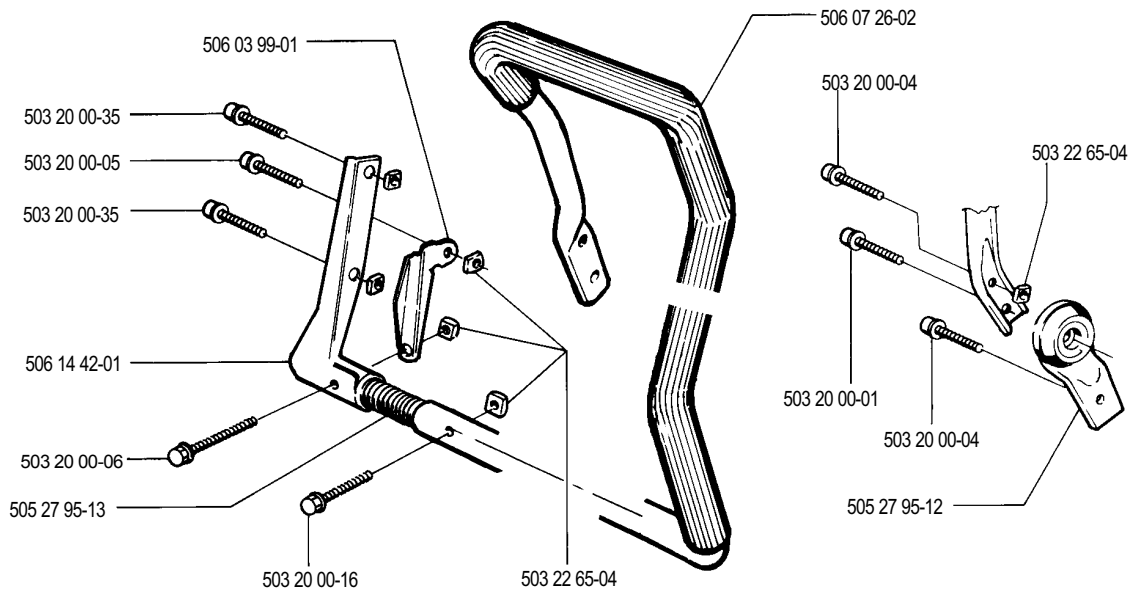


J



Parts used on saws before serial # 212 0012 (early version)



K**L****M**

N

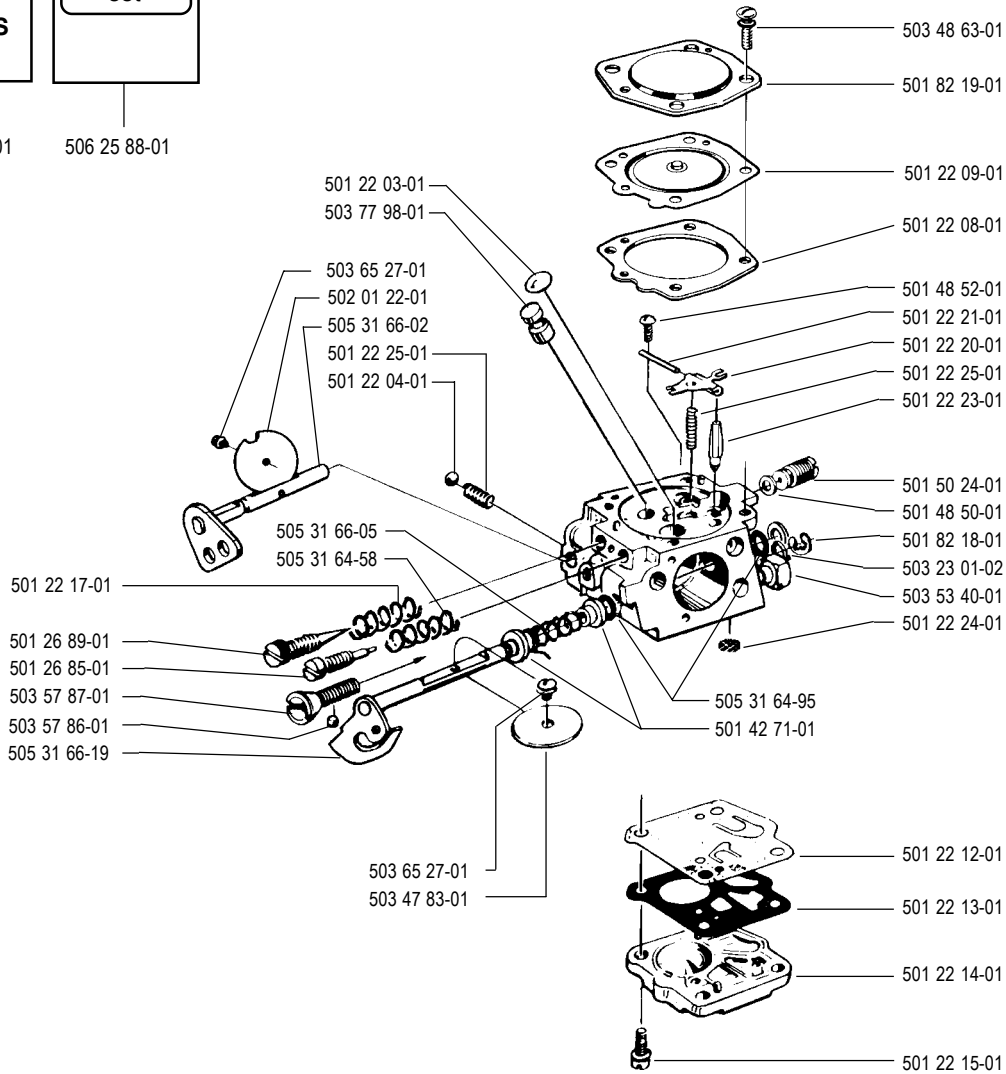
Carburetor compl. 505 31 66-21
Tillotson HS 175 D

Repair kit
RK 31HS

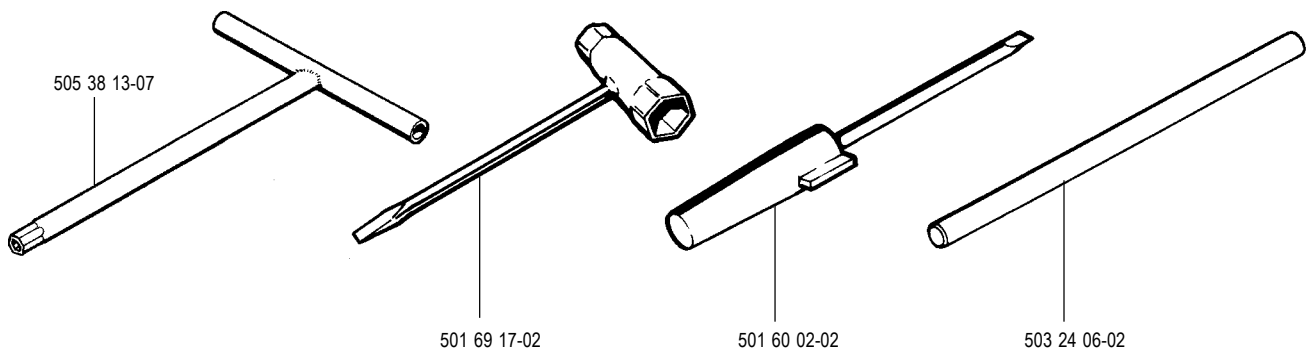
506 27 63-01

Diaphragm
and gasket
set

506 25 88-01



O



No.	Description	No.	Description	No.	Description
501 22 03-01	Plug	503 25 00-01	Ball bearing	505 39 75-88	Decal
501 22 04-01	Ball	503 25 21-01	Ball bearing 6202 2RS	506 02 72-07	Ignition module
501 22 08-01	Gasket, metering side	503 28 90-15	Piston ring 48 mm	506 02 84-01	Washer
501 22 09-01	Metering diaphragm	503 28 90-17	Piston ring 50 mm	506 02 85-63	Shaft
501 22 12-01	Fuel pump diaphragm	503 40 00-01	Choke control	506 02 86-01	Spacer
501 22 13-01	Gasket, pump side	503 40 13-02	Bracket left	506 02 87-01	Washer
501 22 14-01	Cap	503 40 17-01	Contact spring	506 02 88-30	Bushing
501 22 15-01	Screw	503 40 18-01	Holder	506 02 91-02	Bearing housing
501 22 17-01	Spring	503 41 18-02	Cable	506 02 92-01	Guard
501 22 20-01	Lever	503 44 31-01	Gasket	506 02 95-03	Hose
501 22 21-01	Shaft	503 47 83-01	Throttle flap	506 02 96-01	Spring
501 22 23-01	Needle	503 48 63-01	Cover screw	506 02 98-01	Control knob
501 22 24-01	Filter	503 49 08-01	Gasket	506 03 00-01	Pulley
501 22 25-01	Spring	503 49 09-01	Gasket	506 03 06-02	Adjuster
501 26 85-01	Needle L	503 49 10-01	Gasket	506 03 30-31	Belt
501 26 89-01	Needle H	503 53 40-01	Nipple	506 03 32-02	Screw
501 42 71-01	Bushing	503 55 22-01	Plug	506 03 45-01	Washer
501 48 50-01	Gasket	503 57 14-01	Tank vent. long	506 03 62-01	Spacer (rubber)
501 48 52-01	Screw	503 57 86-01	Ball	506 03 62-02	Spacer (rubber)
501 48 54-02	Spark plug conn. kit	503 57 87-01	Idle adjustment screw	506 03 62-04	Spacer (plastic)
501 50 24-01	Governor	503 65 27-01	Screw	506 03 88-01	Warning label
501 60 02-02	Screwdriver	503 71 53-01	Valve decompr.	506 03 95-20	Bushing
501 60 68-01	Clamp	503 77 98-01	Valve	506 03 95-22	Bushing
501 63 48-01	Spring	503 84 50-01	Cable	506 03 95-25	Bushing
501 67 32-03	Pawl	504 35 72-01	Fuel filter	506 03 99-01	Support
501 69 17-02	Combi tool	505 14 09-20	Ign. bracket	506 07 07-01	Flange, support
501 76 83-04	Hose	505 26 21-34	Air guide	506 07 11-13	Vent cpl
501 76 83-26	Hose, 245 mm	505 26 76-73	Spacer	506 07 14-03	Starter pulley
501 81 99-01	Screw M5x14	505 26 83-03	Cover	506 07 25-01	Cutting arm
501 82 18-01	Retaining ring	505 26 91-79	Starter pawl	506 07 26-02	Handle
501 82 19-01	Cover	505 26 92-89	Bracket	506 07 37-01	Drive wheel
502 01 22-01	Choke flap	505 26 94-27	Throttle rod	506 07 39-01	Cyl cover
503 12 79-02	Starter handle	505 26 94-44	Choke link	506 07 40-01	Air filter, oiled foam
503 15 50-01	Starter housing	505 27 57-15	Seal ring	506 07 42-60	Starter cpl
503 15 59-02	Bracket right	505 27 57-15	Seal ring	506 07 63-01	Spill filter seal
503 15 80-01	Crankshaft	505 27 75-16	Insulating cap	506 07 64-01	Spill filter cpl
503 16 03-02	Decal	505 27 75-66	Sleeve	506 07 66-02	Crankcase cpl
503 17 99-01	Switch knob	505 27 90-60	Insul. flange	506 07 70-01	Cylinder cpl 65cc, 48mm
503 20 00-01	Screw M6SF 5x20	505 27 91-03	Throttle control	506 07 71-01	Piston cpl 48 mm
503 20 00-04	Screw M6SF 5x16	505 27 91-04	Throttle catch	506 09 60-01	Filter
503 20 00-05	Screw M6SF 5x25	505 27 95-11	Absorber	506 09 64-01	Gasket
503 20 00-06	Screw M6SF 5x35	505 27 95-12	Absorber	506 09 82-01	Clutch spring
503 20 00-07	Screw M6SF 5x40	505 27 95-13	Absorber	506 09 90-01	Piston cpl 50 mm
503 20 00-09	Screw M6SF 5x45	505 29 51-10	Starter spring	506 09 92-12	Cylinder cpl 70cc, 50mm
503 20 00-10	Screw M6SF 5x55	505 29 56-13	Pawl spring	506 13 95-01	Washer
503 20 00-12	Screw M6SF 5x70	505 29 56-14	Spring	506 13 96-01	Screw
503 20 00-16	Screw 5x28	505 29 79-17	E-clip	506 14 32-01	Catch
503 20 00-18	Screw 5x85	505 30 23-33	Needle bearing	506 14 42-01	Support
503 20 00-21	Screw	505 30 24-15	Needle bearing	506 21 21-01	Washer
503 20 00-35	Screw	505 30 32-37	Clutch	506 21 27-02	Gasket
503 20 00-45	Screw	505 30 32-47	Centrif. weight	506 21 28-01	Deflector
503 20 30-09	Screw	505 30 51-20	Starter rope	506 21 86-02	Flywheel cpl.
503 20 31-01	Screw (starter spring)	505 31 04-39	Intake	506 21 91-01	Grommet
503 20 64-20	Screw	505 31 22-26	Fuel cap	506 21 95-01	Spring
503 20 86-01	Stud	505 31 55-69	Air filter cover	506 22 32-01	Tank
503 21 28-10	Screw	505 31 55-71	Pre filter	506 23 52-02	Gasket set
503 22 00-01	Nut M8	505 31 64-58	Pressure spring	506 23 61-01	Tank vent.
503 22 01-01	Nut M6MF M5	505 31 64-95	Sealing ring	506 25 88-01	Gasket set
503 22 21-01	Lock nut M8x1	505 31 66-02	Choke shaft	506 26 00-02	Guard
503 22 65-04	Nut	505 31 66-05	Spring	506 27 63-01	Repair kit
503 22 66-01	Nut	505 31 66-19	Throttle shaft	720 13 07-10	Pin
503 23 00-05	Washer 6.5x11	505 31 66-21	Carburetor cpl	721 42 58-20	Spring pin 4x24
503 23 00-11	Washer 5.3x12	505 34 07-54	Handle, left half	725 52 95-55	Screw MC6S 4x20
503 23 00-42	Washer	505 34 07-95	Handle, right	725 53 27-55	Screw MC6S 5x12
503 23 01-01	Washer 8.4x16	505 35 01-50	Silencer	729 22 23-01	Screw
503 23 01-02	Washer 5.25x9	505 38 13-07	Socket wrench	731 23 10-01	Nut (starter spring)
503 23 01-04	Washer 15x21	505 39 75-73	Decal	735 31 09-20	E-ring 5
503 23 01-11	Washer	505 39 75-75	Decal	735 58 18-00	Lock washer 2.4
503 23 51-08	Spark plug RCJ7Y	505 39 75-79	Decal	735 88 06-00	Woodruff key
503 24 06-02	Pin 3.6x120	505 39 75-86	Decal	737 43 12-00	Retaining ring
				740 42 02-00	O-ring
				740 48 18-04	O-ring