



**PIONEER  
PARTNER**



# SERVICE BULLETIN

April, 1987

Section No. 11  
Bulletin No. 5

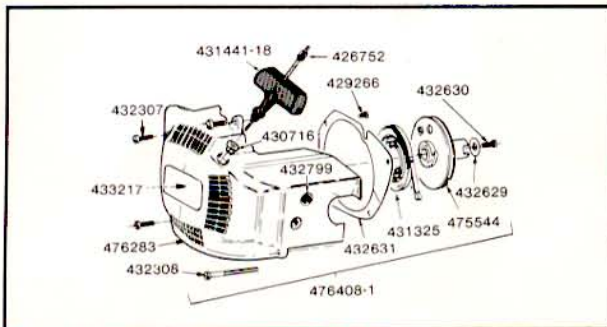
**MODEL(S): P39 PLUS AND P45**  
**SUBJECT: NEW STARTER COVER ASSEMBLY**  
**SERIAL NUMBER(S) AFFECTED: MODEL P39 PLUS: N/A**  
**MODEL P45: FROM DATE OF INTRODUCTION**

The soon to be released P45 will have an improved starter assembly featuring a metal bushing for the pulley, larger area for air intake and tighter tolerances for quieter functioning. These changes will result in a starter cover that will fit saws equipped with the Phelon ignition system only due to a non-retrofitable baffle plate change. To accommodate service requirements on models P38 and P39 we have released separate numbers for the assemblies using new parts with the old baffle plate. The chart below outlines the parts you should order. **NOTE: 476408-1 can be interchanged with 476529-1, however no component parts are directly interchangeable.**

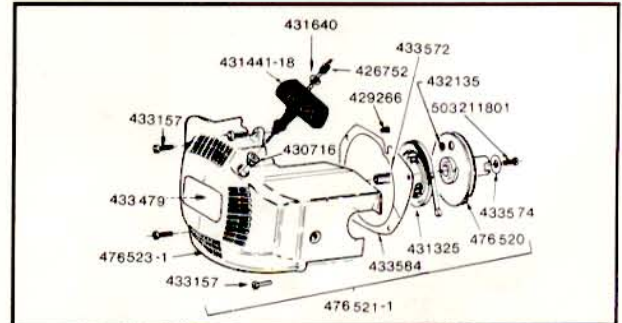
### PARTS WHICH CHANGE

DESCRIPTION	MODELS P38 & P39 OLD #'S	MODELS P38 & P39 NEW #'S	MODELS P39 PLUS & P45 NEW #'S
BLOWER COVER ASSY. COMPL.	476408 (-1)	See 507 476608 for complete starter assembly	
BLOWER COVER AND FERRULE	476283	476523-1	476523-1
PULLEY	475544 <i>N/A</i>	476520	476520
SCREW POST	432630	503 211801	503 211801
BAFFLE PLATE	432631	432631	433584
WASHER - POST	432629	433574	433574

**OLD**



**NEW**



ADD 507 PREFIX TO ALL 6 DIGIT NUMBERS.

Technical Service Dept.

