



**PIONEER
PARTNER**



SERVICE BULLETIN

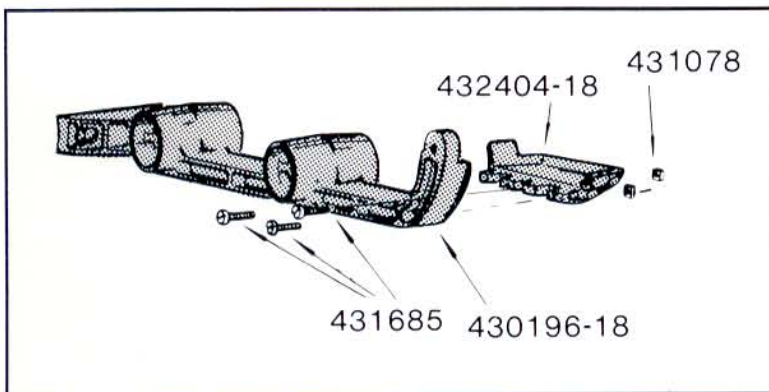
November, 1986

Section No. 10
Bulletin No. 3

MODEL(S): P39 PLUS
SUBJECT: NEW STYLE BOTTOM FRAME
SERIAL NUMBER(S) AFFECTED: N/A

- We are pleased to make you aware of a new style bottom frame (lower beam) soon to be introduced on the P39 PLUS and some future 4 cubic inch models.
- The new frame, P/N 476512-18, is molded in 30% glass-filled nylon and incorporates the hand guard feature that was previously a separate part.
- An added feature of the new design is the reduced risk of "HANG-UP" on branches, etc. Many of the openings under the saw are now either eliminated or reduced in size.
- The new style frame will be available to retro-fit all earlier models using the old style, 430186, bottom frame.

OLD



NEW

