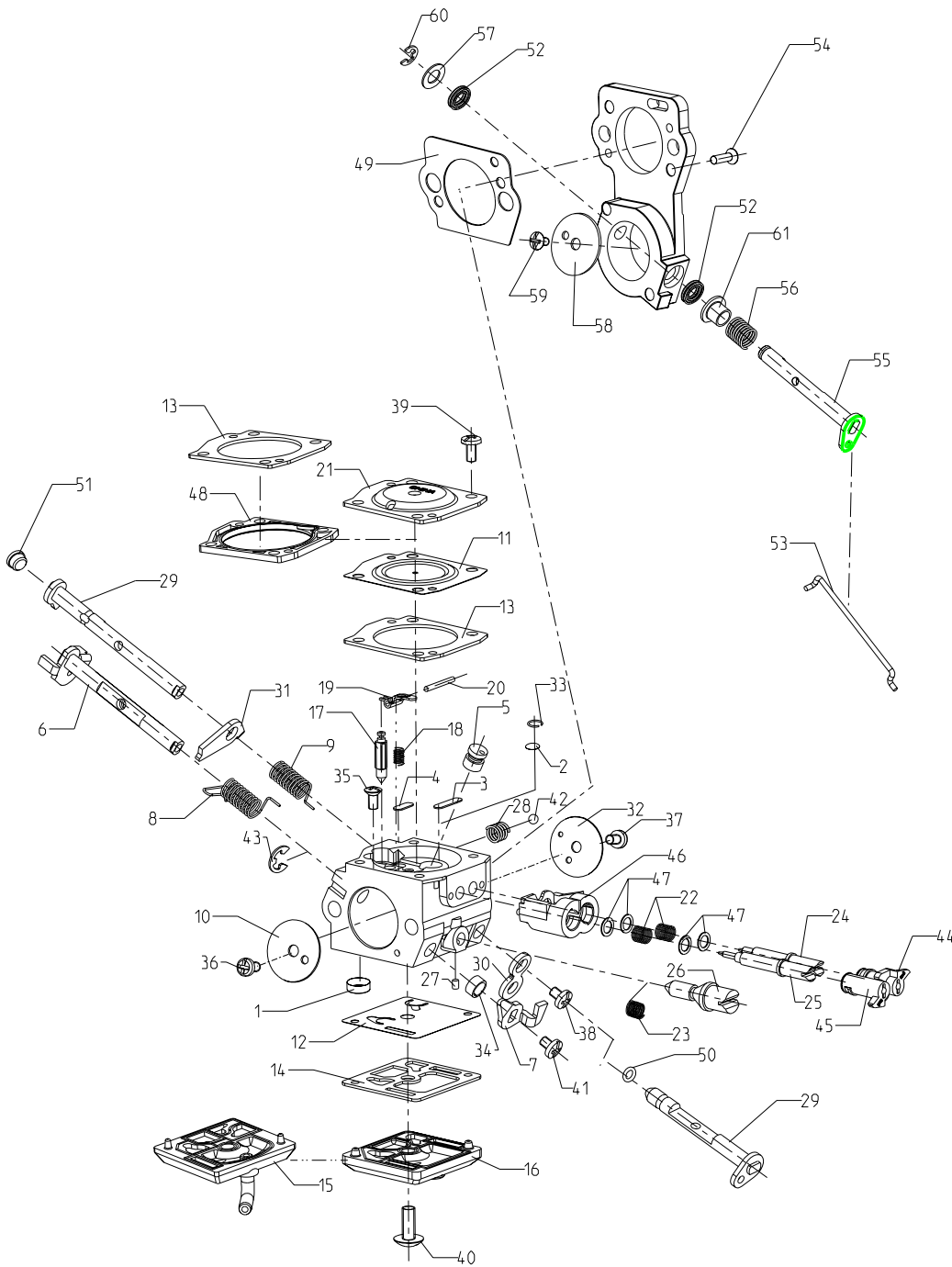


PARTS LIST



C3 TYPE

C3 TYPE



REF. NO	PART NAME
1	STRAINER
2	STRAINER
3	PLUG, WELCH
4	PLUG, WELCH
5	NOZZLE ASS'Y, CHECK VALVE
6	SHAFT ASS'Y, THROTTLE
7	LEVER, THROTTLE
8	SPRING, THROTTLE RETURN
9	SPRING, CHOKE RETURN
10	VALVE, THROTTLE
11	DIAPHRAGM ASS'Y, METERING
12	DIAPHRAGM, PUMP
13	GASKET, METERING CHAMBER
14	GASKET, PUMP
15	COVER ASS'Y, PUMP
16	COVER, PUMP
17	VALVE, INLET NEEDLE
18	SPRING, METERING LEVER
19	LEVER, METERING
20	PIN
21	COVER, METERING CHAMBER
22	SPRING, ADJUST SCREW
23	SPRING, ADJUST SCREW
24	SCREW, MAIN MIXTURE
25	SCREW, IDLE MIXTURE
26	SCREW, THROTTLE ADJUST
27	PIECE, FRICTION
28	SPRING, FRICTION
29	SHAFT ASS'Y, CHOKE
30	LEVER, CHOKE
31	LEVER, CHOKE
32	VALVE, CHOKE
33	RING, WIRE
34	COLLAR
35	SCREW (PIN)
36	SCREW (THROTTLE VALVE)
37	SCREW (CHOKE VALVE)
38	SCREW (CHOKE LEVER)
39	SCREW (METERING COVER)
40	SCREW (PUMP COVER)
41	SCREW (THROTTLE LEVER)
42	BALL, STEEL
43	E-RING (THROTTLE SHAFT)
44	LIMITER (H)
45	LIMITER (L)
46	RETAINER (LIMITER)
47	WASHER (LIMITER)
48	COVER, COMPENSATOR
49	GASKET (AIR HEAD)
50	O-RING
51	PLUG (CHOKE SHAFT)
52	QUAD RING
53	ROD LINKAGE (AIR HEAD)
54	SCREW (BODY AIR HEAD)
55	SHAFT ASS'Y (AIR HEAD)
56	SPRING (AIR HEAD .RETURN)
57	WASHER
58	VALVE (AIR HEAD)
59	SCREW (VALVE, AIR HEAD)
60	E-RING (SHAFT, AIR HEAD)
61	COLLAR (SHAFT, AIR HEAD)

PARTS LIST

C3 TYPE

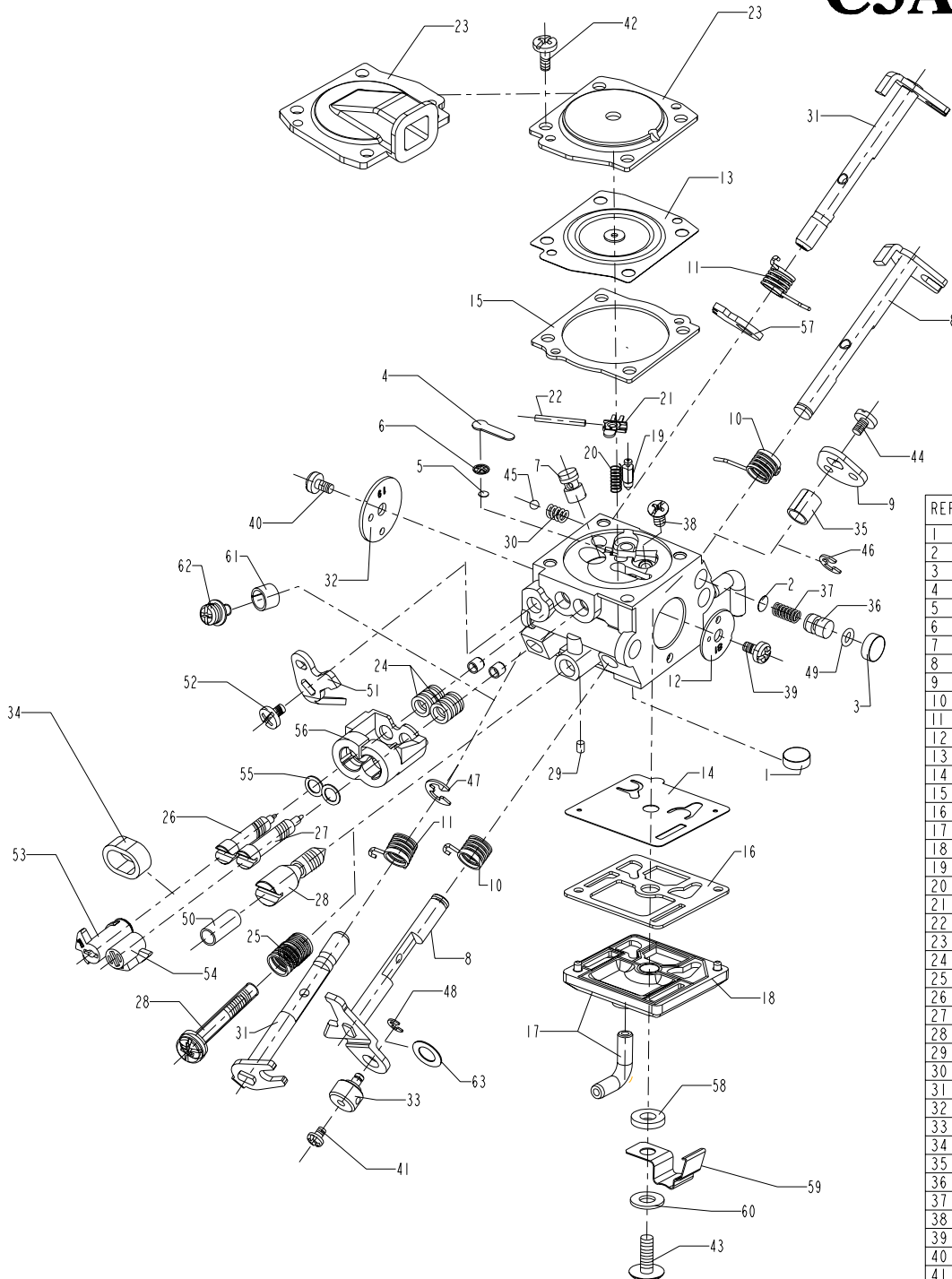
REF	PART NAME	C3 EL18	C3 EL18A	C3 EL18B	C3 EL29	C3 K5				
	Venturi	15 mm	15 mm	15 mm	14 mm	13.5 mm				
★	Rebuild Kit	RB-122	RB-122	RB-122	RB-133	RB-43				
●	Gasket & Diaphragm Kit	★ GND-65	★ GND-65	★ GND-65	★ GND-73	★ GND-19				
▲	Cover Kit, Pump	-----	-----	-----	-----	-----				
†	Body Ass'y, AirHead				A088004					
1	Strainer	★ 0004011	★ 0004011	★ 0004011	★ 0004011	★ 0004004				
2	Strainer	-----	-----	-----	-----	★ 0004008				
3	Plug, Welch	★ 0005004	★ 0005004	★ 0005004	★ 0005004	★ 0005002				
4	Plug, Welch	★ 0005006	★ 0005006	★ 0005006	★ 0005006	★ 0005007				
5	Nozzle Ass'y, Check Valve	A007194	A007220	A007220	A007218	-----				
6	Shaft Ass'y, Throttle	A011184	A011184	A011184	A011222	-----				
7	Lever, Throttle	0012163	0012163	0012163		0048001				
8	Spring, Throttle Return	0013076	0013076	0013076	0013099	0013017				
9	Spring, Choke Return	0013077	0013077	0013077	-----	-----				
10	Valve, Throttle	0014106	0014106	0014106	0014098	0014017				
11	Diaphragm Ass'y, Metering	★● A015040	★● A015040	★● A015040	★● A015055	★● A015012				
12	Diaphragm, Pump	★● 0015049	★● 0015049	★● 0015049	★● 0015039	★● 0015021				
13	Gasket, Metering Chamber	★● 0016051	★● 0016051	★● 0016051	★● 0016093	★● 0016024				
14	Gasket, Pump	★● 0016032	★● 0016032	★● 0016032	★● 0016032	★● 0016023				
15	Cover Ass'y, Pump	-----	-----	-----	A017047	A017007				
16	Cover, Pump	0017041	0017041	0017041	-----	-----				
17	Valve, Inlet Needle	★ 0018002	★ 0018002	★ 0018002	★ 0018002	★ 0018004				
18	Spring, Metering Lever	★ 0019013	★ 0019013	★ 0019013	★ 0019009	★ 0019007				
19	Lever, Metering	★ 0020033	★ 0020033	★ 0020033	★ 0020033	★ 0020003				
20	Pin	★ 0021001	★ 0021001	★ 0021001	★ 0021001	★ 0021002				
21	Cover, Metering Chamber	0028044	0028044	0028044	0028047	0028012				
22	Spring, Adjust Screw	0029005	0029005	0029005	-----	0029005				
23	Spring, Adjust Screw	-----	-----	-----	-----	0029006				
24	Screw, Main Mixture	0030183	0030183	0030183	0030226	0030025				
25	Screw, Idle Mixture	0031196	0031196	0031196	0031228	0031024				
26	Screw, Throttle Adjust	0035072	0035072	0035072	0035022	-----				
27	Piece, Friction	0036001	0036001	0036001	0036001	-----				
28	Spring, Friction	0038001	0038001	0038001	0038001	0038001				
29	Shaft Ass'y, Choke	A041092	A041092	A041092	A041110	A041010				
30	Lever, Choke	0042092	0042092	0042092	-----	-----				
31	Lever, Choke	0042094	0042094	0042144	-----	-----				
32	Valve, Choke	0043010	0043010	0043010	0043061	0043009				
33	Ring, Wire	-----	-----	-----	-----	-----				
34	Collar	0052005	0052005	0052005	0052015	-----				
35	Screw (Pin)	14803006	14803006	149030055	149030055	17103004				
36	Screw (Throttle Valve)	156030055	156030055	156030055	15702545	15603004				
37	Screw (Choke Valve)	156030045	156030045	156030045	156030045	15603004				
38	Screw (Choke Lever)	17103004	17103004	17103004	-----	-----				
39	Screw (Metering Cover)	17203006	17203006	17203006	17203009	17103007				
40	Screw (Pump Cover)	17004010	17004010	17004010	17004010	17004010				
41	Screw (Throttle Lever)	17103004	17103004	17103004	-----	17103004				
42	Ball, Steel	19290030	19290030	19290030	19290030	19290030				
43	E-Ring (Throttle Shaft)	-----	-----	-----	19500030	-----				
44	Limiters, Mixture (H)	0061027	0061027	0061027	-----	-----				
45	Limiters, Mixture (L)	0061028	0061028	0061028	-----	-----				
46	Retainer (Limiters)	0009031	0009031	0009031	-----	-----				
47	Washer (Limiters)	0026006	0026006	0026006	-----	-----				
48	Cover, Compensator	-----	-----	-----	0028048	-----				
49	Gasket, Air Head	-----	-----	-----	★● 0016094	-----				
50	O-Ring	-----	-----	-----	★ 195503010	-----				
51	Plug, Choke Shaft	-----	-----	-----	0005047	-----				
52	Quad Ring	-----	-----	-----	★★ 195505178	-----				
53	Rod Linkage, AirHead	-----	-----	-----	0063026	-----				
54	Screw, Body AirHead	-----	-----	-----	14902509	-----				
55	Shaft Ass'y, AirHead	-----	-----	-----	† A011223	-----				
56	Spring, AirHead Return	-----	-----	-----	† 0013100	-----				
57	Washer	-----	-----	-----	† 0026036	-----				
58	Valve AirHead	-----	-----	-----	† 0014098	-----				
59	Screw, Valve AirHead	-----	-----	-----	† 15702545	-----				
60	E-Ring, Shaft AirHead	-----	-----	-----	† 19500030	-----				
61	Collar, Shaft AirHead	-----	-----	-----	† 0052015	-----				

PARTS LIST



C3A/M TYPE

C3A/M TYPE



REF. NO.	PART NAME
1	STRAINER
2	STRAINER
3	STRAINER
4	PLUG, WELCH
5	VALVE, CHECK
6	RETAINER,CHECK VALVE
7	NOZZLE ASS'Y, CHECK VALVE
8	SHAFT ASSEMBLY, THROTTLE
9	LEVER, THROTTLE
10	SPRING, THROTTLE RETURN
11	SPRING, CHOKE RETURN
12	VALVE, THROTTLE
13	DIAPHRAGM ASS'Y, METERING
14	DIAPHRAGM,PUMP
15	GASKET,METERING CHAMBER
16	GASKET,PUMP
17	COVER ASSY, PUMP
18	COVER, PUMP
19	VALVE, INLET NEEDLE
20	SPRING, METERING LEVER
21	LEVER, METERING
22	PIN
23	COVER,METERING CHAMBER
24	SPRING, ADJUST SCREW
25	SPRING, ADJUST SCREW
26	SCREW, MAIN MIXTURE
27	SCREW, IDLE MIXTURE
28	SCREW, THROTTLE ADJUST
29	PIECE, FRICTION
30	SPRING, FRICTION
31	SHAFT ASS'Y, CHOKE
32	VALVE, CHOKE
33	POST
34	BOOT
35	COLLAR
36	PLUNGER
37	SPRING (PLUNGER RETURN)
38	SCREW (PIN)
39	SCREW (THROTTLE VALVE)
40	SCREW (CHOKE VALVE)
41	SCREW (POST)
42	SCREW (METERING COVER)
43	SCREW (PUMP COVER)
44	SCREW, THROTTLE LEVER
45	BALL, STEEL
46	E-RING (THROTTLE SHAFT)
47	E-RING (CHOKE SHAFT)
48	E-RING (POST)
49	O-RING (PLUNGER)
50	BOOT (THROTTLE ADJUST)
51	LEVER (THROTTLE ADJUST)
52	SCREW, THROTTLE ADJUST
53	LIMITER, MIXTURE (H)
54	LIMITER, MIXTURE (L)
55	WASHER, (LIMITER)
56	RETAINER, LIMITER
57	LEVER, CHOKE RETURN
58	WASHER (PUMP)
59	RETAINER (THERMOSTAT)
60	WASHER (RETAINER, THERMOSTAT)
61	COLLAR, CHOKE SHAFT
62	SCREW, CHOKE SHAFT
63	WASHER, POST

PARTS LIST

C3A/M TYPE

REF	PART NAME	C3M K33B-C	C3M K33D	C3M K74	C3M K80	C3M S5	C3M S5A - C	C3M S5D, E
	Venturi	15 mm	15 mm	15 mm	15 mm	17 mm	17 mm	17 mm
★	Rebuild Kit	RB-53	RB-53	RB-116	RB-116	RB-37	RB-37	RB-36
●	Gasket & Diaphragm Kit	GND-26	GND-26	GND-62	GND-62	GND-26	GND-26	GND-25
▲	Cover Kit, Pump	-----	-----	-----	-----	-----	-----	-----
1	Strainer	★ 0004009	★ 0004009	★ 0004009	★ 0004009	★ 0004011	★ 0004011	★ 0004011
2	Strainer	-----	-----	-----	-----	-----	-----	-----
3	Strainer	-----	-----	-----	-----	-----	-----	-----
4	Plug, Welch	★ 0005005	★ 0005005	★ 0005004	★ 0005004	★ 0005005	★ 0005005	★ 0005005
5	Valve, Check	-----	-----	-----	-----	-----	-----	-----
6	Retainer, Check Valve	-----	-----	-----	-----	-----	-----	-----
7	Nozzle Ass'y, Check Valve	A007129	A007129	A007197	A007197	A007027	A007027	A007027
8	Shaft Ass'y, Throttle	A011087	A011203	A011203	A011203	A011037	A011037	A011037
9	Lever, Throttle	-----	-----	-----	-----	-----	-----	-----
10	Spring, Throttle Return	0013040	0013040	0013040	0013040	0013020	0013020	0013020
11	Spring, Choke Return	-----	0013086	0013086	0013086	0013021	0013021	0013021
12	Valve, Throttle	0014030	0014030	0014030	0014030	0014019	0014025	0014025
13	Diaphragm Ass'y, Metering	★● A015013	★● A015013	★● A015013	★● A015013	★● A015013	★● A015013	★● A015013
14	Diaphragm, Pump	★● 0015048	★● 0015048	★● 0015040	★● 0015040	★● 0015046	★● 0015046	★● 0015048
15	Gasket, Metering Chamber	★● 0016042	★● 0016042	★● 0016042	★● 0016042	★● 0016042	★● 0016042	★● 0016042
16	Gasket, Pump	★● 0016025	★● 0016025	★● 0016032	★● 0016032	★● 0016025	★● 0016025	★● 0016032
17	Cover Ass'y, Pump	A017016	A017016	A017016	A017016	A017008	A017008	A017008
18	Cover, Pump	-----	-----	-----	-----	-----	-----	-----
19	Valve, Inlet Needle	★ 0018004	★ 0018004	★ 0018004	★ 0018004	★ 0018004	★ 0018004	★ 0018004
20	Spring, Metering Lever	★ 0019014	★ 0019014	★ 0019009	★ 0019009	★ 0019012	★ 0019012	★ 0019012
21	Lever, Metering	★ 0020012	★ 0020012	★ 0020012	★ 0020012	★ 0020012	★ 0020012	★ 0020012
22	Pin	★ 0021001	★ 0021001	★ 0021001	★ 0021001	★ 0021001	★ 0021001	★ 0021001
23	Cover, Metering Chamber	0028012	0028012	0028012	0028044	0028012	0028012	0028018
24	Spring, Adjust Screw	0029001	0029001	0029035	0029032	0029005	0029005	0029005
25	Spring, Adjust Screw	-----	-----	-----	-----	-----	-----	-----
26	Screw, Main Mixture	0030063	0030063	0030207	0030207	0030027	0030026	0030026
27	Screw, Idle Mixture	0031062	0031062	0031210	0031210	0031027	0031032	0031032
28	Screw, Throttle Adjust	0035026	0035026	0035075	0035075	0035014	0035014	0035014
29	Piece, Friction	0036001	0036001	0036001	0036001	0036002	0036002	0036001
30	Spring, Friction	0038001	0038001	0038001	0038001	-----	-----	-----
31	Shaft Ass'y, Choke	A041036	A041096	A041096	A041096	A041012	A041012	-----
32	Valve, Choke	0043009	0043009	0043009	0043009	0043012	0043012	0043022
33	Post	0045004	0045043	0045043	0045043	-----	-----	-----
34	Boot	0051005	0051005	-----	-----	-----	-----	-----
35	Collar	-----	-----	-----	-----	-----	-----	-----
36	Plunger	-----	-----	-----	-----	-----	-----	-----
37	Spring (Plunger Return)	-----	-----	-----	-----	-----	-----	-----
38	Screw (Pin)	14803006	14803006	14803006	14803006	14803006	14803006	14803006
39	Screw (Throttle Valve)	156030045	156030045	156030045	156030045	156030055	156030055	156030055
40	Screw (Choke Valve)	-----	-----	-----	-----	156030045	156030045	156030045
41	Screw (Post)	-----	-----	-----	-----	-----	-----	-----
42	Screw (Metering Cover)	17203006	17203006	17203006	17203006	17103007	17103007	17103007
43	Screw (Pump Cover)	17004010	17004010	17004010	17004010	17004010	17004010	17004010
44	Screw (Throttle Lever)	-----	-----	-----	-----	-----	-----	-----
45	Ball, Steel	19290030	19290030	19290030	19290030	-----	-----	-----
46	E-Ring (Throttle Shaft)	-----	-----	19500030	19500030	19500030	19500030	19500030
47	E-Ring (Choke Shaft)	19500030	19500030	-----	-----	19500025	19500025	19500024
48	E-Ring (Post)	19500040	19500040	19500040	19500040	-----	-----	-----
49	O-Ring (Plunger)	-----	-----	-----	-----	-----	-----	-----
50	Boot (Throttle Adj. Screw)	0051004	0051004	0051027	0051027	-----	-----	-----
51	Lever, Throttle Adjust	-----	-----	-----	-----	-----	-----	-----
52	Screw (Throttle Adj Lever)	-----	-----	-----	-----	-----	-----	-----
53	Limitter, Mixture (H)	-----	-----	0061025	0061025	-----	-----	-----
54	Limitter, Mixture (L)	-----	-----	0061026	0061026	-----	-----	-----
55	Washer (Limitter)	-----	-----	-----	-----	-----	-----	-----
56	Retainer (Limitter)	-----	-----	0009028	0009028	-----	-----	-----
57	Lever, Choke	-----	-----	-----	-----	-----	-----	-----
58	Washer (Pump)	-----	-----	0026014	0026014	-----	-----	-----
59	Retainer (Thermostat)	-----	-----	-----	-----	-----	-----	-----
60	Washer (Retainer, Thermostat)	-----	-----	-----	-----	-----	-----	-----
61	Collar, Choke Shaft	-----	-----	-----	-----	-----	-----	-----
62	Screw, Collar Choke Shaft	-----	-----	-----	-----	-----	-----	-----
63	Washer, Post	-----	0026037	0026037	0026037	-----	-----	-----

