



Ingersoll

[HOME](#)

[TRACTORS](#)

**WOODS
MODEL 7500
BACKHOE PARTS CATALOG**

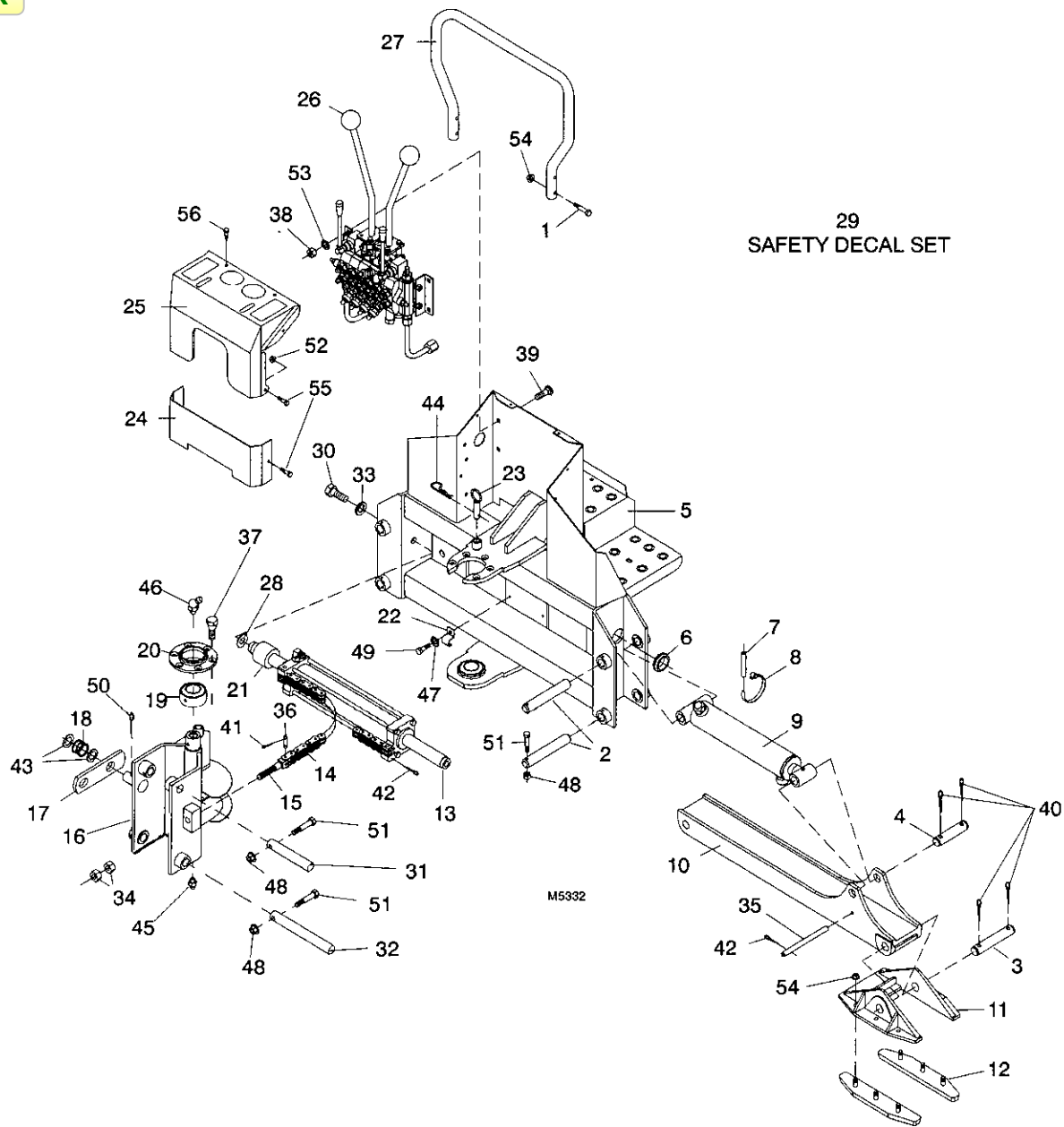


INDEX

MAIN FRAME ASSEMBLY	2
DIPPERSTICK ASSEMBLY.....	4
BOOM ASSEMBLY.....	5
VALVE CONTROLS & HARDWARE	5
CONSOLE VALVE	6
SWING CYLINDER.....	6
HYDRAULIC CYLINDER ASSEMBLY	7
HOSES & FITTINGS.....	8

IMPORTANT

Backhoe sub frame parts and hydraulic hoses and related components are not included in parts list. Consult the Tractor parts catalog for those numbers.



29
SAFETY DECAL SET

M5932

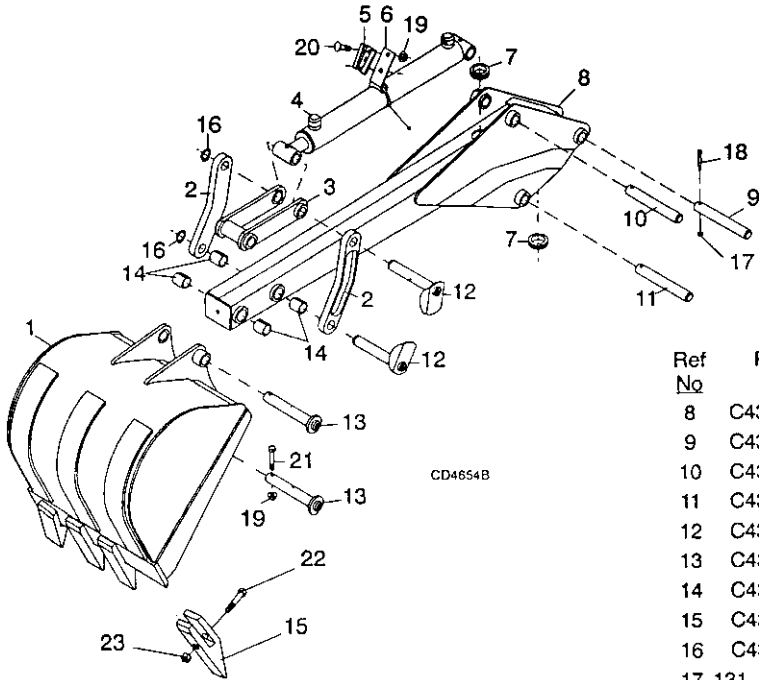
MODEL 7500 MAIN FRAME ASSEMBLY

Ref No	Part No	No	Description	Ref No	Part No	No	Description
1	113_209*	uar	3/8 NC x 1—1/2 Hex head cap screw GR5	33	192-27 *	uar	3/4 Standard lock washer
2	C31704	uar	1" x 5.92" x 6.31 Drilled	34	129-107*	uar	5/8NC Hexnut
3	C43702	uar	1" x 5.84" grooved pin	35	C43699	uar	.50 x 4.45 Headless pin
4	C43701	uar	1" 3.88, grooved pin	36	C31718	uar	Chain pin
5	C43777	1	Main frame	37	C31813	uar	7/16 NF x 1-1/4 Wheel bolt
6	C43778	2	Rubber grommet	38	129-103*	uar	3/8 NC Hex nut plated
7	C31 708	2	Hose protector shield	39	111-342 *	uar	3/8 NC x 1 Carriage bolt GR5
8	C43779	2	2-1/2" — 3-1/2" Hose clamp	40	C43695	uar	3/16 x 1-1/2 Cotter pin
9	C43780	2	Hydraulic cylinder, double-acting 2-1/2 x 11 (see breakdown on page 41)	41	132-330 *	uar	3/32 x 1/2 Cotter pin
10	C43781	2	Machined stabilizer arm	42	O/L*	uar	3/32 x 1-1/2 Cotter pin
11	C43782	2	Machined stabilizer pad	43	C31720	uar	10 GA x 1 Bushing
12	C43783	4	Stabilizer rubber pad	44	C43696	uar	3/16 Safety pin
13	C43784	1	Hydraulic cylinder, double-acting, 2.50 x 10.63 (see page 40)	45	219-10*	uar	1/4-28 Tapered thread grease fitting
14	C31 696	2	Swing Chain	46	C43697	uar	45° 1/4 Tapered thread grease fitting
15	C31 697	2	Chain tension bolt	47	192-19 *	uar	1/4 Standard lock washer
16	C43785	1	Backhoe swing frame	48	131_1102*	uar	1/4NC Hexlocknut
17	C43786	1	Link - .38 x 2.0 x 7.1	49	113-3*	uar	1/4NCx3/4Hexheadcap screw GR5
18	C31701	1	Spring - Compression 1.19 x .07 x.627	50	O/L*	uar	1/4x1-1/2Cotterpin
19	C31806	2	1-1/2 ID Ball bushing	51	C43698	uar	1/4 NC x 2-1/4 Hex head cap screw GR8
20	C31698	1	Cap weld assembly - King-post	52	131—911	uar	5/16 NC Flange locknut
21	C43787	2	Bumper - 1.25 x 2.25 x 1.75	53	192—21 *	uar	5/16 Standard lock washer
22	C31 706	2	Hose clamp	54	131—933	uar	3/8 NC Flange hex locknut
23	C43788	1	.62 x 3.31 Swing lock pin	55	111—202	uar	5/16NCx3/4Hexheadcap screw GR5
24	C43789	1	14GAx5.13x12.gCover	56	187—1069	uar	.31 x .75 Sheet metal screw
25	C43790	1	Ingersoll console cover				
26		1	Control valve assembly (see index)				
27	C43691	1	1.05x 13.3x 15.5 Handle				
28	C31719	uar	13/16" x 0.010 shim washer				
29	C43692	1	Safety decal set				
30	C43700	uar	3/4" NC x 1.5 bolt				
31	C43693	1	Pin				
32	C43694	1	Pin				

* Obtain Locally

INDEX

MODEL 7500 DIPPERSTICK ASSEMBLY



Ref No	Part No	No Used	Description
8	C43712	1	Dipperstick
9	C43713	1	Retaining pin
10	C43714	1	Retaining pin
11	C43694	1	Retaining pin
12	C43715	2	1.0 x 5.81 Clevis pin
13	C43716	2	1.0 x 5.77 Clevis pin
14	C43717	4	Tension bushing
15	C43718	var	Tooth shank
16	C43695	var	External retaining ring
17	131-1102	var	1/4 NC Hex locknut

HARDWARE

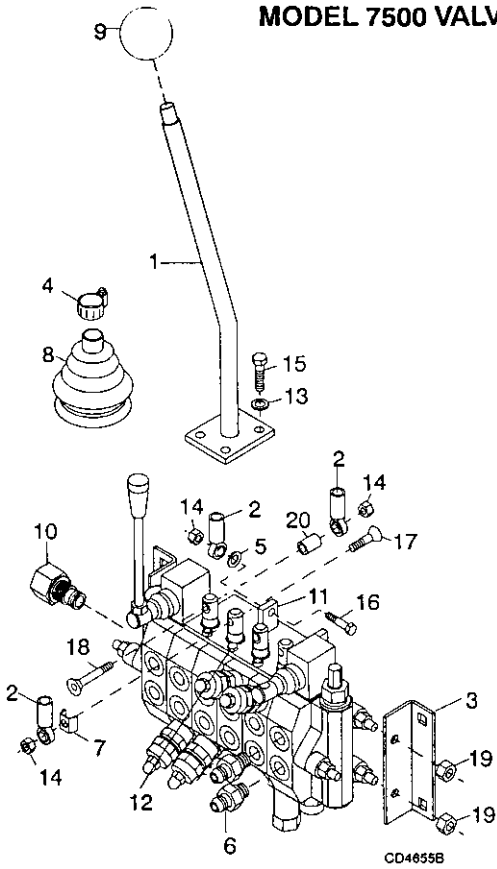
Ref No	Part No	No Used	Description
1	C43703	1	8" MODEL 7500 Bucket -or-
1	C43704	1	12" MODEL 7500 Bucket -or-
1	C43705	1	16" MODEL 7500 Bucket -or-
1	C43706	1	18" MODEL 7500 Bucket -or-
1	C43707	1	24" MODEL 7500 Bucket
2	C43708	2	1.00 Dia. x 9.00 Guide link
3	C43709	1	Bucket link
4	C43710	1	Bucket cylinder (see page 41)
5	N/A	1	Socket SMV emblem
6	N/A	1	SMV Socket bracket
7	C43711	2	Grommet

Ref No	Part No	No Used	Description
18	O/L	var	1/4 NC x 2-1/2 HHCS GR8
19	131-911	var	5/16 NC Fling hex locknut
20	111-202	var	5/16 NC x 3/4 Carriage bolt
21	131-111*	var	5/16 x 2-1/2 Hex head cap screw GR5
22	C43719	var	7/16 MC x 1-3/4 Hex head cap screw GR5
23	C43720	var	7/16 NC Hex locknut

A/R - As Required
* Obtain Locally

INDEX

MODEL 7500 VALVE CONTROLS & HARDWARE



Ref No	Part No	No Used	Description
1	C43721	2	Control handle
2	C43722	6	5/16 NF Female rod end
3	C43723	2	Valve mounting bracket
4	C32376	var	.63 - .69 Hose clamp
5	C43733	var	.328 x .50 x .093 Washer
6	C31772	12	9/16-18 To O-Ring connector
7	C43724	2	16 GA x .36 x .67 x .63 Clip
8	C43725	2	Rubber control boot
9	C43726	2	1.88 Dia. x 1/2 NC Knob
10	C43727	1	Power-Beyond sleeve
11	C43728	1	Valve linkage mount

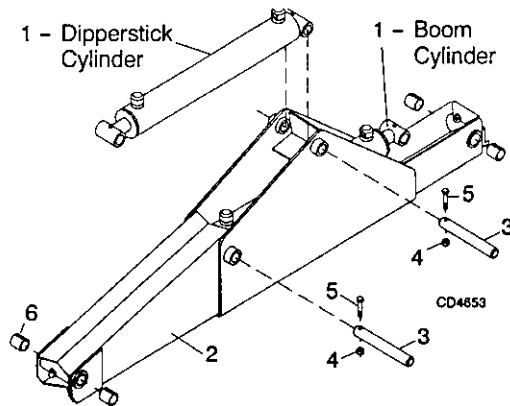
HARDWARE

Ref No	Part No	No Used	Description
12	C43729	var	5mm x .8P x 12mm Hex head cap screw
13	192-20*	var	5/16 Standard lockwasher
14	131-176*	var	5/16 NC Hex locknut
15	O/L*	var	5/16 NF x 3/4 Hex head cap screw GR5
16	113-104*	var	5/16 NC x 1-1/4 Hex head cap screw GR5
17	C43730	var	5/16 NC x 1-1/2 Countersunk head screw
18	C43731	var	5/16 x 2 Countersunk head screw
19	C31759	var	8mm x 1.25P Hex nut
20	C43732	var	.328 x .463 x .716 Sleeve

* Obtain Locally

INDEX

MODEL 7500 BOOM ASSEMBLY



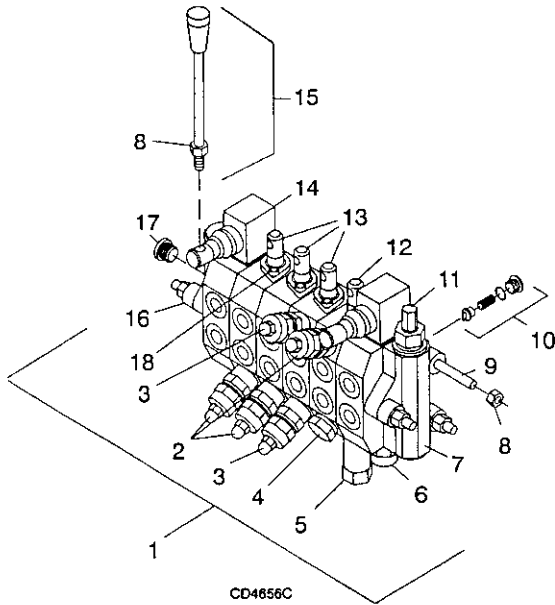
Ref No	Part No	No Used	Description
1	C43734	2	Double acting hydraulic cylinder (see page 41)
2	C43735	1	Boom
3	C31704	2	Pivot pin
4	131-1102*	2	1/4 NC Hex locknut
5	C43698	1	1/4 NC x 2-1/4 Hex head cap screw GR5
6	C43717	4	1 x 1-1/4 x 1-1/2 Tension bushing

* Obtain Locally

INDEX

MODEL 7500 CONSOLE VALVE

20 - SECTION SEAL KIT
21 - SPOOL SEAL KIT

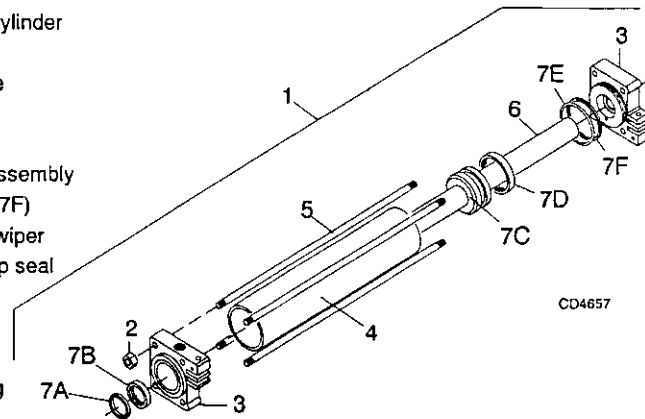


Ref No	Part No	No Used	Description
1	C43736	1	Control valve assembly
2	C31753	3	Dampening valve 2500 psi
3	C43737	2	relief valve/anit-cav 2100 psi
4	C43738	1	Plug, Port relief cavity
5	C31755	1	Spool position control
6	C31757	5	Spool position control
7	C43739	1	Valve inlet section
8	C31759	8	8mm x 1.25P Hex nut
9	C31760	3	8mm x 1.25P x 276mm Hex head cap screw
10	C31751	6	Check valve assembly
11	C43740	1	Relief valve assembly
12	C43791	1	Boom section without relief
13	C43792	5	Valve spool section without relief
14	C43793	2	Stabilizer control
15	C43794	2	Control handle - Stabilizer
16	C43795	1	Outlet section with plug
17	C43796	1	Plug, 3/4 SAE M with O-ring
18	C43729	8	5mm x .8P x 12mm Hex head cap screw
20	C31750	7	Section seal repair kit
21	C31758	6	Spool repair kit

MODEL 7500 SWING CYLINDER

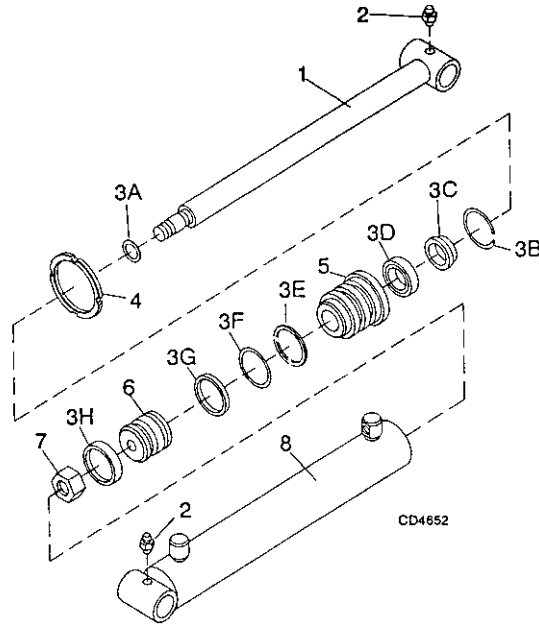
INDEX

Ref No	Part No	No Used	Description
1	C43784	1	Double acting hydraulic cylinder
2	131-1129*	8	7/16 NC Hex nut
3	C43797	2	2-1/2 OD x 1-1/4 ID Guide
4	NSS	1	Cylinder tube
5	C31779	4	.385 Dia. x 16 Tie rod
6	C43798	1	1-1/4 x 2-1/2 Piston rod assembly
7	C43799	1	Seal kit (includes 7A thru 7F)
7A	**	2	1-1/4 ID x 1-1/2 OD Rod wiper
7B	**	2	1-1/4 x 1-5/8 x 5/16 U-Cup seal
7C	**	1	3/4 x 7/8 O-Ring
7D	**	1	2-1/2 Piston seal
7E	**	2	2-1/4 x 2-1/2 O-Ring
7F	**	2	2-1/4 x 2-1/2 Back-up ring



* Obtain Locally
** Included in Seal Kit
† Not serviceable

INDEX



2" CYLINDER

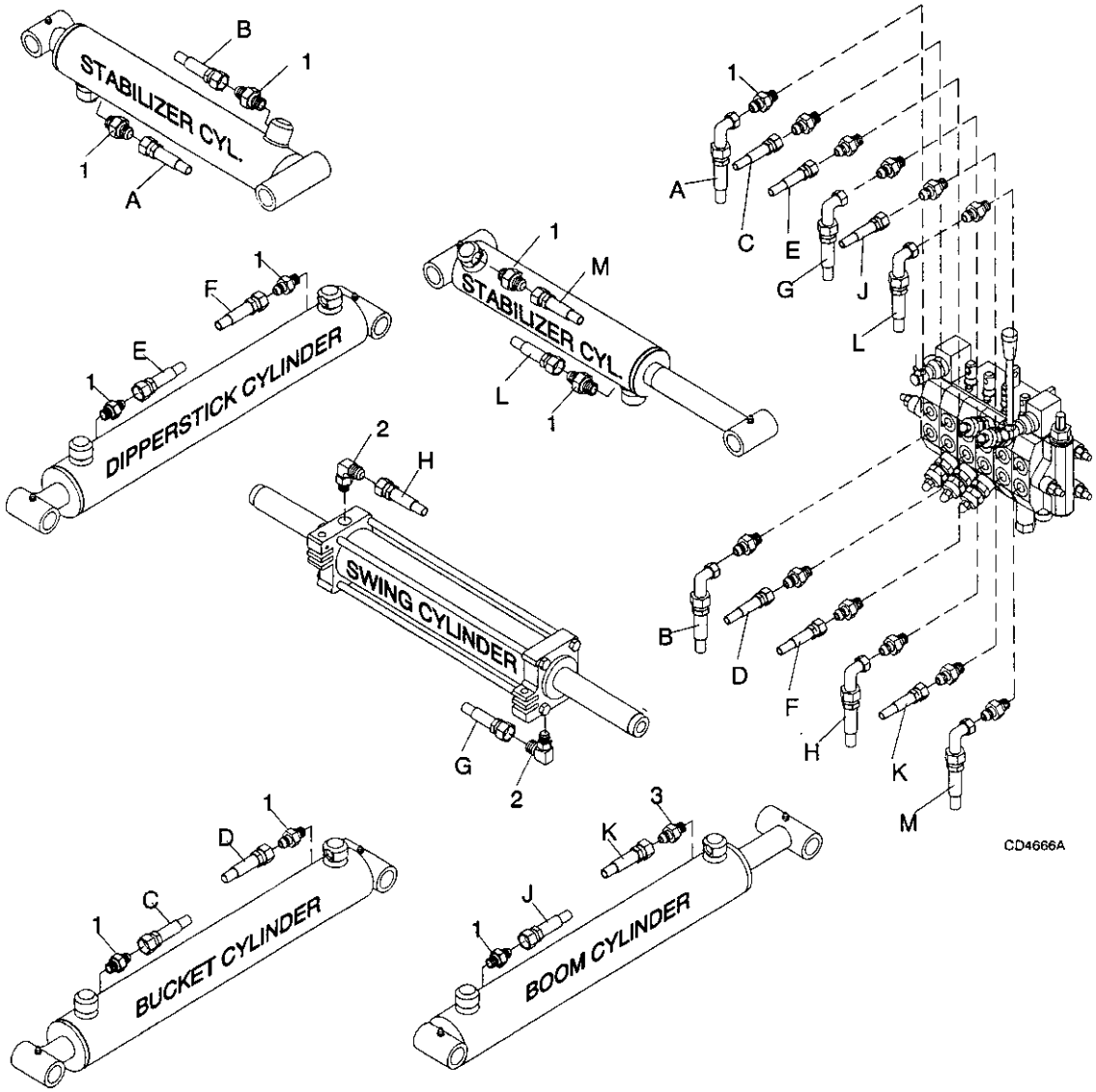
Ref No	Part No	No Used	Description
-	C43710	1	Complete cylinder assembly
1	C43800	1	Piston rod
2	NSS	2	Grease fitting
3	C43801	1	Seal kit (includes 3A - 3H)
3A	NSS	1	5/8 x 3/4 O-Ring
3B	NSS	1	2 Internal retaining ring
3C	NSS	1	1-1/4 Wiper ring
3D	NSS	1	1-1/4 x 1-1/2 x 1/4 Seal
3E	NSS	1	1-13/16 x 2 Backup ring
3F	NSS	1	1-13/16 x 2 O-Ring
3G	NSS	1	2 Piston seal
3H	NSS	1	2 x 1/4 x 1/8 Wear ring
4	C43802	1	1/4 x 2-3/8 Spanner nut
5	C43803	1	2" OD x 1-1/4 ID Guide
6	C43804	1	2" OD Piston
7	C43805	1	3/4 NF - 16 Locknut
8	NSS	1	2 ID Cylinder body

2-1/2" CYLINDERS

Ref No	Part No	No Used	Description
-	C43734	-	Cylinder, dipper stick & boom
-	C43780	-	Cylinder, stabilizer
1	C43806	1	Piston rod (Dipperstick & boom)
1	C43807	1	Piston rod (Stabilizer)
2	NSS	2	Grease fitting
3	C43808	1	Seal kit (includes 3A - 3H)
3A	NSS	1	3/4 x 7/8 O-Ring
3B	NSS	1	2-1/2 Internal retaining ring
3C	NSS	1	1-1/4 Wiper ring
3D	NSS	1	1-1/4 x 1-5/8 x 5/16 U-Cup-seal
3E	NSS	1	2-1/4 x 2-1/2 Backup ring
3F	NSS	1	2-1/4 x 2-1/2 O-Ring
3G	NSS	1	2-1/2 Piston seal
3H	NSS	1	2-1/2 x 1/4 x 1/8 Wear ring
4	C43809	1	1/4 x 2-7/8 Spanner nut
5	C43810	1	2-1/2 OD x 1-1/4 ID Guide
6	C43811	1	2-1/2 OD Piston
7	C31789	1	7/8 NF - 14 Locknut
8	NSS	1	2-1/2 ID Cylinder body

* Obtain Locally

MODEL 7500 HOSES & FITTINGS



CD4666A

Ref No	Part No	No Used	Description
1	C31772	21	9/16 - 18 To O-Ring connector (Yellow)
2	C43813	2	9/16 x 9/16 Swivel elbow
3	C43814	1	Adapter with 3/32 restrictor (Red)
A	C43815	1	Hose-1/4 x 9/16 JICF x 9/16 JICF x 45
B	C43815	1	Hose-1/4 x 9/16 JICF x 9/16 JICF x 45
C	C43816	1	Hose- 5/16 x 9/16 JICF x 9/16 JICF x 107
D	C43816	1	Hose - 5/16 x 9/16 JICF x 9/16 JICF x 107
E	C43817	1	Hose - 5/16 x 9/16 JICF x 9/16 JICF x 82

Ref No	Part No	No Used	Description
F	C43817	1	Hose - 5/16 x 9/16 JICF x 9/16 JICF x 82
G	C43815	1	Hose - 1/4 x 9/16 JICF x 9/16 JICF x 45
H	C43815	1	Hose - 1/4 x 9/16 JICF x 9/16 JICF x 45
J	C43817	1	Hose - 5/16 x 9/16 JICF x 9/16 JICF x 82
K	C43817	1	Hose - 5/16 x 9/16 JICF x 9/16 JICF x 82
L	C43815	1	Hose - 1/4 x 9/16 JICF x 9/16 JICF x 45
M	C43815	1	Hose - 1/4 x 9/16 JICF x 9/16 JICF x 45