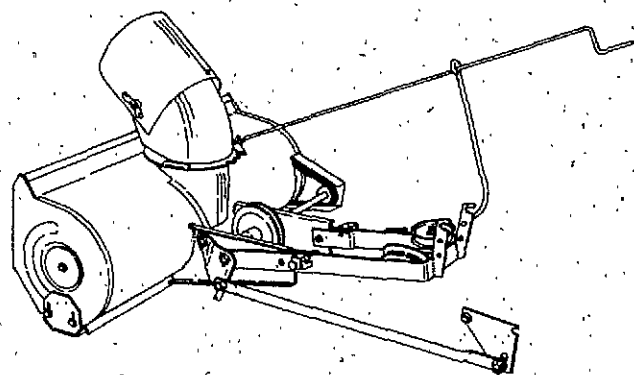


N43, N42, P42, RM42 ROTARY MOWER
 SB38Y, T82, R82, S82 SNOWCASTER
 UB38, L52, M52 UTILITY BLADE
 BG42, B97, B96SA BAGGER
 Parts Catalog 8-2982

NOTE: This catalog replaces
 catalog 8-2981

6-92-RP-500-217



Snowcaster

ATTACHMENT APPLICATION CHART

TRACTOR	ATTACHMENT					
	BG42 S96SA	RM42 N42 P42	N43	SB38Y R82 S82 T82	UB38 L52 M52	B97
108 PIN 14031940 and after					X	
110 PIN 14032840 and after	X ⁴		X ¹	X	X	X ³
111	X ⁴		X	X	X	X ³
112, 114	X ⁴	X	X	X	X	X ³
116 PIN 14047500 to 14066900	X ⁴	X ²	X ¹	X	X	X ³
116 PIN 1406690 and after	X ⁴	X	X	X	X	X ³
1012, 1014	X ⁴	X	X	X	X	X ³

1. Also requires C29674 cover kit.
2. Also requires C29671 cover kit.
3. To be used with N43 only.
4. To be used with P42 and RM42 only.

INGERSOLL

Ingersoll Equipment Co., Inc.

GENERAL INFORMATION

INDEX

There is an index at the front and rear of this catalog.

The front index is an alphabetical index of the major groups or assemblies.

The rear index is a numerical index of the part numbers and pages on which these numbers are shown.

ILLUSTRATION

Each illustration in this catalog shows a group of parts or components. These parts and components are aligned approximately as the parts and components on your machine. Each part and component in an illustration has a reference number. These reference numbers are in a list on the page opposite of the illustration. Next to the reference number is the part number, description and required quantity of the part shown in the illustration.

UAR - "Use as required" indicates that the part quantity is variable.

NSS - "Not sold separately" indicates that the part is only available as a component of an assembly or the part must be purchased locally. If the part is an assembly component, the description will be indented under the assembly description in the parts list.

O/L - "Obtain locally"

** - "Footnotes" are added to a part number when more information is needed for identification. They only relate to the part numbers indicated.

INDENTED DESCRIPTIONS

An assembly can have many components. The components of an assembly are indicated by an indented description. The quantity for an indented part is the total needed for that complete assembly. See the example.

PARTS ORDERS

All orders must include the following information:

1. Correct part number.
2. Complete description of part or component.
3. Total quantity of each part or component.
4. Product model number.
5. All necessary product identification numbers.
6. Method for sending the parts.
7. Complete and correct address.

CATALOG REVISIONS

As the product changes, new pages will be available for your catalog. A notice will be issued.

IMPORTANT: Put all revisions into the catalog as soon as possible.

RIGHT HAND AND LEFT HAND IDENTIFICATION

The words right hand (RH) and left hand (LH) as used in this catalog indicate the direction while you are in the operator's seat in the normal operating position.

REF.	PART NO.	DESCRIPTION	REQ'D
	C 55159	CYLINDER ASSY - rear steering	1
28	C 56208	SOCKET ASSY - rear cylinder	1
29	C 55956	PLUG - adjusting, socket assy	1
30	C 55957	SEAT - socket ball	2
31	C 56210	SPRING - socket	1
32	C 56209	SEAT - socket spring	1
33	G 45175	CLAMP ASSY - socket assy	1
	16- 836	BOLT - 1/2" x 2-1/4" N.F. hex	1
34	132- 104	PIN - cotter, 3/16" x 3"	1
35	C 55889	STUD - ball, socket & cylinder	2
36	13- 410	BOLT - 1/4" x 5/8" N.C., hex	4
37	92- 4	LOCK WASHER - 1/4" SAE	4

ALPHABETICAL INDEX

BAGGER SECTION	Page	Grid
Baffles (B97)	33	C6
Bagger Assembly (B97)	31	C4
Decals	37	C10
Bagger Assembly (B96SA, BG42)	35	C8

MOWER SECTION

Decals	37	C10
Kits-cover	15	B2
Model N43	5-7	A6-A8
Model N42	9-13	A10-A14
Model P42, RM42	17-23	B4-B10

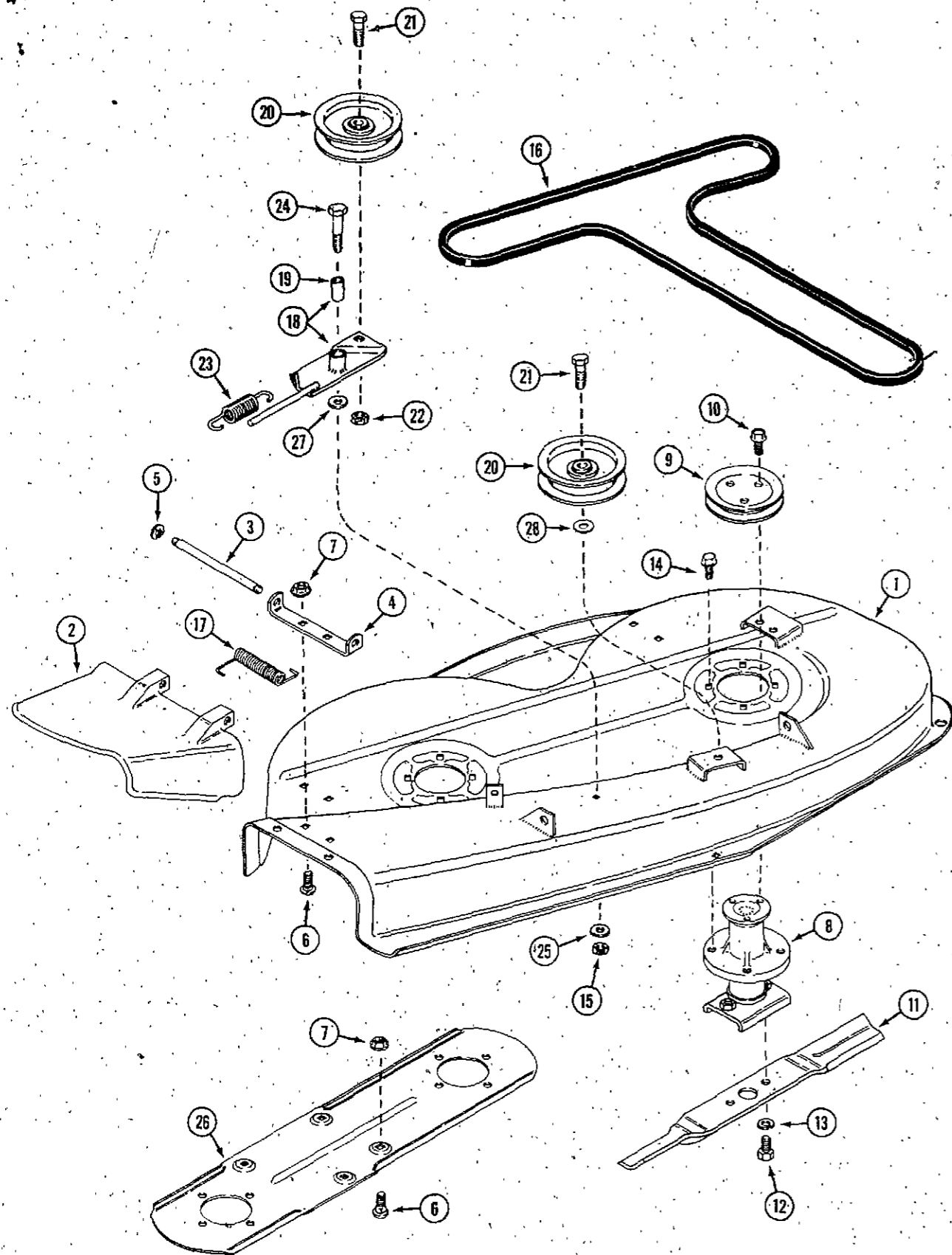
SNOWCASTER SECTION

Auger and Chute Assembly	25	B12
Decals	37	C10
Mounting Components and Drive System	27	B14

UTILITY BLADE SECTION

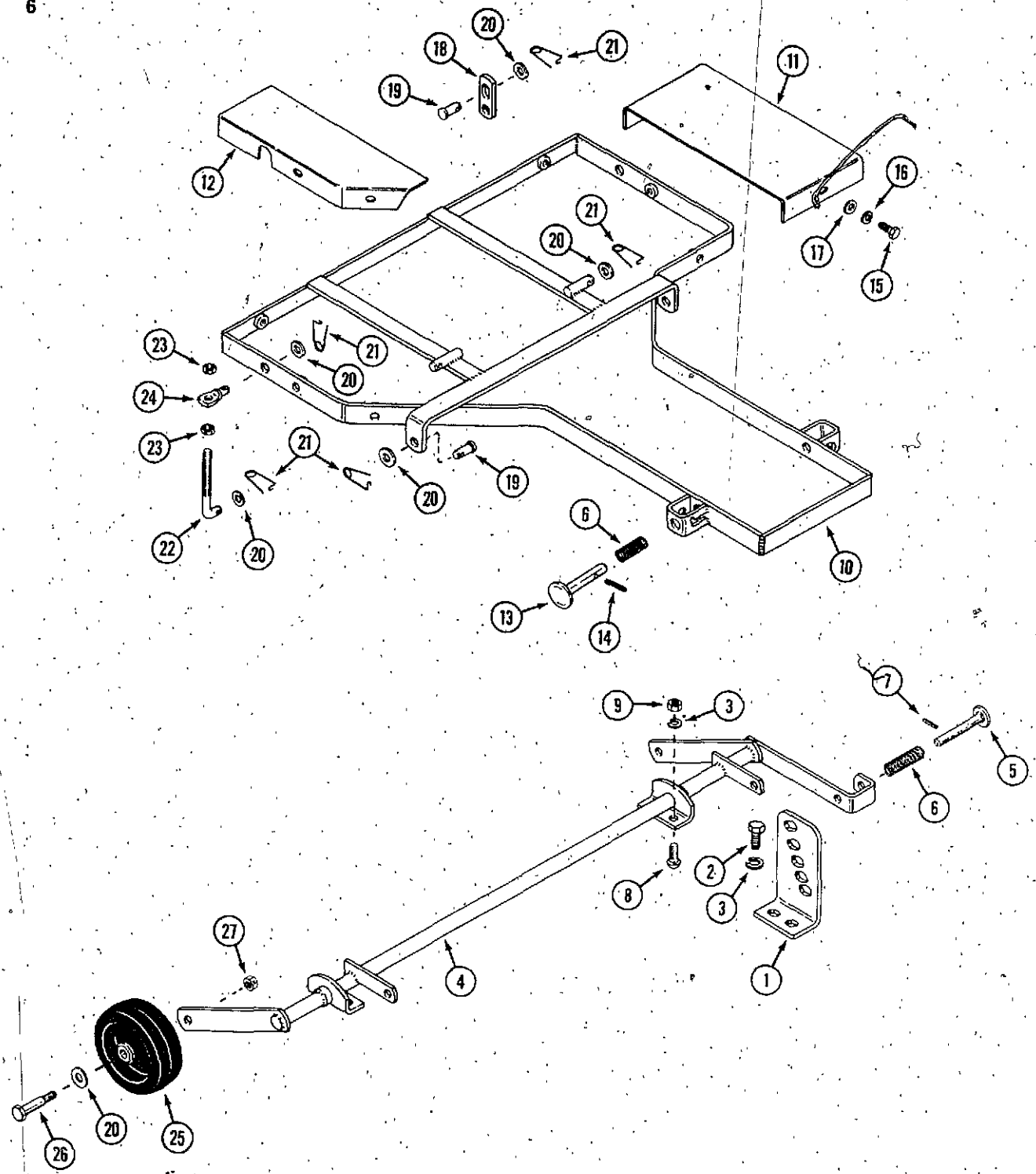
Decals	37	C10
Entire Parts List	29	C2

DECK, BELT, DEFLECTOR AND SPINDLE ASSEMBLY



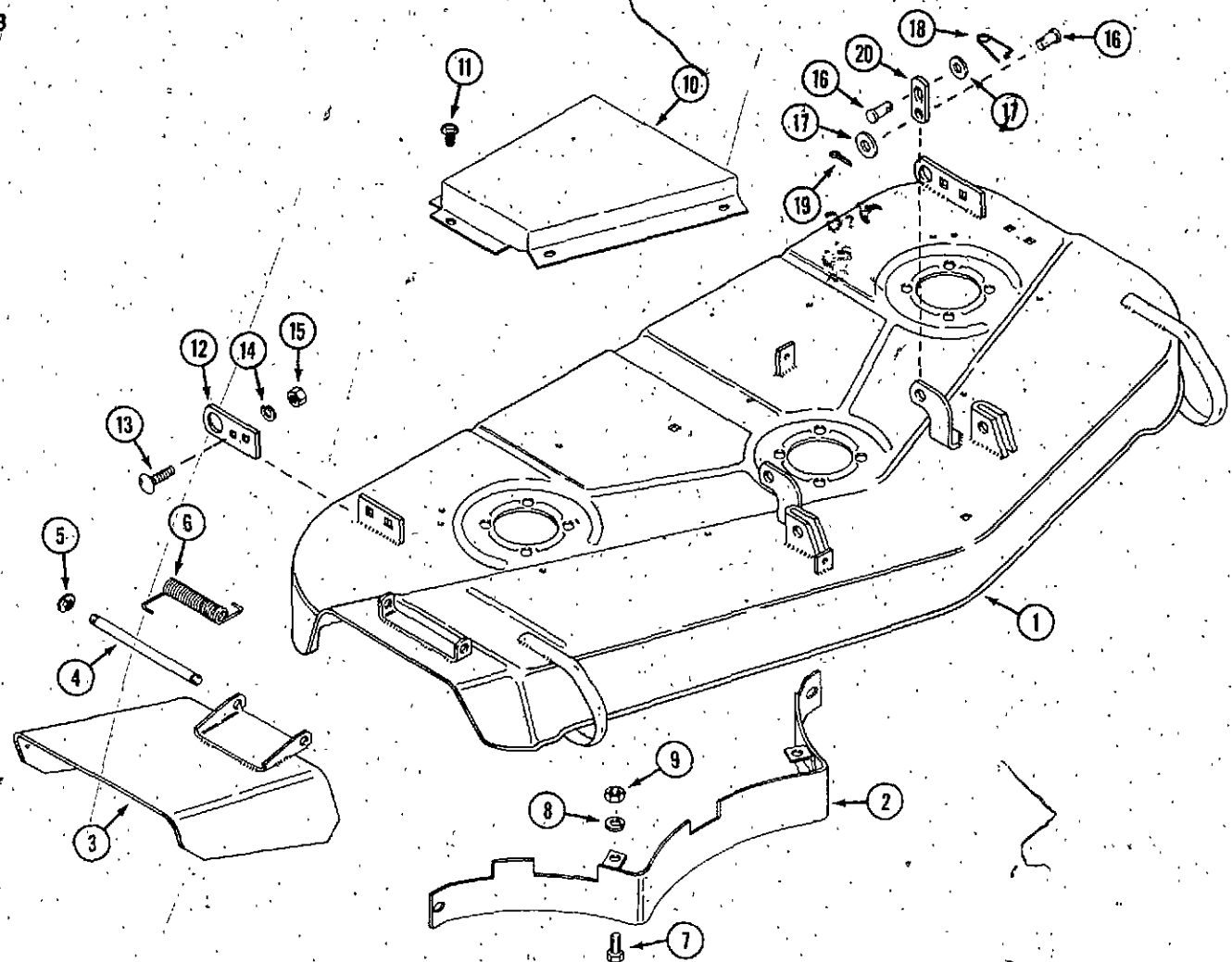
REF.	PART NO.	DESCRIPTION	REQ'D
1	C 29415	DECK - mower 38" (970 mm)	1
2	C 29420	DEFLECTOR - chute	1
3	C 29421	ROD - hinge	1
4	C 29423	BRACKET - hinge	1
5	C 29424	RING - retaining	2
6	111- 132	BOLT - 5/16" x 3/4" carriage	6
7	131- 911	NUT - 5/16" flange lock	6
8	C 29425	SPINDLE ASSEMBLY	2
9	C 30107	PULLEY - spindle	2
10	C 29690	BOLT - 5/16" x 1/2" self-tapping	6
11	C 29427	BLADE - 19.44" (493 mm)	2
12	113- 206	BOLT - 3/8" - 16 x 3/4"	4
13	192- 21	LOCKWASHER - 3/8"	4
14	C 29691	BOLT - 5/16" x 1" self-tapping	8
15	131- 1181	NUT - 3/8" lock	1
16	C 29441	BELT - drive	1
17	C 29422	SPRING - hinge	1
18	C 30385	ARM ASSEMBLY - idler	1
19	C 16714	BUSHING - sleeve	1
20	C 26090	PULLEY - flat	2
21	113- 410	BOLT - 1/2" x 1-1/2"	2
22	131- 1308	NUT - 1/2" lock	1
23	C 14482	SPRING - tension	1
24	C 16745	BOLT - shoulder	1
25	195- 2029	WASHER - 3/8"	1
26	C 29512	PLATE - reinforcement	1
27	C 29812	WASHER - spacer	1
28	195- 533	WASHER - spacer	1

N43 ROTARY MOWER
MOUNTING FRAME AND AXLE



REF.	PART NO.	DESCRIPTION	REQ'D
1	C 29428	BRACKET - height adjust	1
2	113- 118	BOLT - 5/16" x 5/8"	2
3	192- 20	LOCKWASHER - 5/16"	6
4	C 29429	AXLE - rear	1
5	C 20005	PIN - height adjust	1
6	C 10482	SPRING - compression	3
7	138- 96	PIN - roll 3/16" x 1"	1
8	111- 132	BOLT - 5/16" x 3/4" carriage	4
9	129- 102	NUT - 5/16"	4
10	C 29433	FRAME - mounting	1
11	C 29442*	COVER - L.H.	1
12	C 29443*	COVER - R.H.	1
13	C 15278	PIN - latch	2
14	138-2073	PIN - spiral 3/16" x 1-1/4"	2
15	113- 3	BOLT - 1/4" x 3/4"	6
16	195- 518	LOCKWASHER - 1/4"	6
17	192- 19	WASHER - 1/4"	6
18	C 27096	LINK - lift	2
19	C 10821	PIN - clevis	4
20	195- 533	WASHER - 1/2"	12
21	C 10898	PIN - safety	10
22	C 19088	BOLT - "J"	2
23	131-1182	NUT - 1/2" lock	4
24	C 26033	LINK - adjusting	2
25	C 26736	WHEEL - gauge	2
26	C 16745	BOLT - shoulder	2
27	131-1181	NUT - 3/8" - 16 lock	2

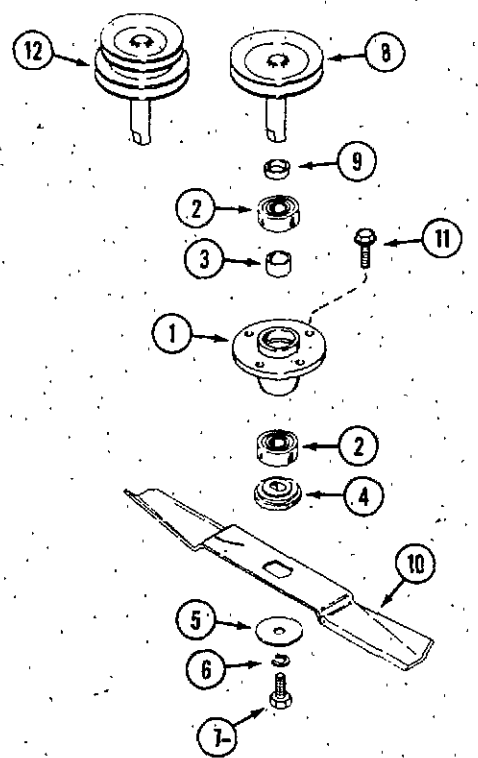
* see page 15 if this mower is used on tractor models 110-all, 116 prior to PIN 14066900



**N42 ROTARY MOWER
MOWER DECK AND CHUTE**

REF.	PART NO.	DESCRIPTION	REQ'D
1	C 29445	DECK - mower 42" (1065 mm)	1
2	C 29449	BAFFLE - blade	1
3	C 29450	DEFLECTOR - chute	1
4	C 29421	ROD - hinge	1
5	C 29424	RING - "E"	2
6	C 29422	SPRING - hinge	1
7	113- 118	BOLT - 5/16" x 5/8"	4
8	192- 20	LOCKWASHER - 5/16"	4
9	129- 102	NUT - 5/16"	4
10	C 29468*	COVER - spindle L.H.	1
10	C 29469*	COVER - spindle R.H. (shown)	1
11	187- 1036	SCREW - 1/4" - 20 self-tapping	10
12	C 15560	BRACKET - axle pivot	1
13	111- 371	BOLT - 3/8" x 1" carriage	2
14	192- 21	LOCKWASHER - 3/8"	2
15	129- 103	NUT - 3/8"	2
16	C 10821	PIN - clevis	4
17	195- 533	WASHER - 1/2"	4
18	C 10898	PIN - safety	2
19	132- 310	PIN - cotter 1/8" x 1"	2
20	C 27096	LINK - lift	2
	C 30786	KIT - discharge baffle	1

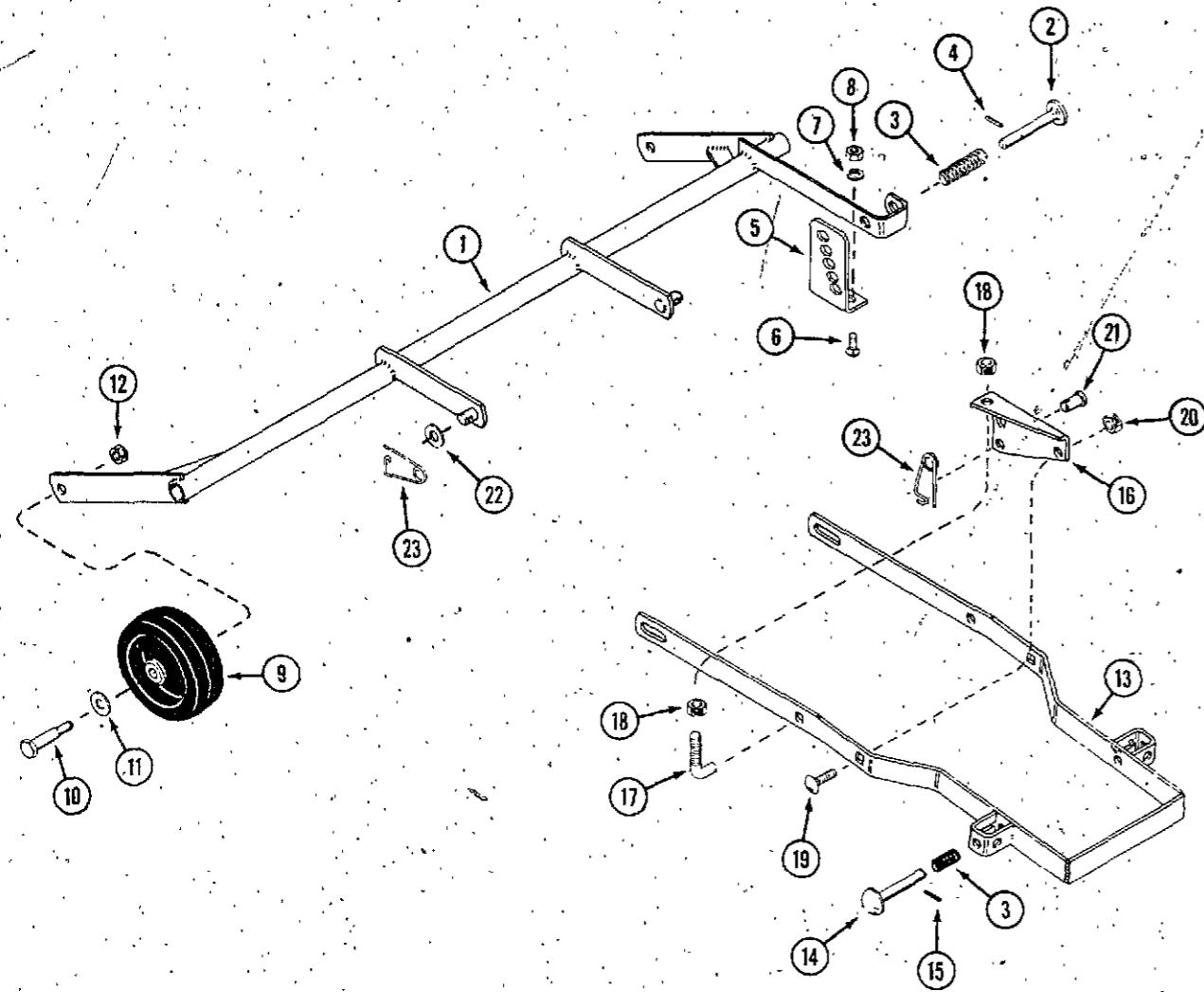
* see page 15 if this mower is used on tractor model 116 prior to PIN 14066900



SPINDLE ASSEMBLY

1	C 30729*	HOUSING - spindle	3
2	C 28971	BEARING - spindle	6
3	C 29453	SPACER - bearing	3
4	C 25542	ADAPTOR - spindle	3
5	C 31452	WASHER	3
6	192- 21	LOCKWASHER - 3/8"	3
7	113- 233	BOLT - 3/8" - 16 x 1-3/4"	3
8	C 30122	SPINDLE - outboard	2
9	C 29431	SPACER - spindle	3
10	C 29464	BLADE - 14-1/2" (370 mm)	3
11	C 29691	SCREW - 5/16" x 1" self-tapping	12
12	C 29466	SPINDLE - center	1
13	131- 938	NUT - 3/8" flange lock	12
14	113- 207	BOLT - 3/8" - 16 x 1"	12

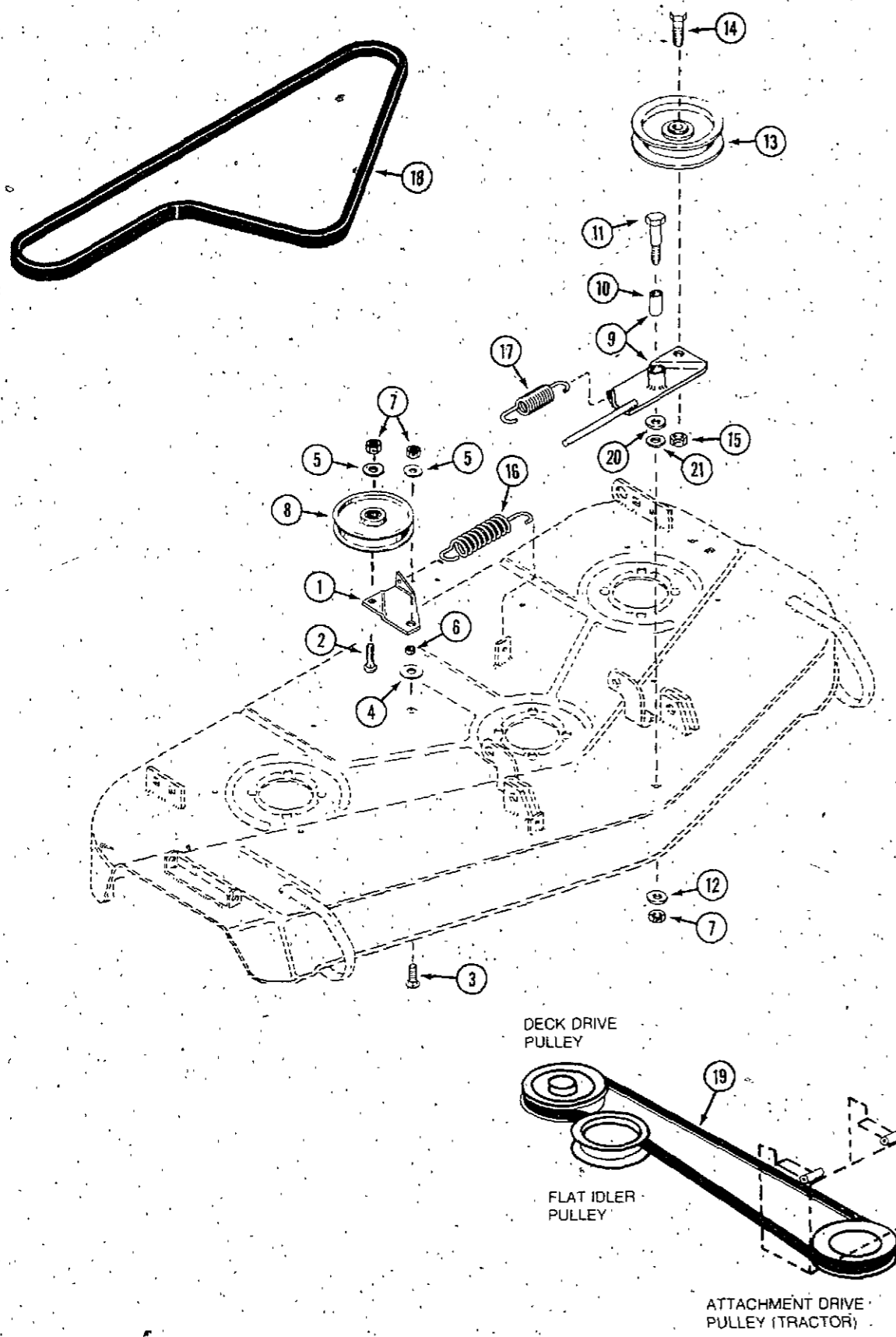
* If original housing had threaded mounting holes also use (4) of 113-207 bolt and (4) of 131-938 lock nut.



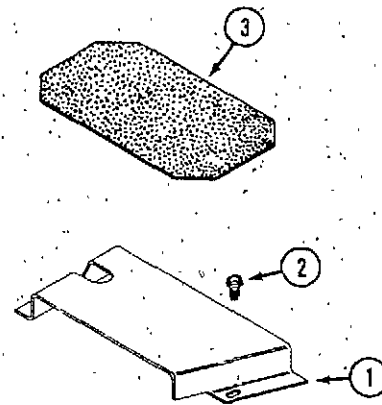
AXLE AND MOUNTING BRACKETS

REF.	PART NO.	DESCRIPTION	REQ'D
1	C 29470	AXLE - rear	1
2	C 20005	PIN - height adjust	1
3	C 10482	SPRING - compression	1
4	138- 96	PIN - roll 3/16" x 1"	1
5	C 26086	BRACKET - height adjust	1
6	111- 132	BOLT - 5/16" - 18 x 3/4" carriage	2
7	192- 20	LOCKWASHER - 5/16"	2
8	129- 102	NUT - 5/16"	2
9	C 26736	WHEEL - gauge	2
10	C 16745	BOLT - shoulder	2
11	195- 533	WASHER - 1/2"	2
12	131-1181	NUT - 3/8" - 16 lock	2
13	C 29473	FRAME - mounting	1
14	C 15278	PIN - latch	2
15	138- 99	PIN - roll 3/16" x 1-3/8"	2
16	C 27118	BRACKET - suspension adjust R.H. (shown)	1
16	C 27119	BRACKET - suspension adjust L.H.	1
17	C 19088	BOLT - "J" suspension adjust	2
18	131-1182	NUT - 1/2" - 13 lock	4
19	111- 517	BOLT - 1/2" - 13 x 1" carriage	2
20	131-1308	NUT - 1/2" lock	2
21	C 10821	PIN - clevis	2
22	195- 533	WASHER - 1/2"	2
23	C 10898	PIN - safety	4

IDLER PULLEYS AND BELTS



REF.	PART NO.	DESCRIPTION	REQ'D
1	C 25080	BRACKET - idler	1
2	111- 366	BOLT - 3/8" - 16 x 1-1/4" carriage	1
3	111- 371	BOLT - 3/8" - 16 x 1" carriage	1
4	195- 105	WASHER - 1/2"	1
5	195- 525	WASHER - 3/8"	2
6	C 14768	SPACER - idler bracket	1
7	131- 1181	NUT - 3/8" lock	3
8	C 12251	PULLEY - idler, deck belt	1
9	C 27109	ARM ASSEMBLY - idler	1
10	C 16714	BUSHING - sleeve	1
11	C 16745	BOLT - shoulder	1
12	195- 2029	WASHER	2
13	C 26090	PULLEY - idler, drive belt	1
14	113- 410	BOLT - 1/2" - 13 x 1-1/2"	1
15	131- 164	NUT - 1/2"	1
16	C 14482	SPRING - idler, deck belt	1
17	C 24321	SPRING - idler, drive belt	1
18	C 22707	BELT - deck	1
19	C 29476	BELT - drive	1
20	195- 533	WASHER - spacer	1
21	C 29812	WASHER - spacer	1

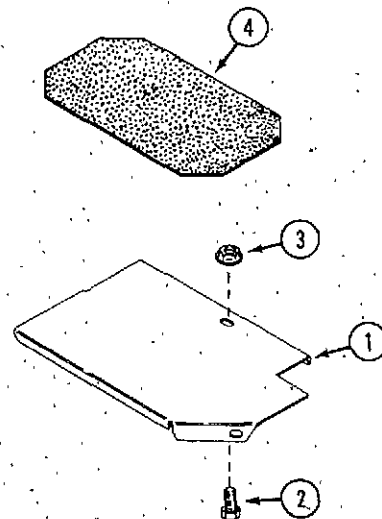


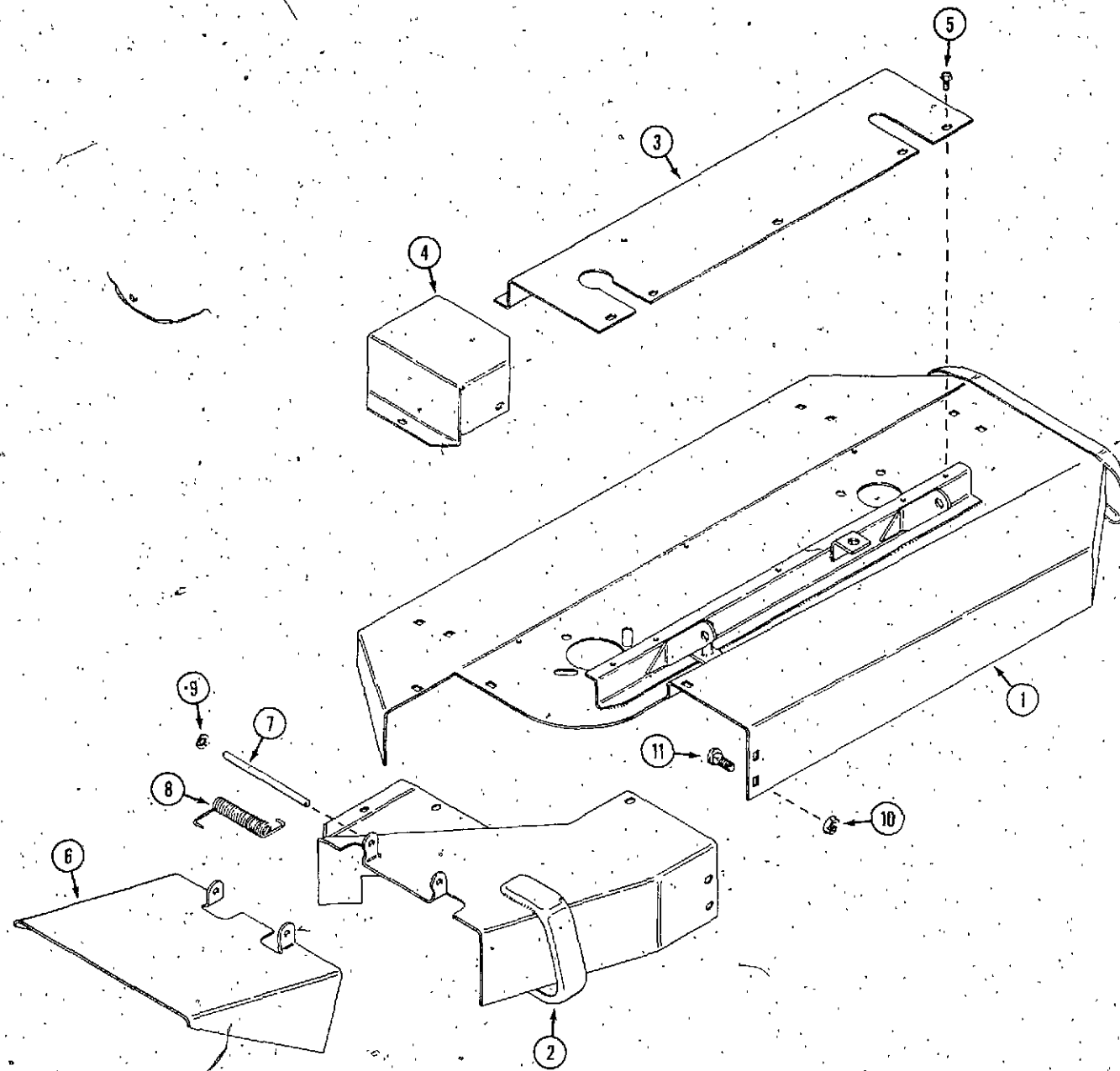
COVER KIT for N42 MOWER
 (If this mower is used on tractor model 116 prior to PIN 14066900)

REF.	PART NO.	DESCRIPTION	REQ'D
	C 29671	KIT - mower cover	1
1	C 29669	COVER EXTENSION - L.H.	1
1	C 29670	COVER EXTENSION - R.H. (shown)	1
2	187-1036	BOLT - 1/4" - 20 self-tapping	2
3	C 26092	PAD - foot rest	2

COVER KIT for N43 MOWER
 (If this mower is used on tractor models 110-all, 116 prior to PIN 14066900)

	C 29674	KIT - mower cover	1
1	C 29672	COVER - L.H.	1
1	C 29673	COVER - R.H. (shown)	1
2	113- 2	BOLT - 1/4" - 20 x 5/8"	2
3	131- 934	NUT - 1/4" 20 flange	2
4	C 26092	PAD - foot rest	2

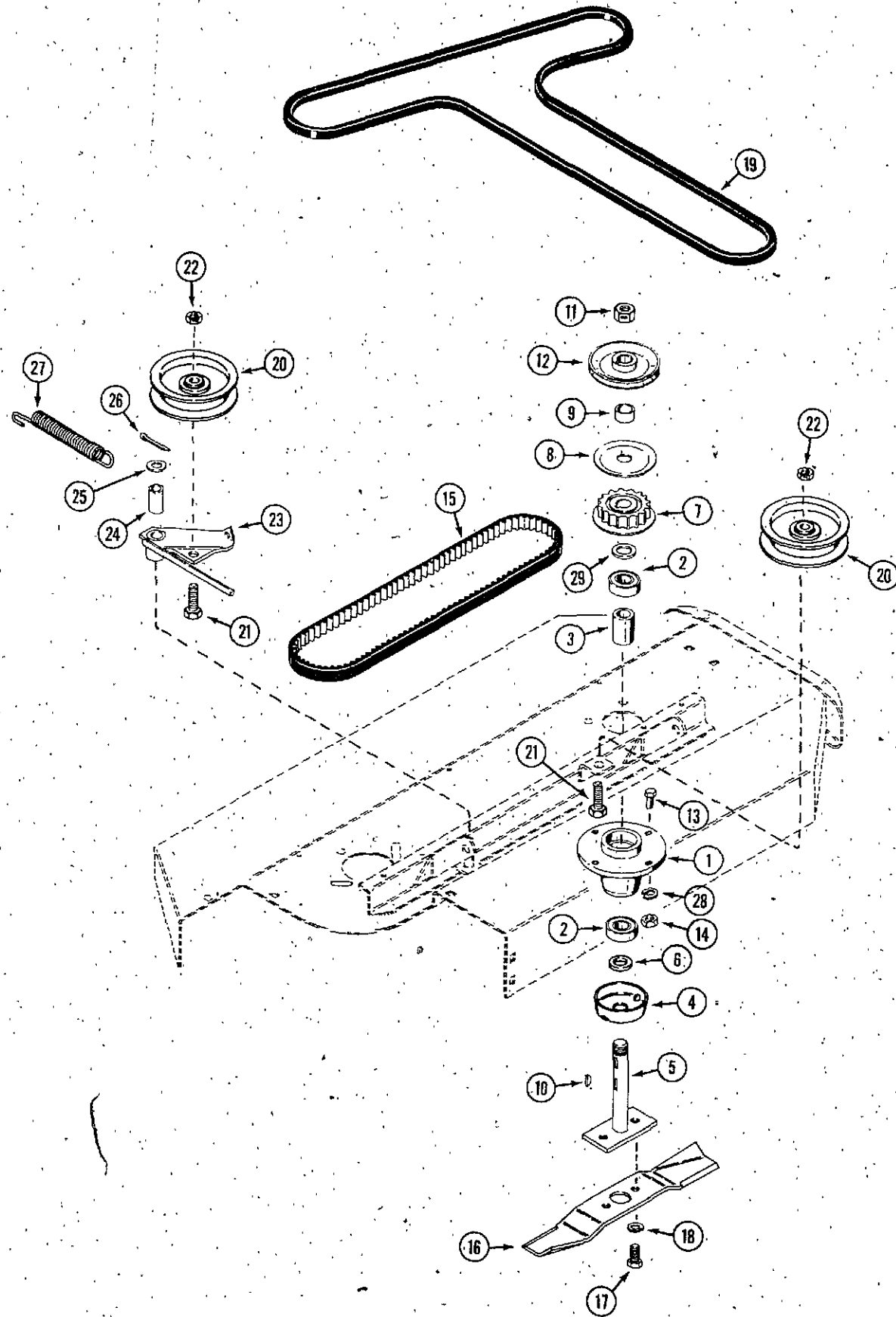




DECK AND CHUTE

REF.	PART NO.	DESCRIPTION	REQ'D
1	C 30715	DECK - mower	1
2	C 30724	CHUTE - mower	1
3	C 30738	COVER - belt	1
4	C 30741	COVER - end, belt	2
5	187- 1036	SCREW - 1/4" x 1/2" self-tap	12
6	C 30744	DEFLECTOR - chute	1
7	C 30766	PIN - hinge	1
8	C 30767	SPRING - hinge	1
9	C 30768	NUT - push	2
10	111- 217	BOLT - 5/16" x 5/8" carriage	6
11	131- 911	NUT - 5/16" flange lock	6

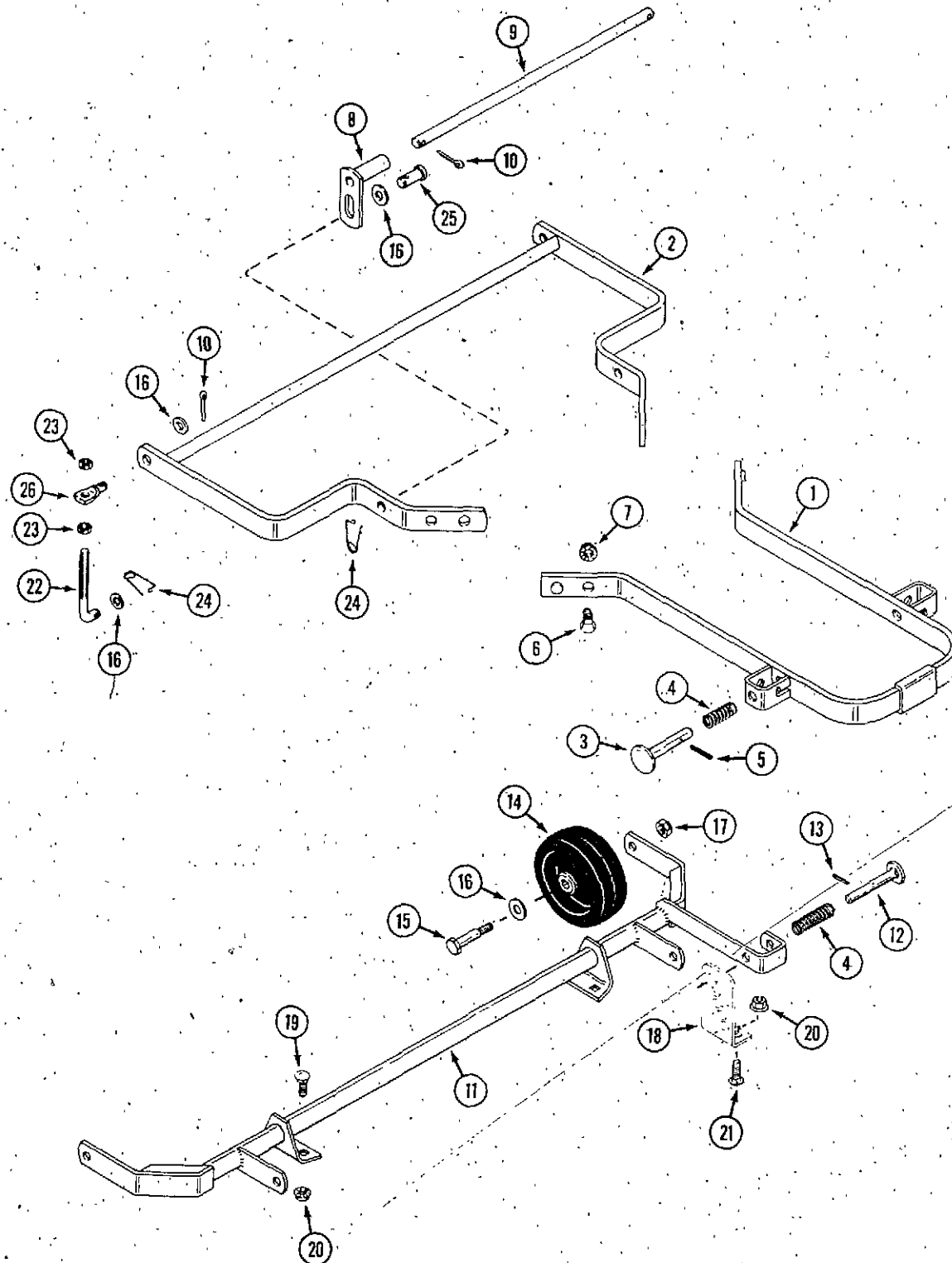
P42 AND RM42 ROTARY MOWER
SPINDLES, BELTS AND PULLEYS



REF.	PART NO.	DESCRIPTION	REQ'D
1	C 30729	HOUSING - spindle	2
2	C 28971	BEARING - spindle	4
3	C 29453	SPACER - bearing	2
4	C 25543	SHIELD - bearing	2
5	NSS	SPINDLE - mower (use C32421 and (2) of 126-13 key)	2
6	C 25541	SPACER - shield	2
7	C 30732	SPROCKET - timing	2
8	C 30733	RETAINER - belt, timing	2
9	C 30734	SPACER - pulley and sprocket	2
10	126- 13	KEY - woodruff 3/16" x 5/8"	4
10	126- 19	KEY - woodruff No. 11 3/16" x 7/8"	4
11	131-1331	NUT - 3/4"	4
12	C 23452	PULLEY - drive	2
13	113- 208	BOLT - 3/8" - 16 x 1-1/4"	4
14	129- 103	NUT - 3/8"	8
15	C 30736	BELT - timing	1
16	C 33275	BLADE - 21-3/8"	2
17	113- 206	BOLT - 3/8" x 3/4" (install with lock tite)	4
18	192- 21	LOCKWASHER - 3/8"	4
19	C 31216	BELT - drive 101.87" (was 99-1/2")	1
20	C 26090	PULLEY - backside idler	2
21	113- 410	BOLT - 1/2" - 13 x 1-1/2"	2
22	131-1182	NUT - 1/2" lock	2
23	C 30746	ARM - idler	1
24	C 16714	BUSHING	1
25	195- 533	WASHER	1
26	132- 310	PIN - cotter 1/8" x 1"	1
27	C 24321	SPRING - tension	1
28	192- 21	LOCKWASHER - 3/8"	8
29	C 28972	WASHER	2

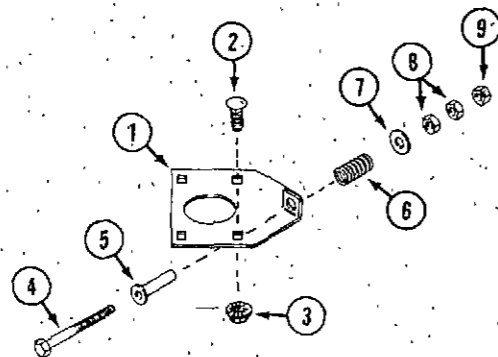
NOTE: Belt is correctly adjusted when you get 3/8" to 1/2" deflection at center of belt with 30 lb. pull.

P42 AND RM42 ROTARY MOWER
MOUNTING BRACKETS AND AXLE



REF.	PART NO.	DESCRIPTION	REQ'D
1	C 30882*	BRACKET - mounting, front	1
2	C 30884*	BRACKET - mounting, rear	1
3	C 15278	PIN - latch	2
4	C 10482	SPRING - compression	3
5	138- 2073	PIN - spiral 3/16" x 1-1/4"	2
6	113- 417	BOLT - 1/2" x 1-1/4"	2
7	131- 930	NUT - 1/2" flange lock	2
8	C 30755	LINK - lift	2
9	C 30758	ROD - lift	1
10	132- 310	PIN - cotter 1/8" x 1"	4
11	C 30759	AXLE - rear	1
12	C 20005	PIN - height adjust	1
13	138- 96	PIN - roll 3/16" x 1"	1
14	C 26736	WHEEL - gauge	2
15	C 16745	BOLT - shoulder	2
16	195- 533	WASHER - 1/2"	8
17	131- 938	NUT - 3/8" - 16 lock flange	2
18	C 31091	BRACKET - height adjust	2
19	111- 132	BOLT - 5/16" x 3/4" carriage	4
20	131- 911	NUT - flange lock 5/16"	6
21	111- 217	BOLT - 5/16" x 5/8" carriage	2
22	C 17686	BOLT - "J"	2
23	131- 930	NUT - 1/2" flange	4
24	C 10898	PIN - safety	4
25	141- 56	PIN - clevis	2
26	C 26033	LINK - adjust	2

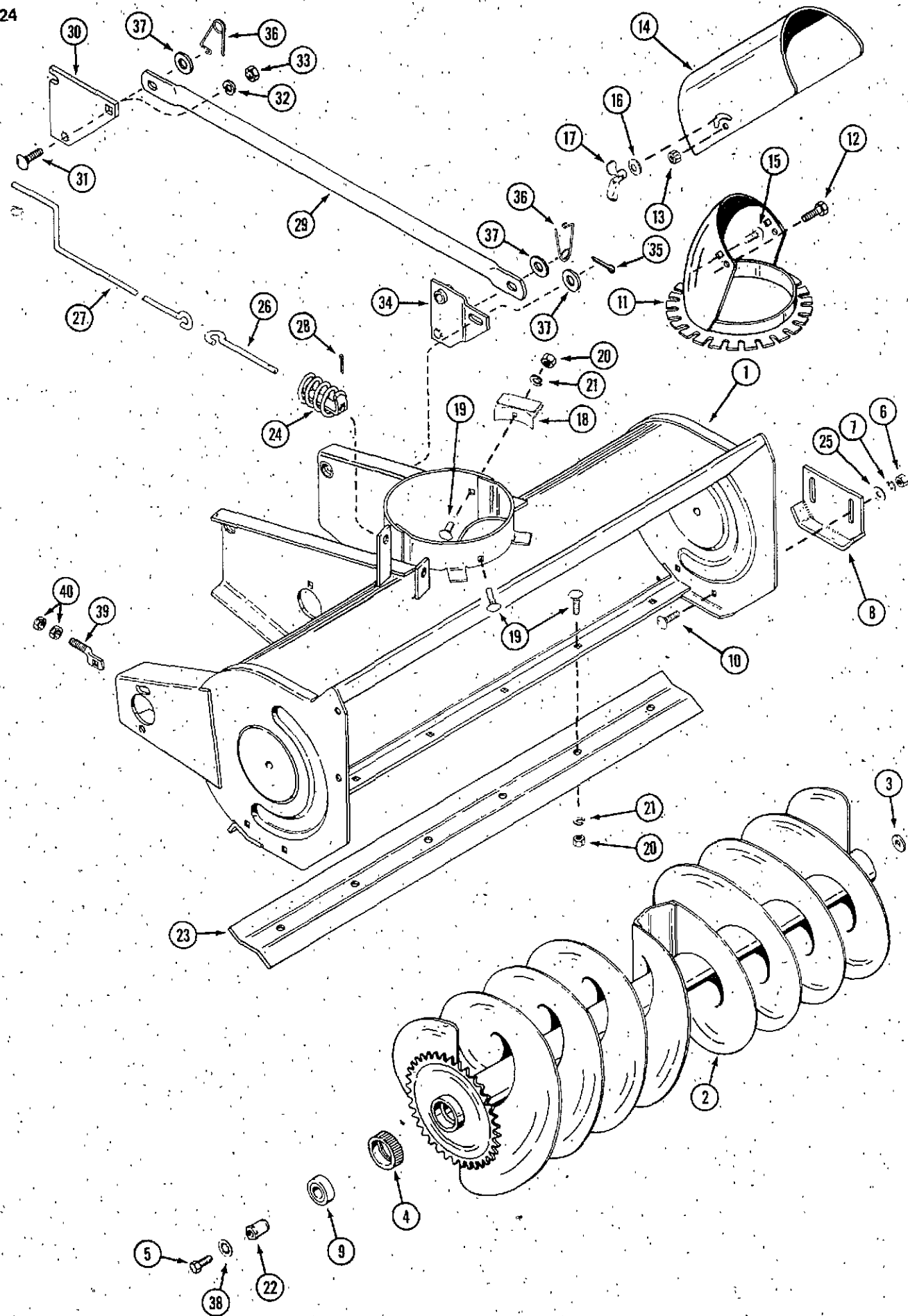
* Use both C30882 and C30884 for service for correct fit if used on P42 mower.



BELT ADJUSTING PLATE

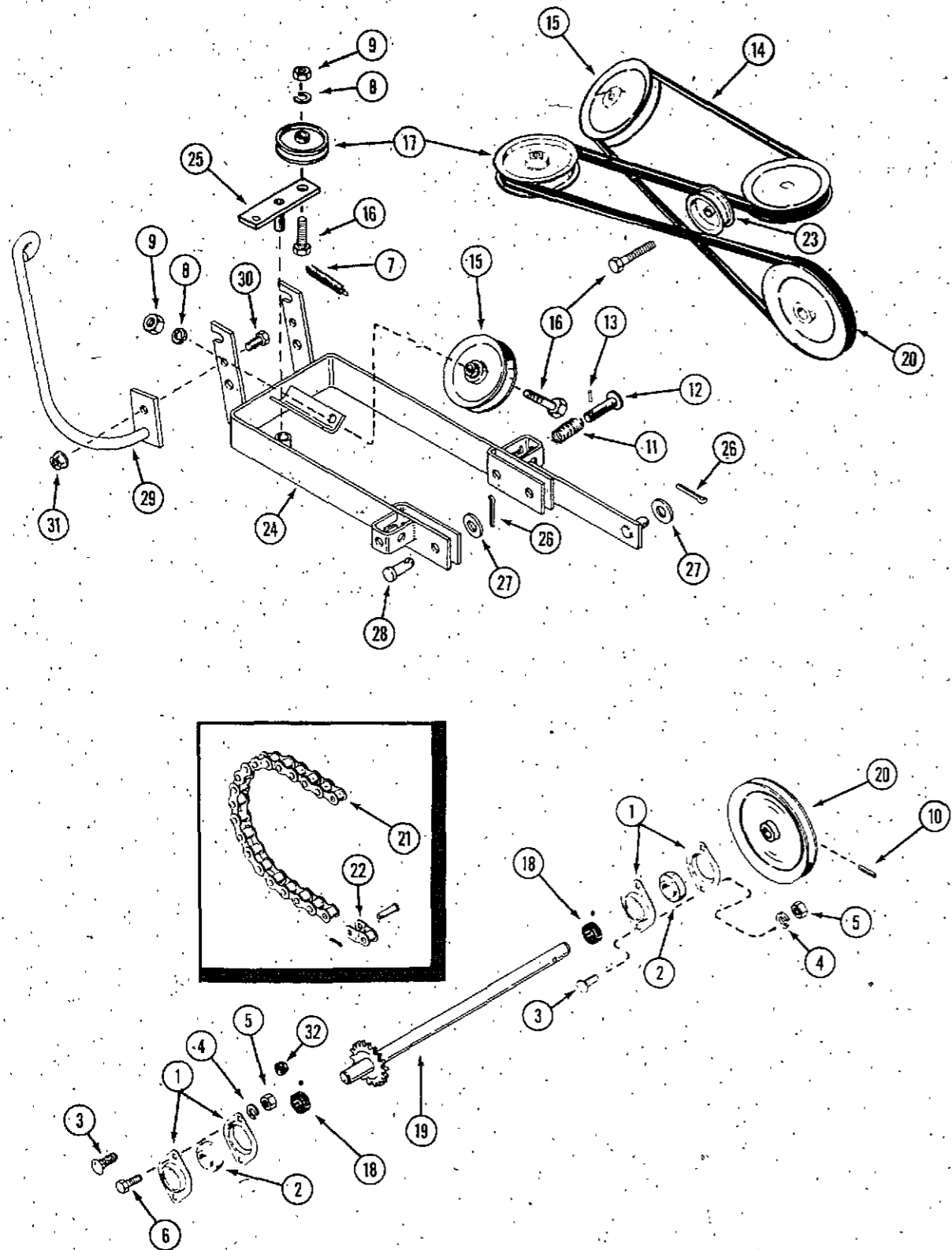
REF.	PART NO.	DESCRIPTION	REQ'D
1	C 30735	PLATE - timing belt adjusting	1
2	111- 366	BOLT - 3/8" - 16 x 1-1/4" carriage	4
3	131- 938	NUT - 3/8" flange lock	4
4	123- 101	BOLT - 5/16" - 18 x 4"	1
5	C 25829	SPACER - sleeve (early production only)	1
6	C 25688	SPRING - compression (early production only)	1
7	195- 520	WASHER - .312" I.D. X .88" O.D.	1
8	129- 102	NUT - 5/16"	2
9	131- 931	NUT - 5/16" flange	1

NOTE: Belt is correctly adjusted when you get 1/2" to 3/8" deflection at center of belt with 30 lb. pull.



AUGER AND CHUTE ASSEMBLY

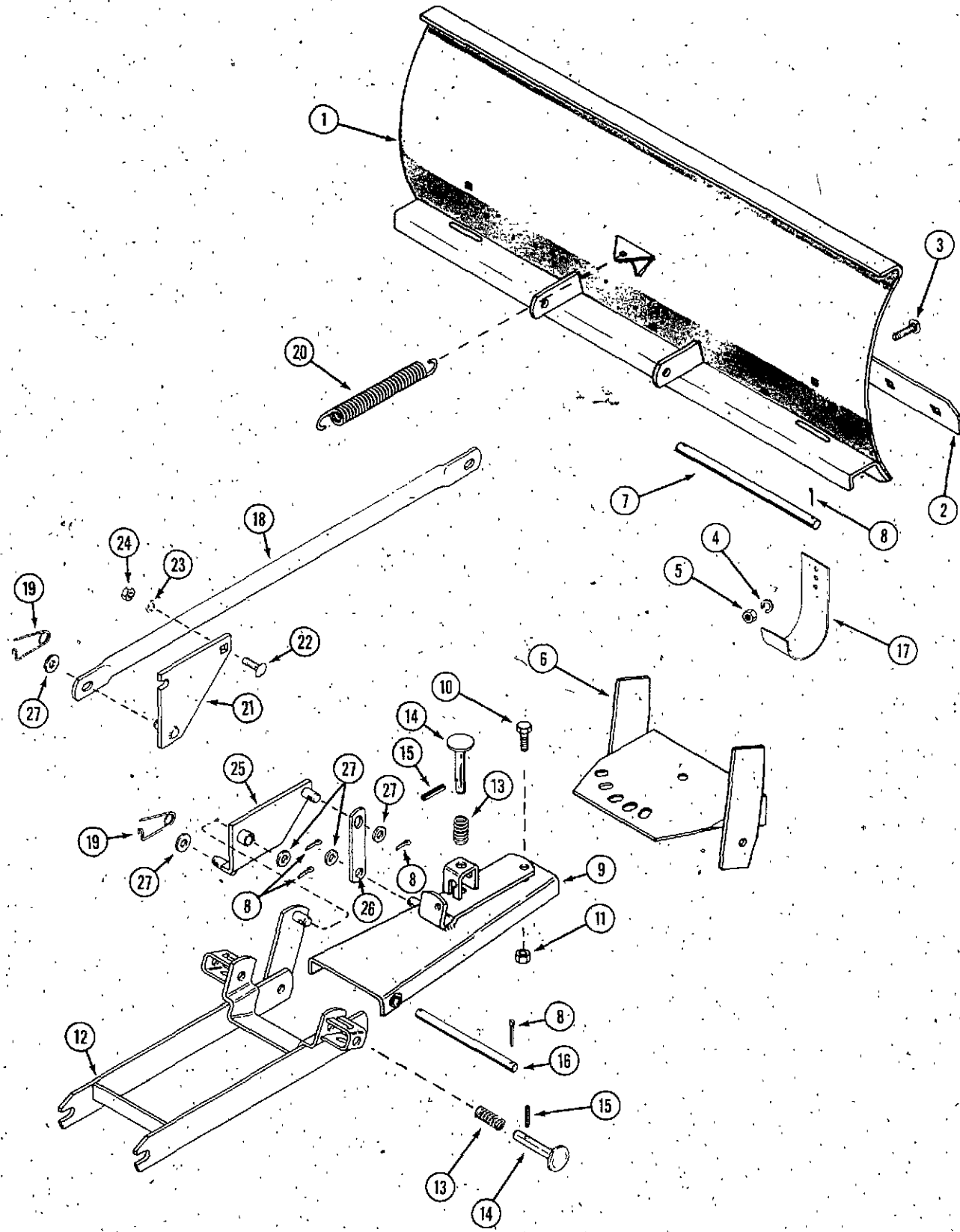
REF.	PART NO.	DESCRIPTION	REQ'D
1	NSS	HOUSING - auger 38'' (965 mm) (R82) (use C29875, C29877 and (2) of 111-202, 129-163, 131-911)	1
1	C 29875	HOUSING - auger 38'' (965 mm) (S82, T82, SB38Y)	1
2	C 25206	AUGER - includes items 4, 9 and 22	1
3	195- 522	WASHER - spacer	1
4	C 25840	SLEEVE - bearing	2
5	121- 226	BOLT - 3/8'' NC x 1'' (use lock tite for installation)	2
6	131- 938	NUT - 3/8'' NC hex flange	4
7	192- 21	LOCKWASHER - 3/8'' (early production)	4
8	C 17775	SKID - shoe	2
9	C 28971	BEARING - auger	1
10	111- 340	BOLT - 3/8'' - 16 x 3/4'' carriage	4
10	111- 371	BOLT - 3/8'' NC x 1'' carriage	4
11	C 15248	CHUTE - discharge	1
12	113- 1	BOLT - 1/4'' NC x 1/2'' hex	2
13	131-1102	NUT - 1/4'' NC hex lock	2
14	C 16940	DEFLECTOR	1
15	111- 340	BOLT - 3/8'' NC x 3/4'' carriage	2
16	C 28263	WASHER - dished 25/64'' x 1''	2
17	C 22774	WING NUT - deflector lock	2
18	C 15334	BRACKET - chute hold down	3
19	111- 132	BOLT - 5/16'' NC x 3/4'' carriage	9
20	131- 911	NUT - 5/16'' NC hex flange	9
21	192- 20	LOCKWASHER - 5/16'' (early production)	9
22	C 25841	SHAFT - stub	2
23	C 17878	BLADE - scraper	1
24	C 24640	COIL - chute control	1
25	195- 525	WASHER - 3/8'' plain (early production)	6
26	C 24643	ROD - chute control	1
27	C 24644	CRANK - chute control	1
28	132- 300	PIN - cotter 1/8'' x 7/8''	1
29	C 29684	ROD - lift	1
30	C 29663	PLATE - lift adapter	1
31	111- 524	BOLT - 1/2'' - 13 x 1-1/2'' carriage	1
32	192- 23	LOCKWASHER - 1/2''	1
33	129- 105	NUT - 1/2'' - 13 hex	1
34	C 29685	BELLCRANK - lift	1
35	132- 310	PIN - cotter 1/8'' x 1''	1
36	C 10898	PIN - safety	2
37	195- 533	WASHER - 1/2''	4
39	C 29877	SCREW - chain adjust (S82, T82, SB38Y)	1
40	129- 163	NUT - 3/8'' - 24 lock (S82, T82, SB38Y)	2



MOUNTING COMPONENTS AND DRIVE ASSEMBLY

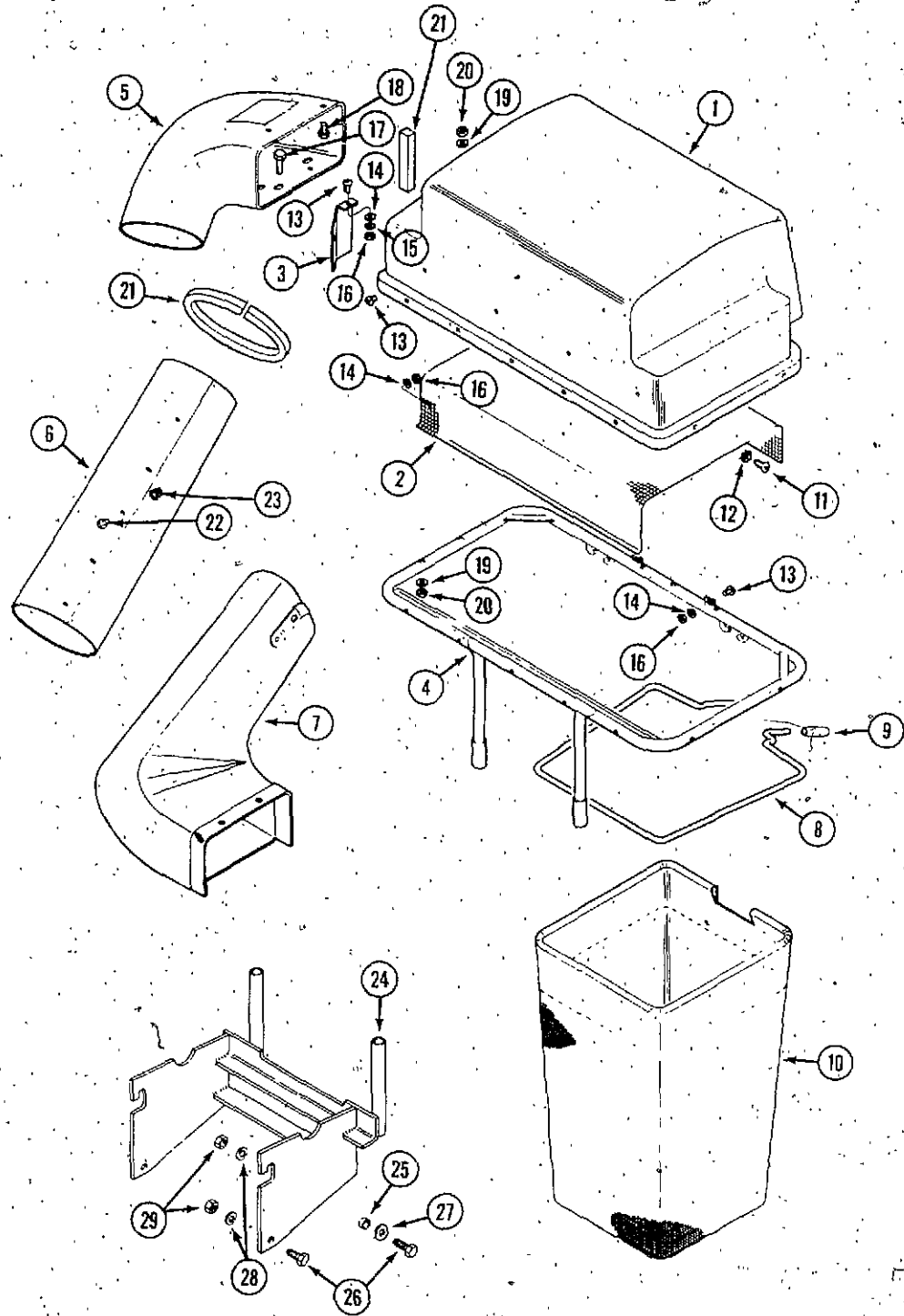
REF.	PART NO.	DESCRIPTION	REQ'D
1	C 28277	FLANGETTE	4
2	C 28817	BEARING - 3/4" (includes locking collar)	2
3	111- 132	BOLT - 5/16" - 18 x 3/4" carriage	UAR
4	192- 20	LOCKWASHER - 5/16" (early production)	4
5	131- 911	NUT - 5/16" hex flange	4
6	113- 102	BOLT - 5/16" - 18 x 3/4"	2
7	C 19553	SPRING - extension	1
8	192- 21	LOCKWASHER - 3/8"	3
9	129- 103	NUT - 3/8" - 16	3
10	138- 2040	PIN - spiral 1/4" x 1-1/2"	1
11	C 10482	SPRING - compression	2
12	C 15278	PIN - latch	2
13	138- 2073	PIN - spiral 3/6" x 1-1/4"	2
14	C 29680	BELT - drive	1
15	C 15329	PULLEY - "V" idler	1
16	113- 233	BOLT - 3/8" - 16 x 1-3/4"	3
17	C 15343	PULLEY - idler 4-1/2"	1
18	C 29024	COLLAR - locking (included with bearing)	2
19	C 19733	SHAFT - drive	1
20	C 19731	PULLEY - drive shaft	1
21	C 18183	CHAIN - auger drive #40	1
22	C 28983	LINK - offset #40	1
	C 28982	LINK - connecting #40	1
23	C 23535	PULLEY - idler 2-1/2" (64 mm)	1
24	C 29681	BRACKET - mounting	1
25	C 15296	ARM - idler	1
26	132- 310	PIN - cotter 1/8" x 1"	3
27	195- 533	WASHER - 1/2"	3
28	C 29693	PIN - clevis 1/2" x 1-3/4"	2
29	C 29687	SUPPORT - chute crank	1
30	113- 207	BOLT - 3/8" - 16 x 1"	1
31	131- 938	NUT - 3/8" - 16 flange lock	1
32	131- 911	NUT - 5/16" - 18 flange lock (S82, T82, SB38Y)	1

UTILITY BLADE

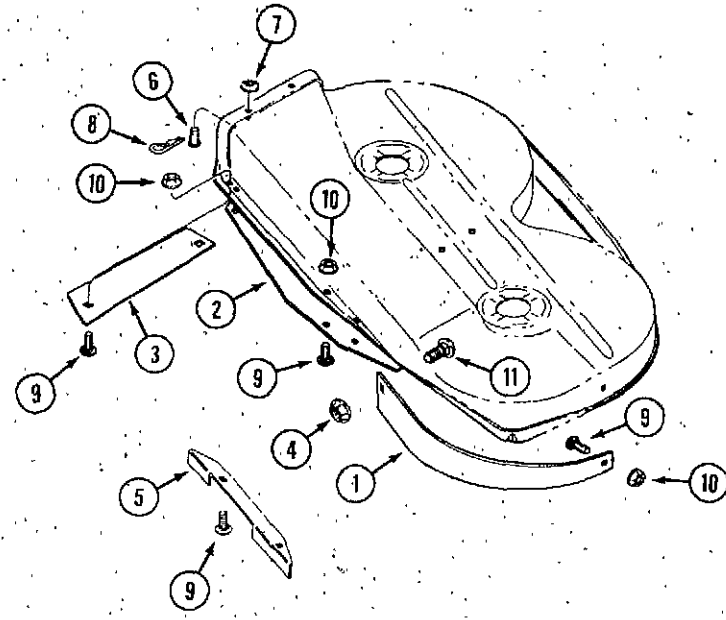


REF.	PART NO.	DESCRIPTION	REQ'D
1	C 15461	BLADE ASSEMBLY - 38" (965 mm)	1
2	C 15462	EDGE - cutting	1
3	111- 132	BOLT - 5/16" - 18 x 3/4" carriage	8
3	111- 203	BOLT - 5/16" x 1" NC carriage	UAR
4	192- 20	LOCKWASHER - 5/16"	UAR
5	129- 102	NUT - 5/16" NC hex	UAR
6	C 15494	PIVOT - blade	1
7	C 15495	PIN - blade pivot	1
8	132- 310	PIN - cotter 1/8" x 1"	7
9	C 29659	BRACKET - push	1
10	113- 417	BOLT - 1/2" x 1-1/4" NC hex	1
11	131- 165	NUT - 1/2" NC hex	1
12	C 29661	BRACKET - mounting	3
13	C 10482	SPRING - compression	3
14	C 15278	PIN - latch	3
15	138- 99	PIN - roll 3/16" x 1-3/8"	3
16	C 29912	PIN - bracket pivot	1
17	C 15469	SHOE - skid	2
18	C 29668	ROD - lift	1
19	C 10898	PIN - safety	2
20	C 27779	SPRING - blade extension	1
21	C 29663	PLATE - adapter	1
22	111- 524	BOLT - 1/2" - 13 x 1-1/2" carriage	1
23	192- 23	LOCKWASHER - 1/2"	1
24	129- 105	NUT - 1/2" - 13	1
25	C 29665	BELLCRANK - lift	1
26	C 29667	LINK - connecting	1
27	195- 533	WASHER - 1/2"	5
28	131- 911	NUT - 5/16" - 18 flange lock	8

B97 BAGGER
BAGGER ASSEMBLY



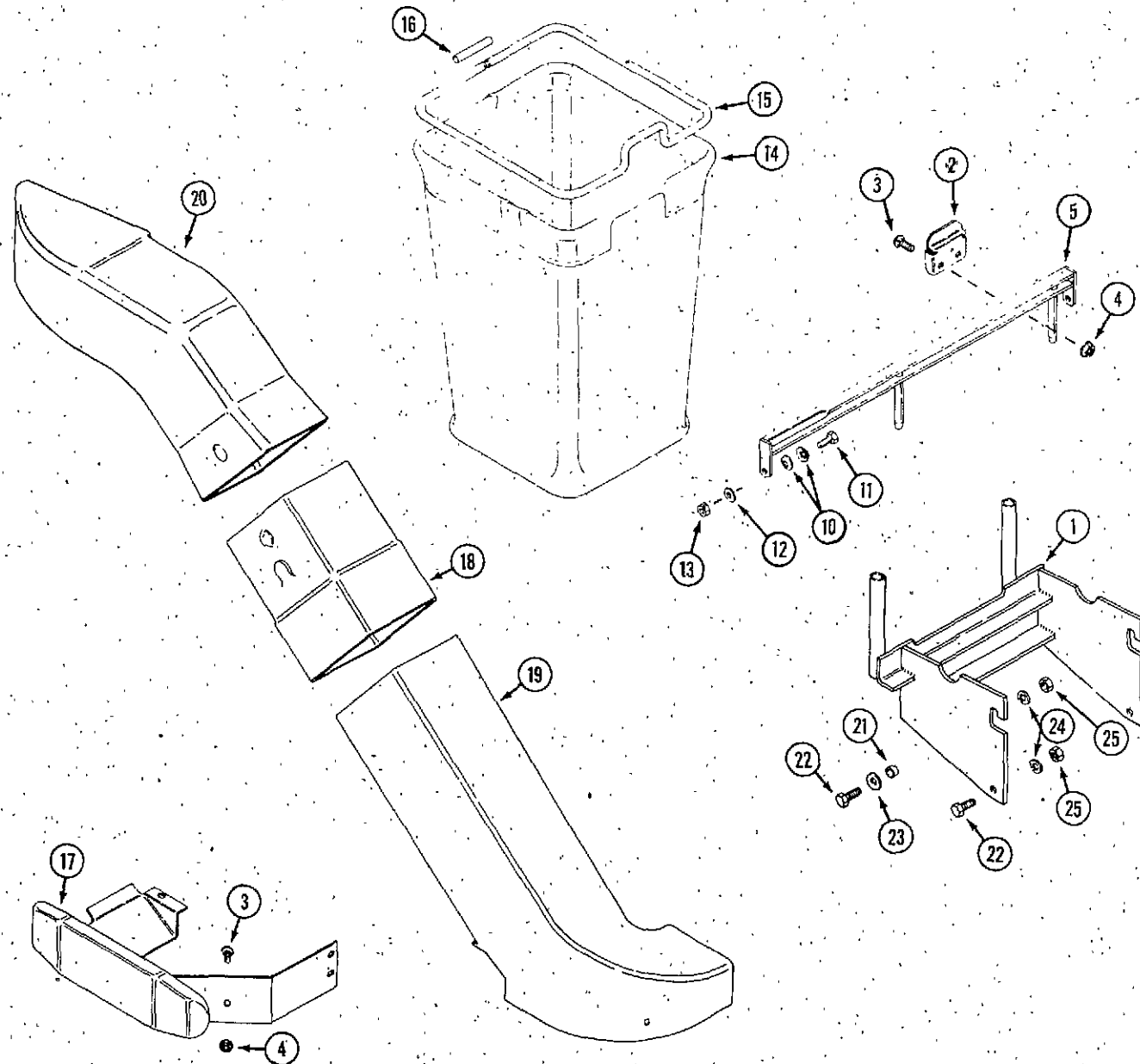
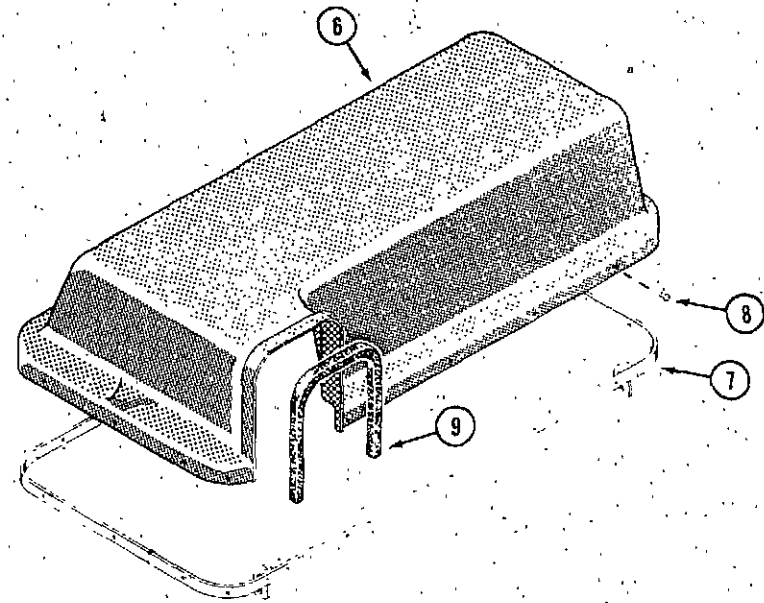
REF.	PART NO.	DESCRIPTION	REQ'D
1	C 29489	COVER - bagger	1
2	C 29490	SCREEN - cover	1
3	C 29491	PLATE - shield	1
4	C 29492	HANGER - hopper	1
5	C 29493	EXTENSION - upper chute	1
6	NSS	TUBE - clear plastic (use C30105 and C30106 before S/N BU10990) shown	1
6	C 30105	TUBE - discharge (use S/N BU10990 and after)	1
7	NSS	BOOT - mower (use C30105 and C30106 before S/N BU10990) shown	1
7	C 30106	BOOT - mower (use S/N BU10990 and after)	1
8	C 29498	ROD - hopper support	2
9	C 29178	GRIP - handle	4
10	C 28438	HOPPER - bagger	2
11	187- 1738	SCREW - #10 x 1/2" self-tapping	9
12	193- 42	LOCKWASHER - #10 external tooth	9
13	182- 524	SCREW - #10 x 5/8"	12
14	195- 513	WASHER - #10	12
15	192- 18	LOCKWASHER - #10	12
16	129- 17	NUT - #10	12
17	113- 5	BOLT - 1/4" x 1-1/2"	2
18	113- 3	BOLT - 1/4" x 3/4"	2
19	195- 518	WASHER - 1/4"	4
20	131- 1180	NUT - 1/4" lock	4
21	C 24610	SEAL - chute (cut to fit)	2
22	182- 516	SCREW - #10 x 3/8" (use before S/N BU10990)	5
23	193- 1004	NUT - #10 washer head (use before S/N BU10990)	5
24	C 29500	BRACKET - mounting	1
25	C 14768	SPACER	2
26	113- 207	BOLT - 3/8" x 1"	4
27	195- 525	WASHER - 3/8"	2
28	192- 21	LOCKWASHER - 3/8"	4
29	129- 103	NUT - 3/8"	4



BAFFLES

REF.	PART NO.	DESCRIPTION	REQ'D
1	C 29482	BAFFLE - L.H.	1
2	C 29483	BAFFLE - front	1
3	C 29484	BAFFLE - R.H.	1
4	131- 938	NUT - flange lock 3/8"	1
5	C 29486	BAFFLE - chute	1
6	141- 3	PIN - clevis	2
7	193- 92	NUT - push	2
8	C 16450	PIN - cotter	2
9	111- 132	BOLT - 5/16" x 3/4" carriage	9
10	131- 911	NUT - flange lock 5/16"	9
11	111- 371	BOLT - 3/8" - 16 x 1" carriage	1

BAGGER ASSEMBLY



REF.	PART NO.	DESCRIPTION	REQ'D
1	C 29513	BRACKET - mounting	1
2	C 28436	BRACKET - retaining, hopper	1
3	111- 132	BOLT - 5/16" x 3/4" carriage	12
4	131- 911	NUT - 5/16" flange lock	5
5	C 28434	FRAME - support	1
6	C 32101	COVER - bagger	1
7	C 29871	HINGE - cover	1
8	151- 88	RIVET - 3/16" x 5/16"	17
9	C 24610	SEAL - chute	1
10	C 25114	SPRING WASHER - Belleville	4
11	113- 103	BOLT - 5/16" - 18 x 1"	2
12	195- 521	WASHER - 5/16"	2
13	131- 176	NUT - 5/16" - 18 lock	2
14	C 28438	BAG - grass	2
15	C 28439	ROD - bag, support	2
16	C 28440	TUBE - retaining	2
17	C 30777	SKID - mower, R.H.	1
18	C 30773	CHUTE - middle	1
19	C 30774	CHUTE - lower	1
20	C 28448	CHUTE - upper	1
21	C 14768	SPACER	2
22	113- 207	BOLT - 3/8" x 1"	4
23	195- 525	WASHER - 3/8"	2
24	192- 21	LOCKWASHER - 3/8"	4
25	129- 103	NUT - 3/8"	4

INGERSOLL

① **WARNING**

FLYING DEBRIS
OPERATE MOWER ONLY WITH DISCHARGE CHUTE GUARD/COVER OR COMPLETE GRASS CATCHER IN PLACE. DEBRIS MAY CAUSE INJURY.

⑪ **CAUTION**

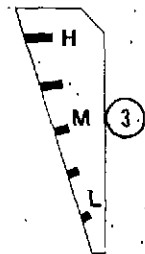
KEEP HANDS AND FEET CLEAR OF THIS AREA
BLADE TILTS WITH SPRING TRIP ACTION
PINCH POINTS
COULD CAUSE PERSONAL INJURY

② **DANGER**

SPINNING BLADE
SEE OPERATOR'S MANUAL BEFORE ATTEMPTING TO CLEAR PLUGGED DISCHARGE CHUTE. CONTACT WITH BLADE CAN RESULT IN SERIOUS INJURY.

WARNING

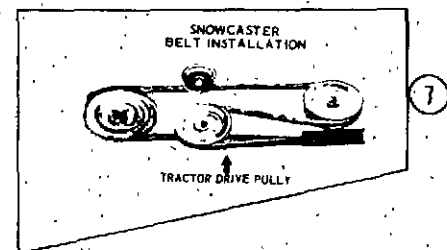
ROTATING AUGER
TO AVOID SEVERE INJURY, KEEP HANDS OUT OF AUGER AND DISCHARGE CHUTE WHILE ENGINE IS RUNNING.



④ **DANGER**

SPINNING BLADE
KEEP CLEAR
CONTACT CAN INJURE

⑤ **NO STEP**



⑬ **CAUTION**

FLYING DEBRIS
1 DO NOT RAISE COVER WHILE OPERATING
2 PROPERLY INSTALL BAGGER AND CHUTE BEFORE STARTING MOWER. SEE OPERATOR'S MANUAL FOR FURTHER INSTRUCTIONS.

hi cast **38**

38

DECALS

REF.	PART NO.	DESCRIPTION	REQ'D
1	C 31086	DECAL - "Flying Debris" (B96SA, B97, N42, N43, P42, BG42, RM42)	2
2	C 31089	DECAL - "Spinning Blade" (B96SA, B97, BG42)	1
3	321-6433	DECAL - cutting height (N42, N43)	1
4	C 31087	DECAL - "Spinning Blade" (N42, N43, P42, RM42)	1
5	C 12519	DECAL - "No Step" (N42, N43, P42, RM42)	2
6	321-4199	DECAL - "auger warning" (R82, S82, T82, SB38Y)	1
7	C 16102	DECAL - drive belt (R82, S82, T82, SB38Y)	1
8	C 27938	DECAL - HI CAST 38" (R82, S82, T82, SB38Y)	1
9	NSS	DECAL - stripe (R82, S82, T82, L52, M52) cut to length (use C31328)	1
10	C 31989	DECAL - "INGERSOLL" (R82, S82, T82, L52, M52, SB38Y, UB38)	1
11	321-4686	DECAL - "Pinch Point" (L52, M52, UB38)	1
12	C 31046	DECAL - "38" (L52, M52, UB38)	1
13	C 31088	DECAL - "CAUTION" (B96SA, BG42)	1
14	C 31090	DECAL - cutting height (P42, RM42)	1

NUMERICAL INDEX

PART NO.	PAGE NO.	REF. NO.	PART NO.	PAGE NO.	REF. NO.
C10482	7	6	C24640	25	24
C10482	11	3	C24643	25	26
C10482	21	4	C24644	25	27
C10482	27	11	C25080	13	1
C10482	29	13	C25114	35	10
C10821	7	19	C25206	25	2
C10821	9	16	C25541	19	6
C10821	11	21	C25542	9	4
C10898	7	21	C25543	19	4
C10898	9	18	C25688	23	6
C10898	11	23	C25829	23	5
C10898	21	24	C25840	25	4
C10898	25	36	C25841	25	22
C10898	29	19	C26033	7	24
C12251	13	8	C26033	21	26
C12519	37	5	C26086	11	5
C14482	5	23	C26090	5	20
C14482	13	16	C26090	13	13
C14768	13	6	C26090	19	20
C14768	31	25	C26092	15	3
C14768	35	21	C26092	15	4
C15248	25	11	C26736	7	25
C15278	7	13	C26736	11	9
C15278	11	14	C26736	21	14
C15278	21	3	C27096	7	18
C15278	27	12	C27096	9	20
C15278	29	14	C27118	11	16
C15296	27	25	C27119	11	16
C15329	27	15	C27190	13	9
C15334	25	18	C27779	29	20
C15343	27	17	C27938	37	8
C15461	29	1	C28263	25	16
C15462	29	2	C28277	27	1
C15469	29	17	C28434	35	5
C15494	29	6	C28436	35	2
C15495	29	7	C28438	31	10
C15560	9	12	C28438	35	14
C16102	37	7	C28439	35	15
C16450	33	8	C28440	35	16
C16714	5	19	C28448	35	20
C16714	13	10	C28817	27	2
C16714	19	24	C28971	9	2
C16745	5	24	C28971	19	2
C16745	7	26	C28971	25	9
C16745	11	10	C28972	19	29
C16745	13	11	C28982	27	
C16745	21	15	C28983	27	22
C16940	25	14	C29024	27	18
C17686	21	22	C29178	31	9
C17775	25	8	C29415	5	1
C17878	25	23	C29420	5	2
C18183	27	21	C29421	5	3
C19088	7	22	C29421	9	4
C19088	11	17	C29422	5	17
C19553	27	7	C29422	9	6
C19731	27	20	C29423	5	4
C19733	27	19	C29424	5	5
C20005	7	5	C29424	5	5
C20005	11	2	C29425	5	8
C20005	21	12	C29427	5	11
C22707	13	18	C29428	7	1
C22774	25	17	C29429	7	4
C23452	19	12	C29431	9	9
C23535	27	23	C29433	7	10
C24321	13	17	C29441	5	16
C24321	19	27	C29442	7	11
C24610	31	21	C29443	7	12
C24610	35	9	C29445	9	1

PART NO.	PAGE NO.	REF. NO.	PART NO.	PAGE NO.	REF. NO.
C29449	9	2	C29449	9	2
C29450	9	3	C29450	9	3
C29453	9	3	C29453	9	3
C29453	19	3	C29453	19	3
C29464	9	10	C29464	9	10
C29466	9	12	C29466	9	12
C29468	9	10	C29468	9	10
C29469	9	10	C29469	9	10
C29470	11	1	C29470	11	1
C29473	11	13	C29473	11	13
C29476	13	19	C29476	13	19
C29482	33	1	C29482	33	1
C29483	33	2	C29483	33	2
C29484	33	3	C29484	33	3
C29486	33	5	C29486	33	5
C29489	31	1	C29489	31	1
C29490	31	2	C29490	31	2
C29491	31	3	C29491	31	3
C29492	31	4	C29492	31	4
C29493	31	5	C29493	31	5
C29498	31	8	C29498	31	8
C29500	31	24	C29500	31	24
C29512	5	26	C29512	5	26
C29513	35	1	C29513	35	1
C29659	29	9	C29659	29	9
C29661	29	12	C29661	29	12
C29663	25	30	C29663	25	30
C29663	29	21	C29663	29	21
C29665	29	25	C29665	29	25
C29667	29	26	C29667	29	26
C29668	29	18	C29668	29	18
C29669	15	1	C29669	15	1
C29670	15	1	C29670	15	1
C29671	15	1	C29671	15	1
C29672	15	1	C29672	15	1
C29673	15	1	C29673	15	1
C29674	15	1	C29674	15	1
C29680	27	14	C29680	27	14
C29681	27	24	C29681	27	24
C29684	25	29	C29684	25	29
C29685	25	34	C29685	25	34
C29687	27	29	C29687	27	29
C29690	5	10	C29690	5	10
C29691	5	14	C29691	5	14
C29691	9	11	C29691	9	11
C29693	27	28	C29693	27	28
C29812	5	27	C29812	5	27
C29812	13	21	C29812	13	21
C29871	35	7	C29871	35	7
C29875	25	1	C29875	25	1
C29877	25	39	C29877	25	39
C29912	29	16	C29912	29	16
G30105	31	6	G30105	31	6
G30106	31	7	G30106	31	7
G30107	5	9	G30107	5	9
G30122	9	8	G30122	9	8
C30385	5	18	C30385	5	18
C30715	17	1	C30715	17	1
C30724	17	2	C30724	17	2
C30729	9	1	C30729	9	1
C30729	19	1	C30729	19	1
C30732	19	7	C30732	19	7
C30733	19	8	C30733	19	8
G30734	19	9	G30734	19	9
C30735	23	1	C30735	23	1
C30736	19	15	C30736	19	15
C30738	17	3	C30738	17	3
C30741	17	4	C30741	17	4

PART NO.	PAGE NO.	REF. NO.	PART NO.	PAGE NO.	REF. NO.
C30744	17	6	C30744	17	6
C30746	19	23	C30746	19	23
C30755	21	8	C30755	21	8
C30758	21	9	C30758	21	9
C30759	21	11	C30759	21	11
C30766	17	7	C30766	17	7
C30767	17	8	C30767	17	8
C30768	17	9	C30768	17	9
C30773	35	18	C30773	35	18
C30774	35	19	C30774	35	19
C30777	35	17	C30777	35	17
C30786	9		C30786	9	
C30882	21	1	C30882	21	1
C30884	21	2	C30884	21	2
C31046	37	12	C31046	37	12
C31086	37	1	C31086	37	1
C31087	37	4	C31087	37	4
C31088	37	13	C31088	37	13
C31089	37	2	C31089	37	2
C31090	37	14	C31090	37	14
C31091	21	18	C31091	21	18
C31216	19	19	C31216	19	19
C31452	9	5	C31452	9	5
C31989	37	10	C31989	37	10
C32101	35	6	C32101	35	6
C33275	19	16	C33275	19	16
111-132	5	6	111-132	5	6
111-132	7	8	111-132	7	8
111-132	11	6	111-132	11	6
111-132	21	19	111-132	21	19
111-132	25	19	111-132	25	19
111-132	27	3	111-132	27	3
111-132	29	3	111-132	29	3
111-132	33	9	111-132	33	9
111-132	35	3	111-132	35	3
111-203	29	3	111-203	29	3
111-217	17	10	111-217	17	10
111-217	21	21	111-217	21	21
111-340	25	15	111-340	25	15
111-340	25	10	111-340	25	10
111-366	13	2	111-366	13	2
111-366	23	2	111-366	23	2
111-371	9	13	111-371	9	13
111-371	13	3	111-371	13	3
111-371	25	10	111-371	25	10
111-371	33	11	111-371	33	11
111-517	11	19	111-517	11	19
111-524	25	31	111-524	25	31
111-524	29	22	111-524	29	22
113-1	25	12	113-1	25	12
113-2	15	2	113-2	15	2
113-3	7	15	113-3	7	15
113-3	31	18	113-3	31	18
113-5	31	17	113-5	31	17
113-102	27	6	113-102	27	6
113-103	35	11	113-103	35	11
113-118	7	2	113-118	7	2
113-118	9	7	113-118	9	7
113-206	5	12	113-206	5	12
113-206	19	17	113-206	19	17
113-207	9	14	113-207	9	14
113-207	27	30	113-207	27	30
113-207	31	26	113-207	31	26
113-207	35	22	113-207	35	22
113-208	19	13	113-208	19	13
113-233	7	9	113-233	7	9
113-233	27	16	113-233	27	16
113-410	5	21	113-410	5	21

PART NO.	PAGE NO.	REF. NO.	PART NO.	PAGE NO.	REF. NO.
113-410	13	14	113-410	13	14
113-410	19	21	113-410	19	21
113-417	21	6	113-417	21	6
113-417	29	10	113-417	29	10
121-226	25	5	121-226	25	5
123-101	23	4	123-101	23	4
126-13	19	10	126-13	19	10
126-19	19	10	126-19	19	10
129-17	31	16	129-17	31	16
129-102	7	9	129-102	7	9
129-102	9	9	129-102	9	9
129-102	11	8	129-102	11	8
129-102	23	8	129-102	23	8
129-102	29	5	129-102	29	5
129-103	9	15	129-103	9	15
129-103	19	14	129-103	19	14
129-103	27	9	129-103	27	9
129-103	31	29	129-103	31	29
129-103	35	25	129-103	35	25
129-105	25	33	129-105	25	33
129-105	29	24	129-105	29	24
129-163	25	40	129-163	2	