



Ingersoll

**HYDRACUTTER
1048, HC48, AHC48
Parts Catalog 8-3001**

[HOME](#)

[TRACTORS](#)

[ATTACHMENTS](#)

[INDEX](#)

[PAINT](#)

[GENERAL INFO](#)

ATTACHMENT APPLICATION

MODEL	SIZE	TRACTOR MODE
1048, HC48	48" (1220 mm)	200, 400 Series 3000, 4000 Series 600, 6000 Series
AHC48	48" (1220 mm)	4118, 3118 4118D, 3118D

NOTE: Requires Hydraulic PTO Attachment and Case Drain

INDEX

There is an index at the front and rear of this catalog. The front index is an alphabetical index of the major groups or assemblies.

The rear index is a numerical index of the part numbers and pages on which these numbers are shown.

ILLUSTRATION

Each illustration in this catalog shows a group of parts or components. These parts and components are aligned approximately as the parts and components on your machine. Each part and component in an illustration has a reference number. These reference numbers are in a list on the page opposite of the illustration. Next to the reference number is the part number, description and required quantity of the part shown in the illustration.

UAR - "Use as required" indicates that the part quantity is variable.

NSS - "Not sold separately" indicates that the part is only available as component of an assembly or the part must be purchased locally. If the part is an assembly component, the description will be indented under the assembly description in the parts list.

O/L - "Obtain locally"

- "Footnotes" are added to a part number when more information is needed for identification. They only relate to the part numbers indicated. All orders must include the following information:

PARTS ORDERS

1. Correct part number.
2. Complete description of part or component.
3. Total quantity of each part or component.
4. Product model number.
5. All necessary product identification numbers.
6. Method for sending the parts.
7. Complete and correct address.

CATALOG REVISIONS

As the product changes, new pages will be available for your catalog. A notice will be issued.

IMPORTANT: Put all revisions into the catalog as soon as possible.

RIGHT HAND AND LEFT HAND IDENTIFICATION

The words right hand (RH) and left hand (LH) as used in this catalog indicate the direction while you are in the operator's seat in the normal operating position.

INDENTED DESCRIPTIONS

An assembly can have many components. The components of an assembly are indicated by an indented description. The quantity for an indented part is the total needed for that complete assembly. See the example.

REF.	PART NO.	DESCRIPTION	REQ'D
	C 55159	CYLINDER ASSY - rear steering	1
28	C 56208	SOCKET ASSY - rear cylinder	1
29	C 55956	PLUG - adjusting, socket assy	1
30	C 55957	SEAT- socket, ball.....	2
31	C 56210	SPRING-socket	1
32	C 56209	SEAT - socket spring	1
33	G 45175	CLAMP ASSY - socket assy	1
	16- 836	BOLT-1/2"x2-1/4" N.F. hex.....	1
34	132- 104	PIN-cotter, 3/16"x3".....	1
35	C 55889	STUD - ball, socket & cylinder	2
36	13- 410	BOLT-1/4"x5/8"N.C.,hex	4
37	92- 4	LOCK WASHER - 1/4"SAE	4

ALPHABETICAL INDEX

Axle 17
Belt 7
Blade 7
Bumper..... 9
Decals 21
Deck 5
Height Adjust Lever..... 19
Hitch 17
Hydraulics 9-15
Motor 15
Pulleys..... 7
Skid Shoes..... 5
Spindle 7

INDEX

PAINT AND OIL

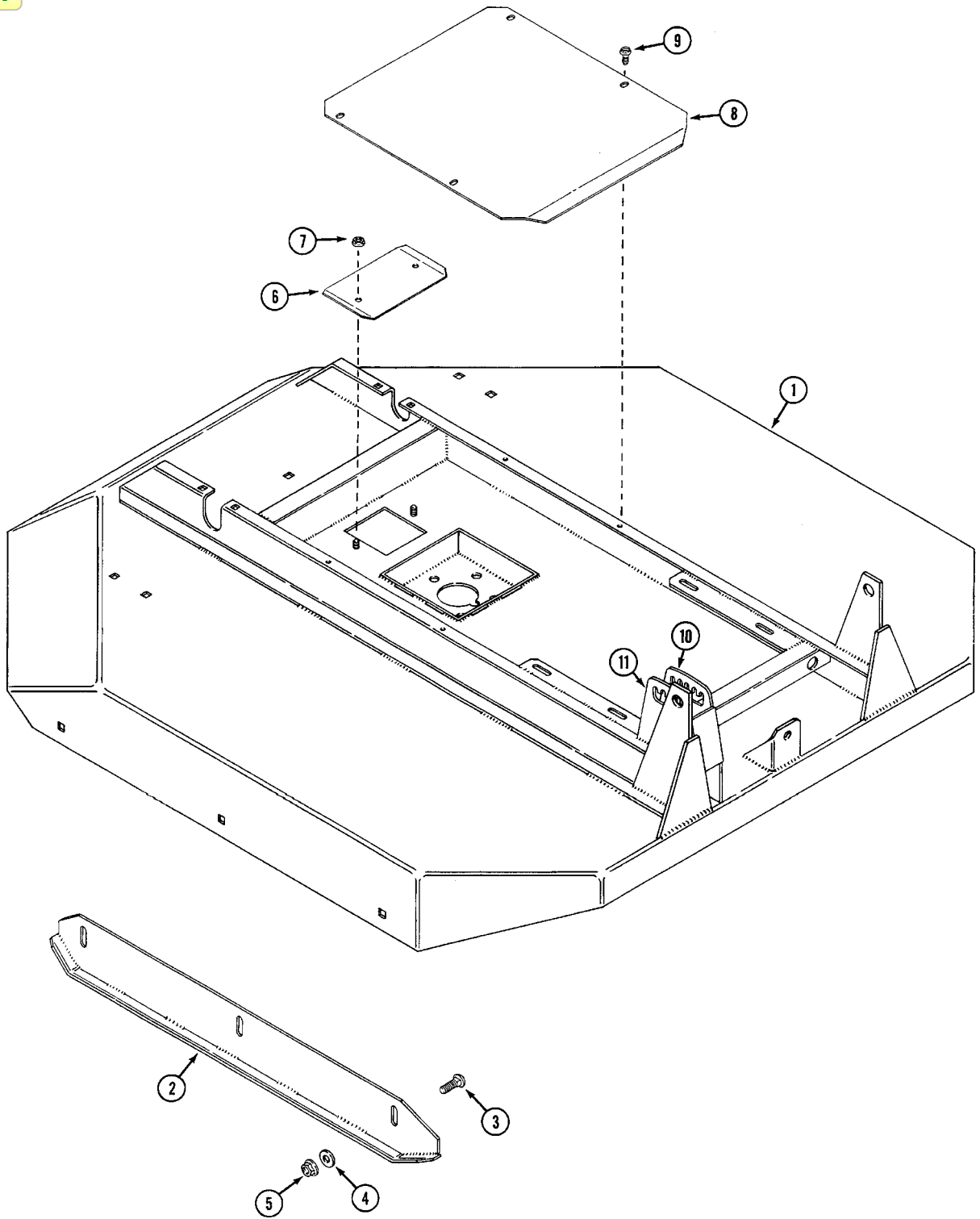
PAINT

REF.	PART NO.	DESCRIPTION	REQ'D
1	C 28849	BLACK - semi - gloss, 12 oz spray (2 per carton)	1
2	C 28850	BLACK - semi - gloss, quart (2 per carton)	1
3	C 28850	BLACK - semi - gloss, heat resistant, 12 oz spray (2 per carton)	1
4	C 28484	POWER RED - gloss, 12 oz spray (2 per carton)	1
5	C 28485	POWER RED - gloss, quart (2 per carton)	1
6	C 30870	SILVER - gloss, 12 oz. spray (2 per carton).....	1
7	C 31643	POWER RED - gloss, 1 oz touch up, (1 doz. per carton)	1

OIL

1	C 32776	OIL - SAE 30, SF, quart (12 per case)	1
2	C 32777	OIL - SAE 5W20, SF, quart (12 per case)	1
3	C 32778	OIL - SAE 20W40, SF, quart (12 per case)	1

INDEX

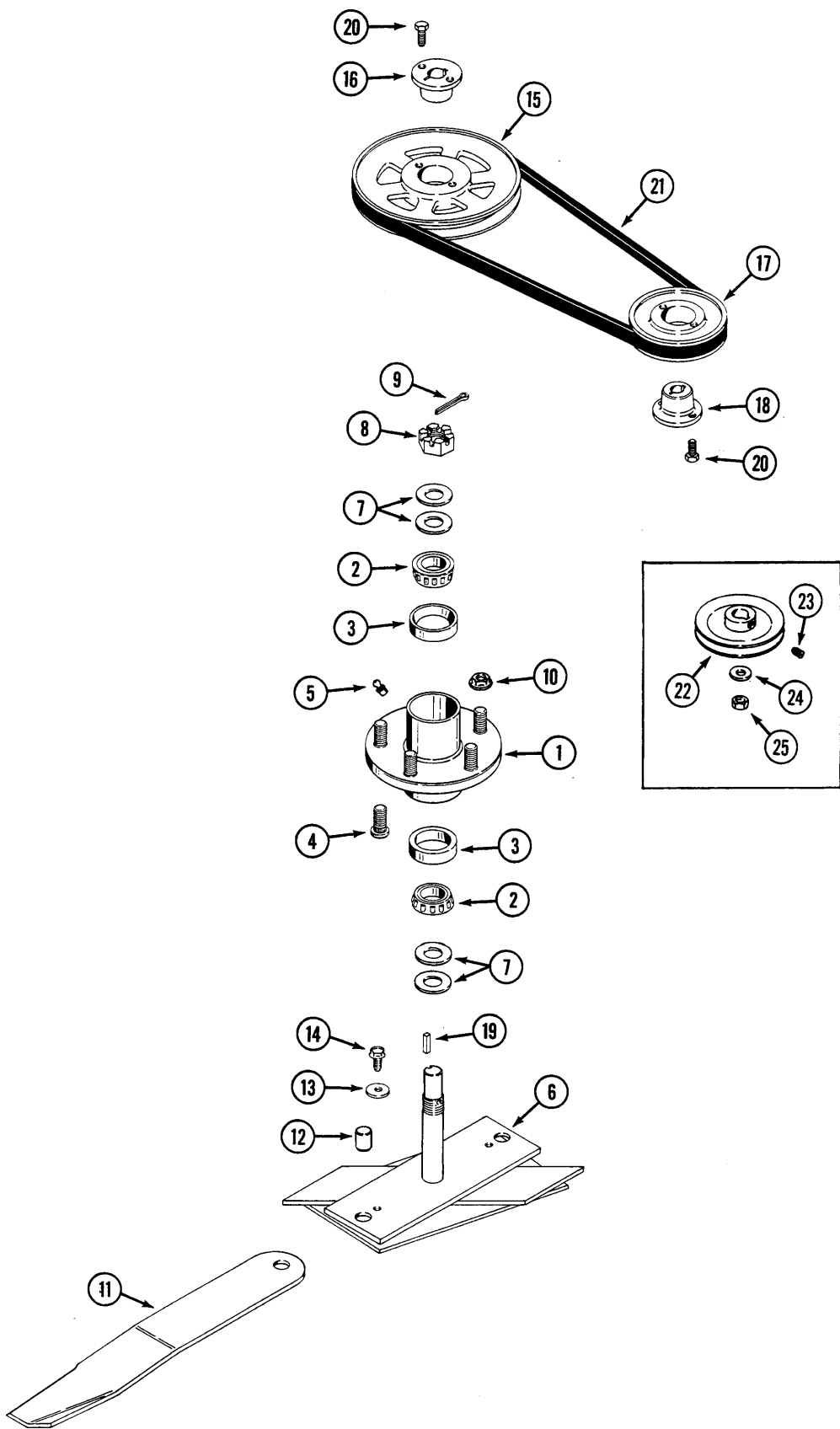


INDEX

DECK, COVERS AND SKID SHOES

REF.	PART NO.	DESCRIPTION	REQ'D
1	C29544	DECK - mower	1
2	C29564	SHOE - skid	2
3	111-371	BOLT - 3/8" - 16 x 1" carriage	6
4	195-104	WASHER - 3/8"	6
5	131-938	NUT - 3/8" - 16 lock	6
6	C29578	COVER - blade access hole	1
7	131-911	NUT - 5/16" - 18 lock	2
8	C29582	COVER - belt	1
9	187-1036	SCREW - 1/4" - 20 x 1/2" self tap	4
10	C29560	QUADRANT - inner (is part of deck weldment)	1
11	C29561	QUADRANT - outer (is part of deck weldment)	1

INDEX



INDEX

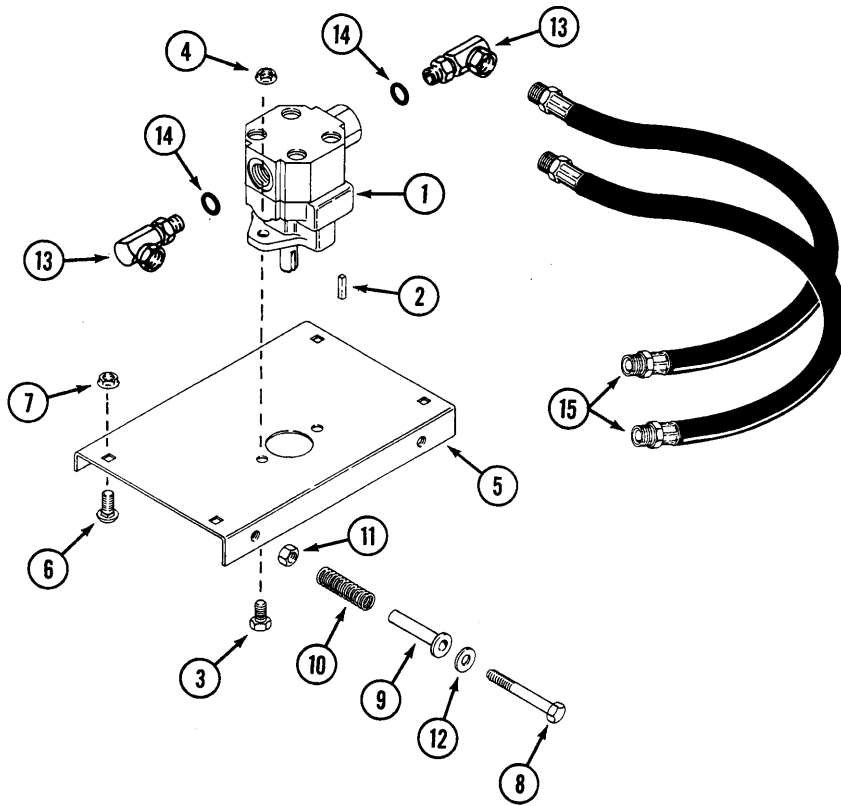
SPINDLE, BELT AND PULLEYS

REF.	PART NO.	DESCRIPTION	REQ'D
1	C29709	HUB ASSEMBLY - spindle.....	1
2	C28262	BEARING - cone	2
3	C28988	RACE - bearing	2
4	C18300	STUD - mounting	5
5	219-10	FITTING - lubrication.....	1
6	C29569	SPINDLE	1
7	C29575	WASHER - spacer	4
8	129-291	NUT - 1" - 14 slotted.....	1
9	132-306	PIN - cotter 3/16" x 1-3/4".....	1
10	131-913	NUT - 1/2" - 20 lock.....	5
11	C29540	BLADE - cutting.....	2
12	C29576	PIN - blade retaining	2
13	C29577	WASHER - retaining	2
14	121-106	BOLT - 5/16" - 18 x 1/2" lock.....	2
15	C29543	PULLEY - spindle	1
16	C29579	BUSHING - pulley 7/8"	1
17	C29542	PULLEY - hydraulic motor (1048, HC48) (before PIN 150602001).....	1
17	C42386	PULLEY - hydraulic motor (AHC48) (before PIN 150603001).....	1
18	C29580	BUSHING - pulley 5/8" (1048, HC48) (before PIN 150404001)	1
18	C42385	BUSHING - pulley 3/4" (AHC48 before PIN 150603001) (HC48 PIN 150404001 to 150602001)	1
19	C29581	KEY - 3/16" x 3/16" x 1".....	1
20	113-3	BOLT - 1/4" - 20 x 3/4"	4
21	C29541	BELT - drive (1048, HC48).....	1
21	C42384	BELT - drive (AHC48)	1
22	C46204	PULLEY - hydraulic motor (HC48 PIN 150602001 and after)	1
22	C45883	PULLEY - hydraulic motor (AHC48 PIN 150603001 and after)	1
23	83-55	SCREW - set 5/16" - 18	2
24	195-2067	WASHER - 7/16"	1
25	131-C5	NUT - 7/16"-20 lock.....	1

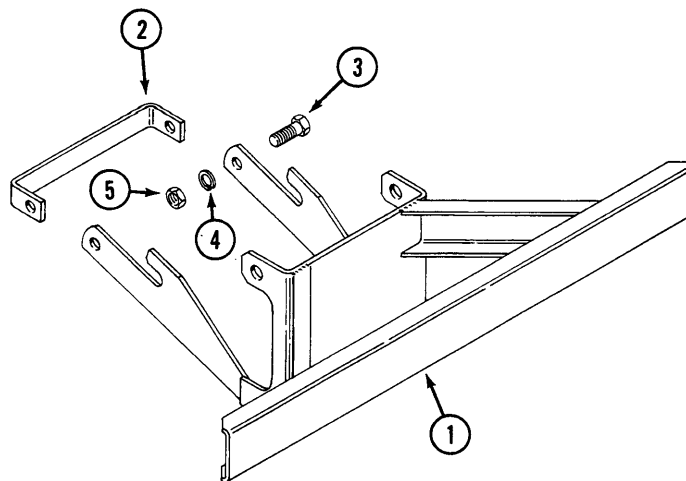
INDEX

HYDRAULIC DRIVE (1048, HC48) (Before PIN 150404001)

AFTER THIS PIN



INDEX



INDEX**HYDRAULIC DRIVE
(1048, HC48)
(Before PIN 150404001)****AFTER THIS PIN**

REF.	PART NO.	DESCRIPTION	REQ'D
1	NSS	MOTOR - hydraulic (use C46508 Kit)	1
	C30053	KIT - motor repair (includes carrier and seal kit)	1
	C29625	KIT - seal	1
2	C29581	KEY - motor shaft	1
3	113-207	BOLT - 3/8"-16 x 1"	2
4	131-1352	NUT - 3/8" - 16 lock	2
5	C29623	PLATE - mounting	1
6	111-132	BOLT - 5/16" - 18 x 3/4" carriage	4
7	131 -911	NUT- 5/16" - 18 lock	4
8	123-101	BOLT - 5/16"-18 x 4"	2
9	C25829	SPACER - flanged	2
10	C25688	SPRING - compression	2
11	129-102	NUT - 5/16" - 18	2
12	195-520	WASHER 5/16" x 7/8"	2
13	218-5201	FITTING - 7/8" - 14 "O" ring, 1/2" pipe, 90°	2
14	218-5007	"O" - RING	1
15	C28320	HOSE - hydraulic	2
	111-340 *	BOLT - 3/8" - 16 x 3/4" carriage	1
	131-938 *	NUT - 3/8" - 16 lock	1

* Use in PTO bracket to prevent incorrect handle operation

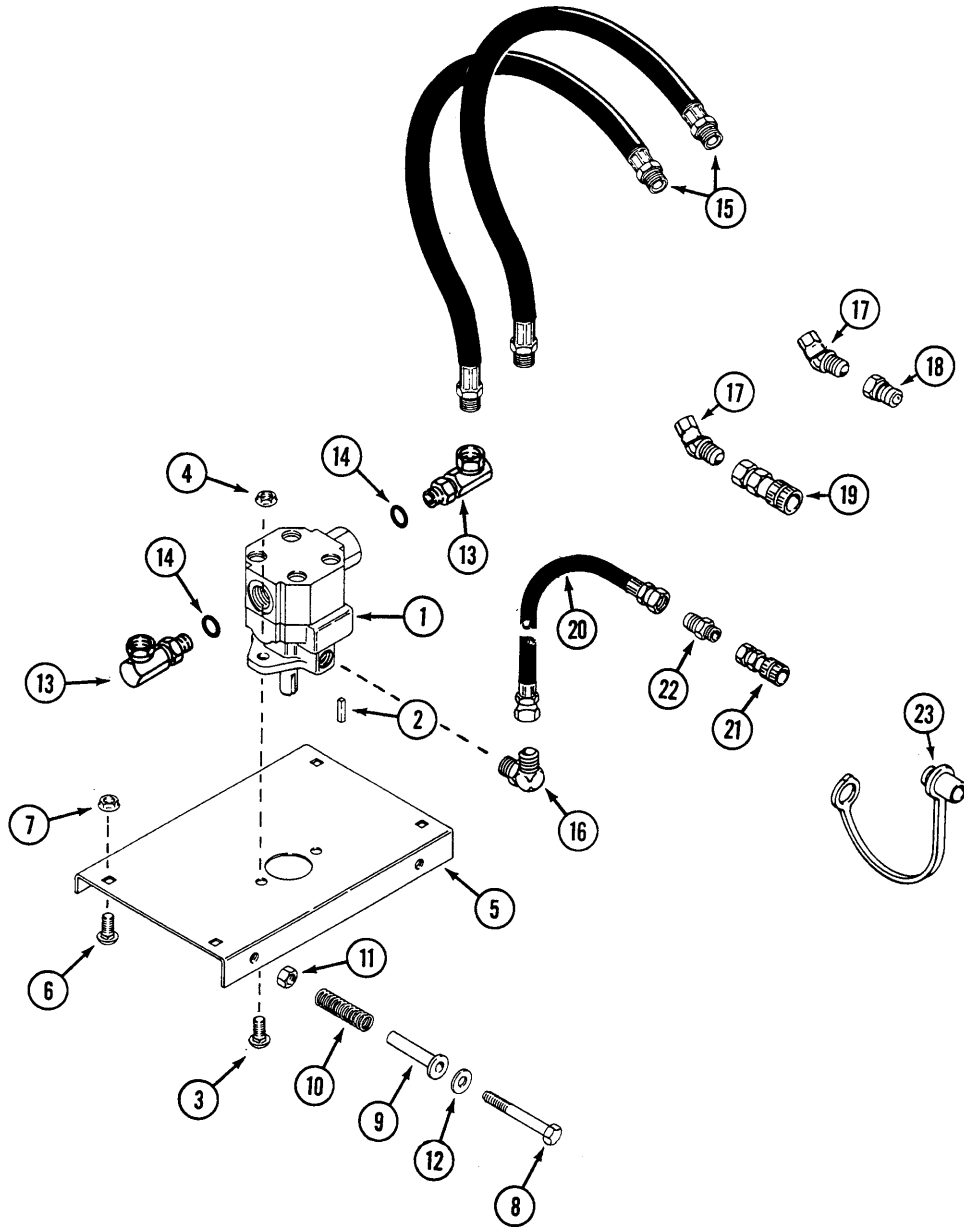
INDEX**BUMPER**

1	C29612	BUMPER - front	1
2	C17161	BRACE - rear	1
3	113-417	BOLT - 1/2" - 13 x 1-1/4"	2
4	192-23	LOCKWASHER - 1/2"	2
5	129-105	NUT - 1/2" - 13	2

INDEX

**HYDRAULIC DRIVE
(AHC48 Before PIN 150603001)
(HC48 PIN 150404001 to 150602001)**

AFTER THIS PIN

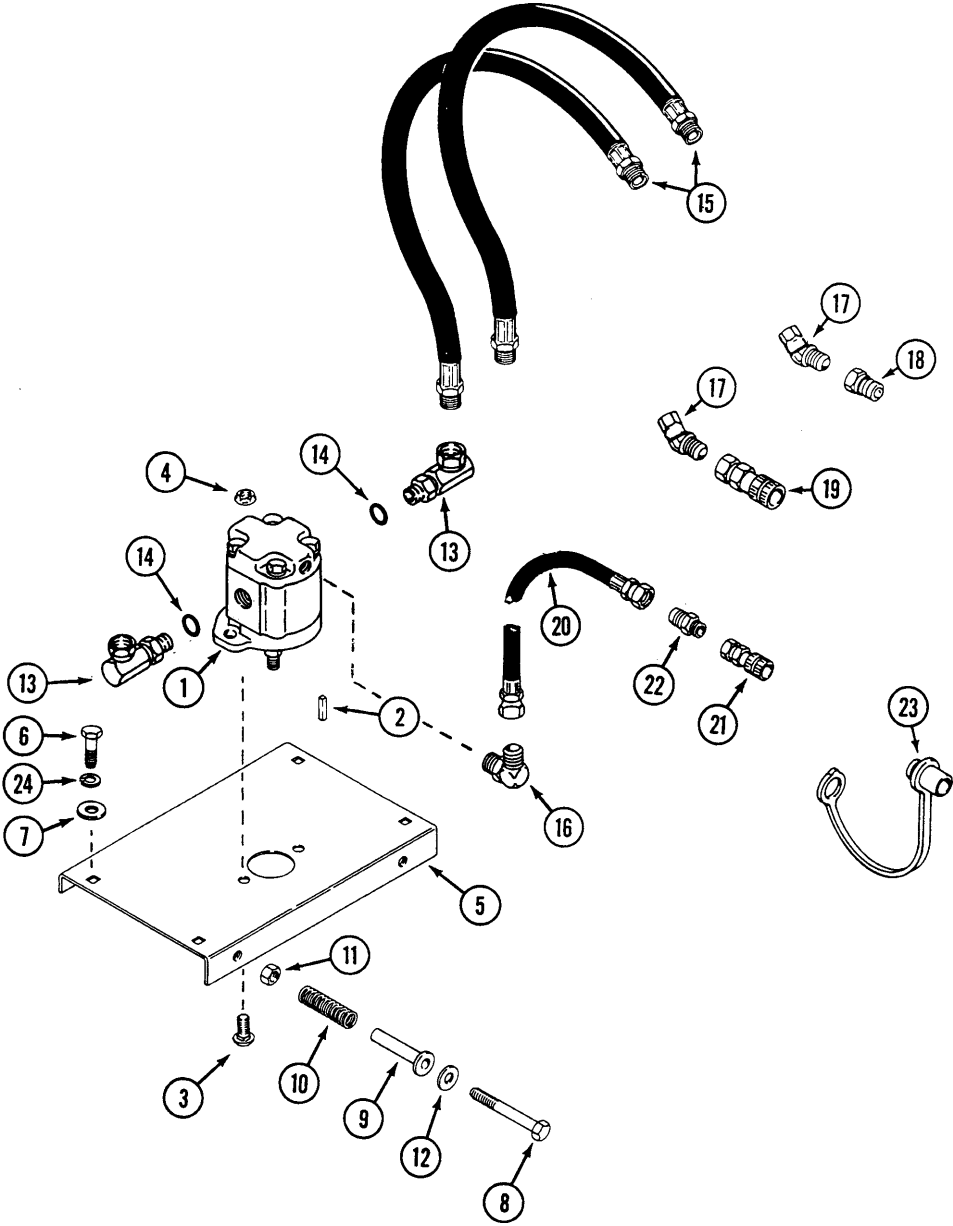


HYDRAULIC DRIVE
(AHC48 Before PIN 150603001)
(HC48 PIN 150404001 to 150602001)

REF.	PART NO.	DESCRIPTION	REQ'D
1	NSS	MOTOR - hydraulic (AHC48 use C46217 Kit) (HC48 use C46216 Kit)	1
	C40815	KIT - seal	1
2	C29581	KEY - motor shaft	1
3	111-366	BOLT - 3/8" - 16 x 1-1/4" carriage	2
4	131-1352	NUT - 3/8" - 16 lock	2
5	C42388	PLATE - mounting	1
6	111-132	BOLT - 5/16" - 18 x 3/4" carriage	4
7	131-911	NUT - 5/16" - 18 lock	4
8	123-101	BOLT - 5/16" - 18 x 4"	2
9	C25829	SPACER - flanged	2
10	C25688	SPRING - compression	2
11	129-102	NUT - 5/16" - 18	2
12	195-520	WASHER - 5/16" x 7/8"	2
13	218-5201	FITTING - 7/8" - 14 "O" ring, 1/2" pipe, 90°	2
14	218-5007	"O" - RING	1
15	C33865	HOSE - hydraulic 48" (HC48)	2
15	C42077	HOSE - 1/2" x 48" (AHC48)	1
15	C40724	HOSE - 1/2" x 56 (AHC48)	1
16	218-5135	FITTING - 9/16" - 18 x 3/8", 45° (AHC48)	1
16	218-5105	FITTING - 9/16" - 18 x 9/16", 90° (HC48)	1
17	217-1086	ELBOW - 45° (AHC48)	1
18	C37187	COUPLER - quick, male 1/2"	1
19	C37188	COUPLER - quick, female 1/2"	1
20	C42412	HOSE - 1/4" x 44" (AHC48) shown	1
20	C37394	HOSE - 1/4" x 51 (HC48)	1
21	C41044	COUPLER - quick, female 1/4"	1
22	218-443	FITTING - 3/8" X 9/16 - 18 (HC48)	1

HYDRAULIC DRIVE
(AHC48 PIN 150603001 and after)
(HC48 PIN 150602001 and after)

BEFORE THESE PINS

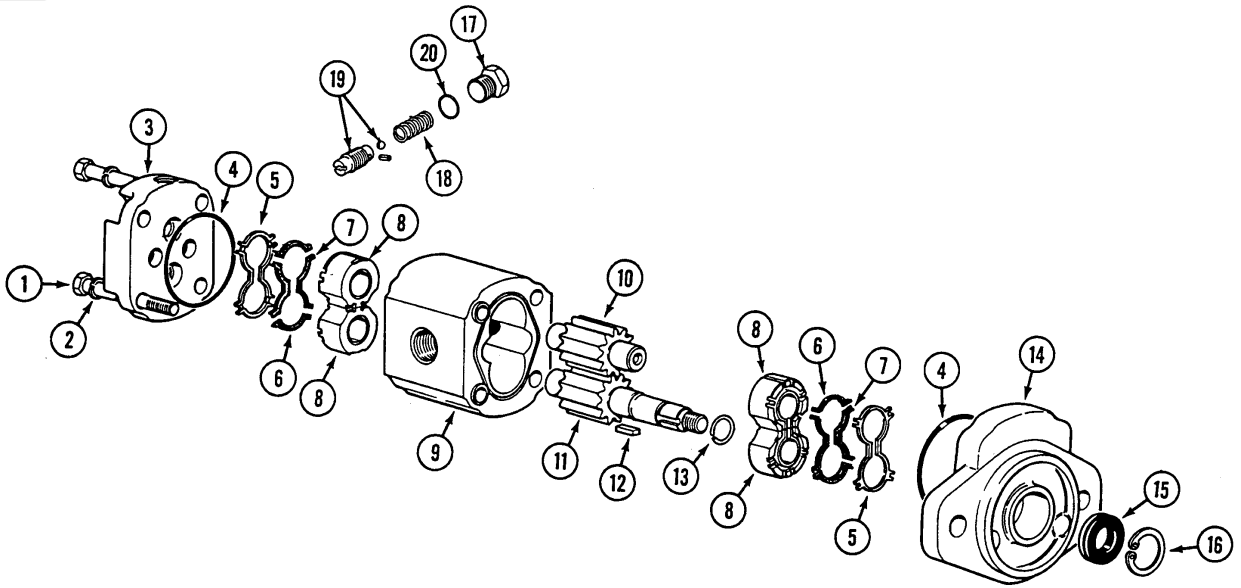


HYDRAULIC DRIVE
(AHC48 PIN 150603001 and after)
(HC48 PIN 150602001 and after)

BEFORE THESE PINS

REF.	PART NO.	DESCRIPTION	REQ'D
1	C46235	MOTOR – ULTRA, hydraulic (Repairs page 15)	1
2	C46237	KEY - motor shaft	1
3	111-366	BOLT - 3/8" - 16 x 1-1/4" carriage	2
4	131-1352	NUT - 3/8" - 16 lock	2
5	C46333	PLATE - mounting	1
6	113-102	BOLT - 5/16" - 18 x 3/4"	4
7	195-103	WASHER - 5/16"	4
8	123-101	BOLT - 5/16" 18 x 4"	2
9	C25829	SPACER - flanged	2
10	C25688	SPRING - compression	2
11	129-102	NUT - 5/16"-18	2
12	195-520	WASHER - 5/16" x 7/8"	2
13	218-5201	FITTING - 7/8" - 14 "O" ring, 1/2" pipe, 90°	2
14	218-5007	"O" - RING	1
15	C40724	HOSE - hydraulic 1/2" x 56" (HC48)	2
15	C42077	HOSE - 1/2" x 48" (AHC48)	1
15	C40724	HOSE - 1/2" x 56" (AHC48)	1
16	218-5105	FITTING - 9/16" - 18 x 9/16" 90°	1
17	218-1086	ELBOW - 45° (AHC48)	2
18	C37187	COUPLER - quick, male 1/2"	1
19	C37188	COUPLER - quick, female 1/2"	1
20	C37394	HOSE - 1/4" x 51"	1
21	C41044	COUPLER - quick, female 1/4"	1
22	218-443	FITTING - 3/8" x 9/16" - 18	1
23	C33404	CAP - dust	1

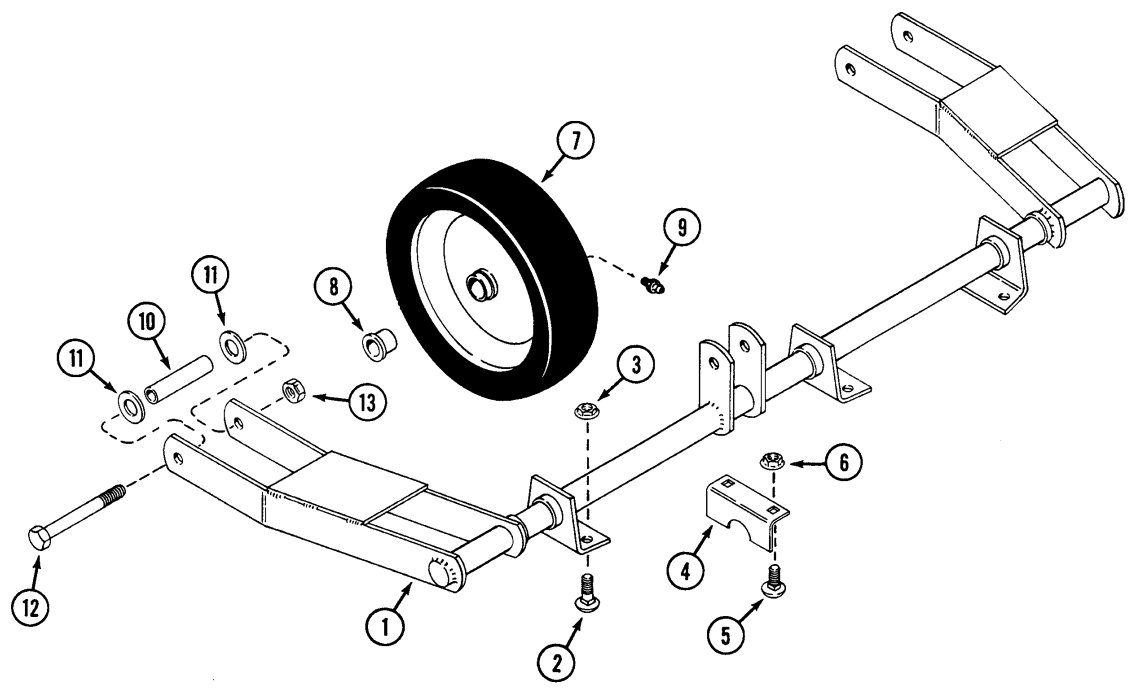
INDEX



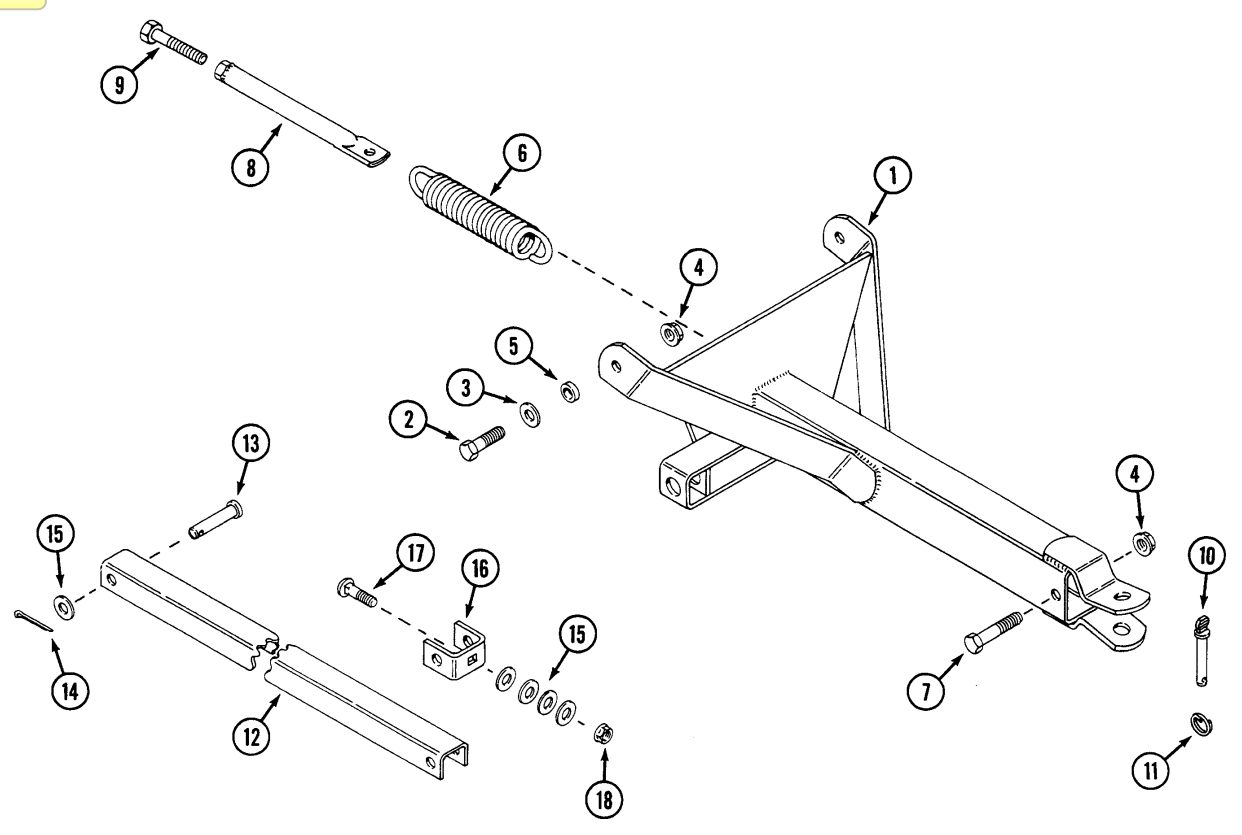
INDEX**HYDRAULIC MOTOR**

REF.	PART NO.	DESCRIPTION	REQ'D
1	NSS	BOLT	4
2	NSS	LOCKWASHER.....	4
3	NSS	COVER - end	1
4	NSS	"O" RING - body (included in seal kit)	2
5	NSS	SEAL - backup (included in seal kit)	2
6	NSS	SEALS - bushings (included in seal kit)	4
7	NSS	SEALS - bushings (included in seal kit)	4
8	NSS	BUSHING	4
9	NSS	BODY	1
10	NSS	GEAR - driven	1
11	NSS	SHAFT AND GEAR - drive.....	1
12	C46237	KEY - square 3/16" x 3/4" (included in seal kit).....	1
13	NSS	RING - retaining (included in seal kit)	1
14	NSS	FLANGE - mounting.....	1
15	C43748	SEAL - oil (included in seal kit)	1
16	NSS	RING - retaining (included in seal kit)	1
17	NSS	CAP - check valve	1
18	NSS	SPRING - check valve	1
19	NSS	VALVE - check	1
20	NSS	"O" RING - cap (included in seal kit)	1
	C43747	KIT – seal Includes items 4, 5, 6, 7, 12, 13, 15, and 20.....	1

INDEX



INDEX



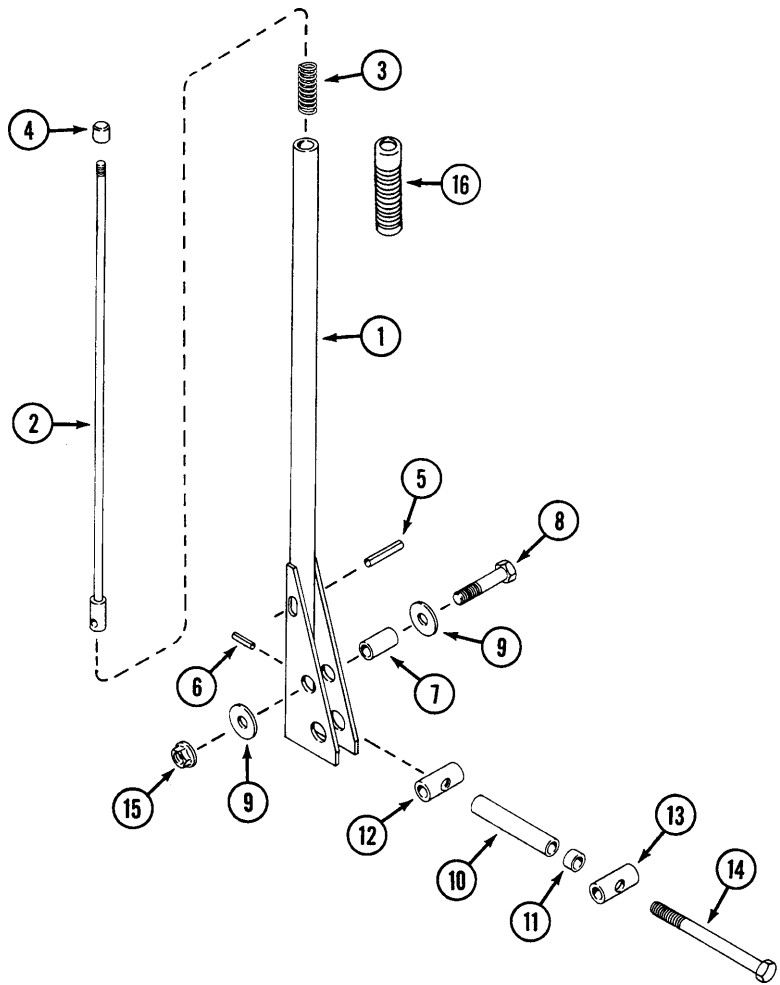
INDEX**AXLE**

REF.	PART NO.	DESCRIPTION	REQ'D
1	C29583	AXLE - gauge wheel	1
2	111-366	BOLT - 3/8" - 16 x 1-1/4" carriage	6
3	131-938	NUT - 3/8" - 16 lock	6
4	C29629	CLAMP - axle	2
5	111-132	BOLT - 5/16" - 18 x 3/4" carriage	4
6	131-911	NUT - 5/16" - 18 lock	4
7	C45889	WHEEL - gauge	2
8	C24503	BUSHING - flanged	2
9	219-10	FITTING - lubrication	1
10	C29590	SLEEVE - wheel	2
11	C12975	WASHER - 3/4" x 1-1/8"	4
12	22-880	BOLT - 1/2" - 13 x 5"	2
13	131-1182	NUT - 1/2" - 13 lock	2

INDEX**HITCH AND LEVELING LINK**

REF.	PART NO.	DESCRIPTION	REQ'D
1	C29591	TONGUE - hitch	1
2	113-417	BOLT - 1/2" - 13 x 1-1/4"	2
3	195-533	WASHER - 1/2"	2
4	131-930	NUT - 1/2" - 13 lock	3
5	C29598	BUSHING - sleeve	2
6	C29630	SPRING - assist	1
7	113-426	BOLT - 1/2" - 13 x 2-3/4"	1
8	C29599	LINK - assist spring	1
9	22-880	BOLT - 1/2" - 13 x 5"	1
10	C26795	PIN - hitch	1
11	C28105	RING - retaining	1
12	C29610	LINK - leveling	1
13	C29804	PIN - clevis	2
14	132-310	PIN - cotter	2
15	195-106	WASHER - 9/16"	6
16	C29611	BRACKET - leveling link	1
17	111-366	BOLT - 3/8" - 16 x 1-1/4" carriage	1
18	131-938	NUT - 3/8" lock	1

INDEX

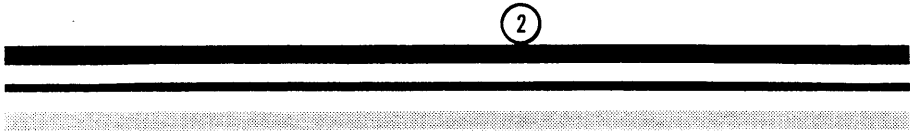


INDEX

HEIGHT ADJUST LEVER

REF.	PART NO.	DESCRIPTION	REQ'D
1	C29601	LEVER - height adjust.....	1
2	C29604	ROD - push	1
3	C15564	SPRING - compression.....	1
4	C14525	BUTTON - thumb	1
5	C29619	PIN - spiral 5/16" x 2"	1
6	C44068	PIN - spiral 1/4" x 1"	1
7	C29607	BUSHING - sleeve	1
8	113-426	BOLT - 1/2" - 13 x 2-3/4"	1
9	195-106	WASHER - 1/2"	2
10	C29631	SPACER - 4-1/2" long	1
11	C29632	SPACER - 5/16" long	1
12	C29608	NUT - tubular, swivel.....	1
13	C29609	SLEEVE - tubular, swivel	1
14	113-2419	BOLT - 1/2" - 13 x 6-1/2"	1
15	131-930	NUT - 1/2" - 13 lock.....	1
16	C39510	GRIP - lift.....	1

INGERSOLL



hydracutter™

6

CAUTION

BE SURE HYDRAULIC PTO IS OFF BEFORE STARTING TRACTOR ENGINE. KEEP AWAY FROM MOWER WHEN ENGAGING PTO. BLADE CONTACT CAN INJURE.

7

CAUTION

KEEP AWAY FROM MOWER WHEN ADJUSTING CUTTING HEIGHT. BLADE CONTACT CAN INJURE.

4

DANGER



SPINNING BLADE
STAY CLEAR OF MOWER WHEN ENGINE IS RUNNING

5

WARNING

FLYING DEBRIS
KEEP PEOPLE AND PETS AWAY FROM OPERATING MOWER. DEBRIS FROM MOWER CAN CAUSE INJURY.

8

BELT TENSION ADJUSTMENT

1) LOOSEN FOUR BOLTS HOLDING MOTOR MOUNTING PLATE TO MOWER.	2) ADJUST BELT TENSIONING BOLTS UNTIL SPACERS PROJECT ONE INCH THICKNESS. USE KEY AS A GAGE.	3) TIGHTEN FOUR MOTOR MOUNTING PLATE BOLTS.
---	--	---

INDEX

DECALS

REF.	PART NO.	DESCRIPTION	REQ'D
1	C29617	DECAL - "Hydracutter (if required).....	2
2	C29073	DECAL - Stripe 52" (1320 mm) cut to length (if required).....	UAR
3	C32093	DECAL - "Ingersoll" shown.....	3
4	C46323	DECAL - "Spinning Blade"	3
5	C29768	DECAL - "Flying Debris".....	1
6	C29769	DECAL - hydraulic PTO	1
7	C29770	DECAL - height adjustment.....	1
8	C29880	DECAL - belt adjustment.....	1