



Ingersoll

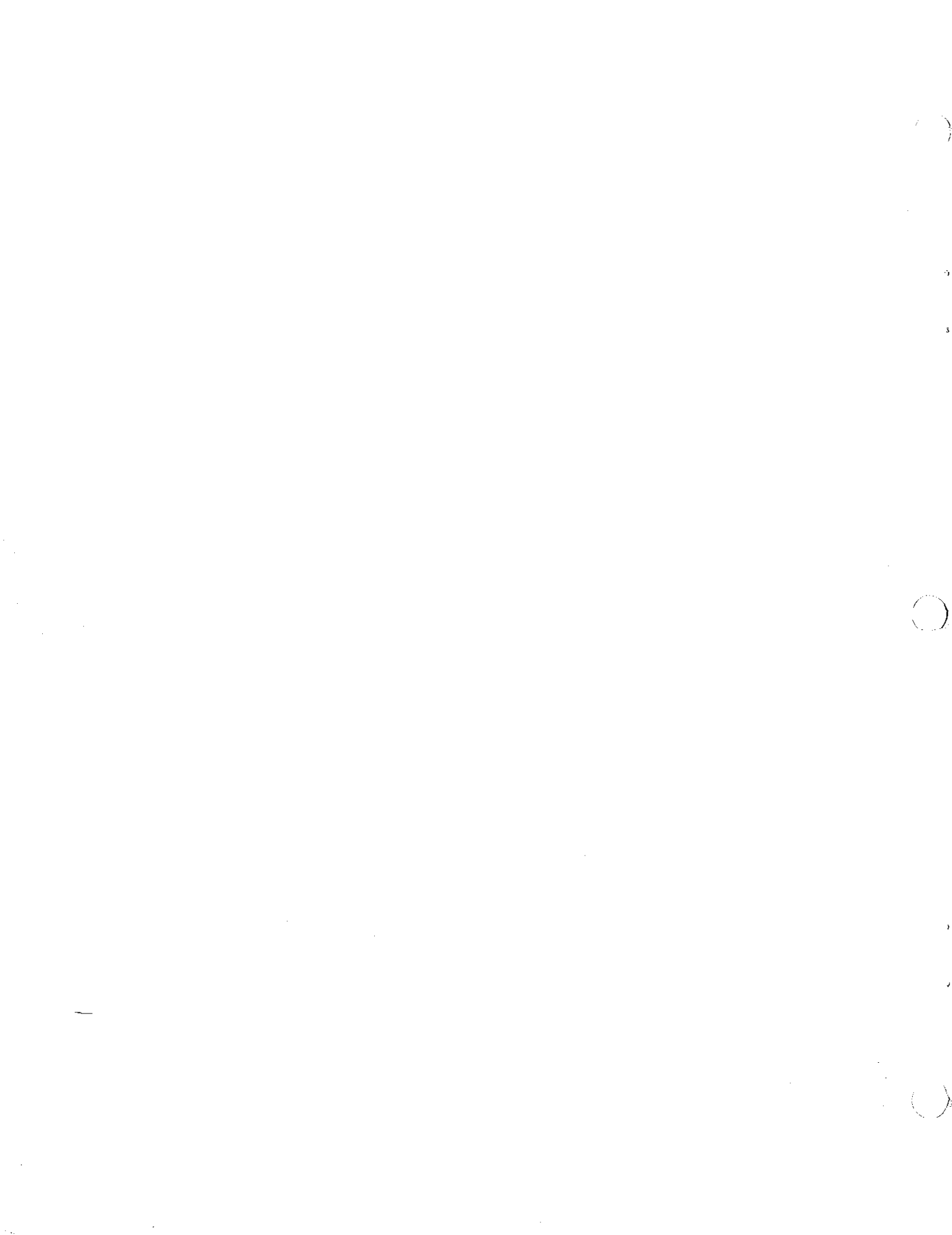
**ATTACHMENTS FOR
5012, 5018 FRONT CUT MOWERS
Includes: Mowers, Snowblower,
Utility Blade and Vac Blower
Parts Catalog 8-3250**



QUALITY IN THE AMERICAN TRADITION

Ingersoll Equipment Co., Inc.

Winneconne, Wisconsin 54986-9576



**FRONT CUT MOWER ATTACHMENTS
FM52, FM4212, FM4218, FM5212
FM5218, FM6218 MOWERS
FCSB51 SNOWBLOWER
FCUB54 UTILITY BLADE
EDL ELECTRIC DECK LIFT
VB4252, VB62 VAC BLOWER
FCBC BARREL COLLECTOR
FCMGB GRASS BOX
Parts Catalog 8-3250**

6-92-RP-500-207

APPLICATION CHART

FRONT CUT MOWER MODEL

5012

ATTACHMENT MODEL

FM52R, FM4212, FM5212 MOWER DECK

FCSB51, SNOWBLOWER

FCUB54 UTILITY BLADE

5018

FM52R, FM4218, FM5218, FM6218
MOWER DECK

FCSB51 SNOWBLOWER

FCUB54 UTILITY BLADE

VAC BLOWER MODEL

UB4252

USE ON DECK MODEL

FM4212, FM5212, FM4218, FM5218

UB62

FM6218

GENERAL INFORMATION

INDEX

There is an index at the front and rear of this catalog.

The front index is an alphabetical index of the major groups or assemblies.

The rear index is a numerical index of the part numbers and pages on which these numbers are shown.

ILLUSTRATION

Each illustration in this catalog shows a group of parts or components. These parts and components are aligned approximately as the parts and components on your machine. Each part and component in an illustration has a reference number. These reference numbers are in a list on the page opposite of the illustration. Next to the reference number is the part number, description and required quantity of the part shown in the illustration.

UAR - "Use as required" indicates that the part quantity is variable.

NSS - "Not sold separately" indicates that the part is only available as a component of an assembly or the part must be purchased locally. If the part is an assembly component, the description will be indented under the assembly description in the parts list.

O/L - "Obtain locally"

** - "Footnotes" are added to a part number when more information is needed for identification. They only relate to the part numbers indicated.

INDENTED DESCRIPTIONS

An assembly can have many components. The components of an assembly are indicated by an indented description. The quantity for an indented part is the total needed for that complete assembly. See the example.

| REF. | PART NO. | DESCRIPTION | REQ'D |
|------|----------|--------------------------------|-------|
| | C 55159 | CYLINDER ASSY - rear steering | 1 |
| 28 | C 56208 | SOCKET ASSY - rear cylinder | 1 |
| 29 | C 55956 | PLUG - adjusting, socket assy | 1 |
| 30 | C 55957 | SEAT - socket ball | 2 |
| 31 | C 56210 | SPRING - socket | 1 |
| 32 | C 56209 | SEAT - socket spring | 1 |
| 33 | G 45175 | CLAMP ASSY - socket assy | 1 |
| | 16- 836 | BOLT - 1/2" x 2-1/4" N.F. hex | 1 |
| 34 | 132- 104 | PIN - cotter, 3/16" x 3" | 1 |
| 35 | C 55889 | STUD - ball, socket & cylinder | 2 |
| 36 | 13- 410 | BOLT - 1/4" x 5/8" N.C., hex | 4 |
| 37 | 92- 4 | LOCK WASHER - 1/4" SAE | 4 |

PARTS ORDERS

All orders must include the following information:

1. Correct part number.
2. Complete description of part or component.
3. Total quantity of each part or component.
4. Product model number.
5. All necessary product identification numbers.
6. Method for sending the parts.
7. Complete and correct address.

CATALOG REVISIONS

As the product changes, new pages will be available for your catalog. A notice will be issued.

IMPORTANT: Put all revisions into the catalog as soon as possible.

RIGHT HAND AND LEFT HAND IDENTIFICATION

The words right hand (RH) and left hand (LH) as used in this catalog indicate the direction while you are in the operator's seat in the normal operating position.

TABLE OF CONTENTS

FM52R MOWER DECK

| | |
|--|----|
| Mower Deck and Attaching Parts | 5 |
| Gear Box | 21 |
| Decals | 27 |

FM4212 AND FM 4218 MOWER DECK

| | |
|--|----|
| Mower Deck and Attaching Parts | 9 |
| Mower Drive | 11 |
| Gear Box | 21 |
| Decals | 27 |

FM5212 AND FM5218 MOWER DECK

| | |
|--|----|
| Mower Deck and Attaching Parts | 13 |
| Mower Drive | 15 |
| Gear Box | 21 |
| Decals | 27 |

FM6218 MOWER DECK

| | |
|--|----|
| Mower Deck and Attaching Parts | 17 |
| Mower Drive | 19 |
| Gear Box | 21 |
| Decals | 27 |

FCSB51 SNOWBLOWER

| | |
|-----------------------------|----|
| Entire Parts List | 23 |
| Decals | 27 |

FCUB54 UTILITY BLADE

| | |
|-----------------------------|----|
| Entire Parts List | 25 |
| Decals | 27 |

EDL ELECTRIC DECK LIFT KIT

| | |
|-----------------------------|----|
| Entire Parts List | 29 |
|-----------------------------|----|

VB4252 AND VB62 VAC BLOWER

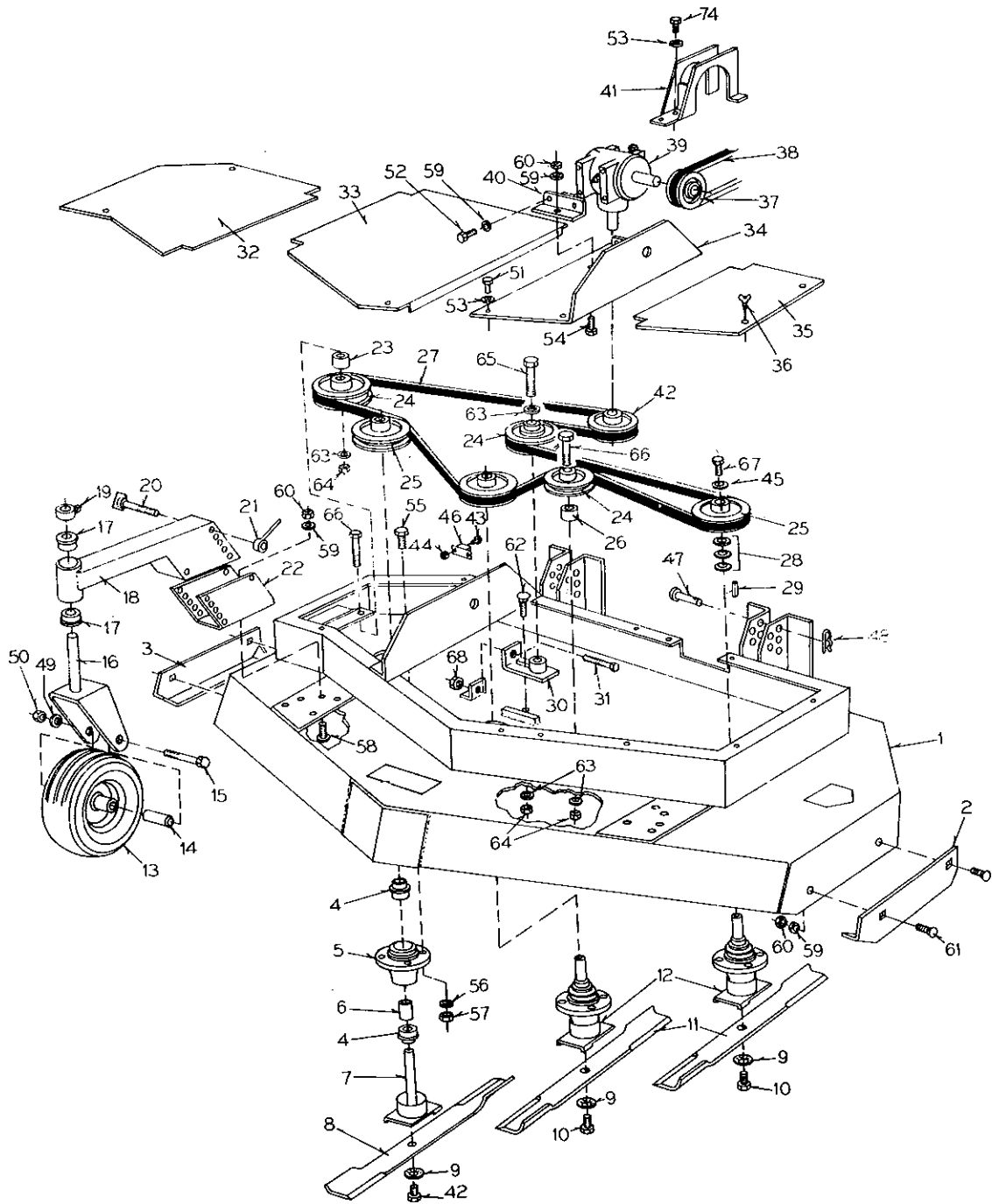
| | |
|-----------------------------|----|
| Entire Parts List | 31 |
|-----------------------------|----|

FCBC BARREL COLLECTOR

| | |
|-----------------------------|----|
| Entire Parts List | 33 |
|-----------------------------|----|

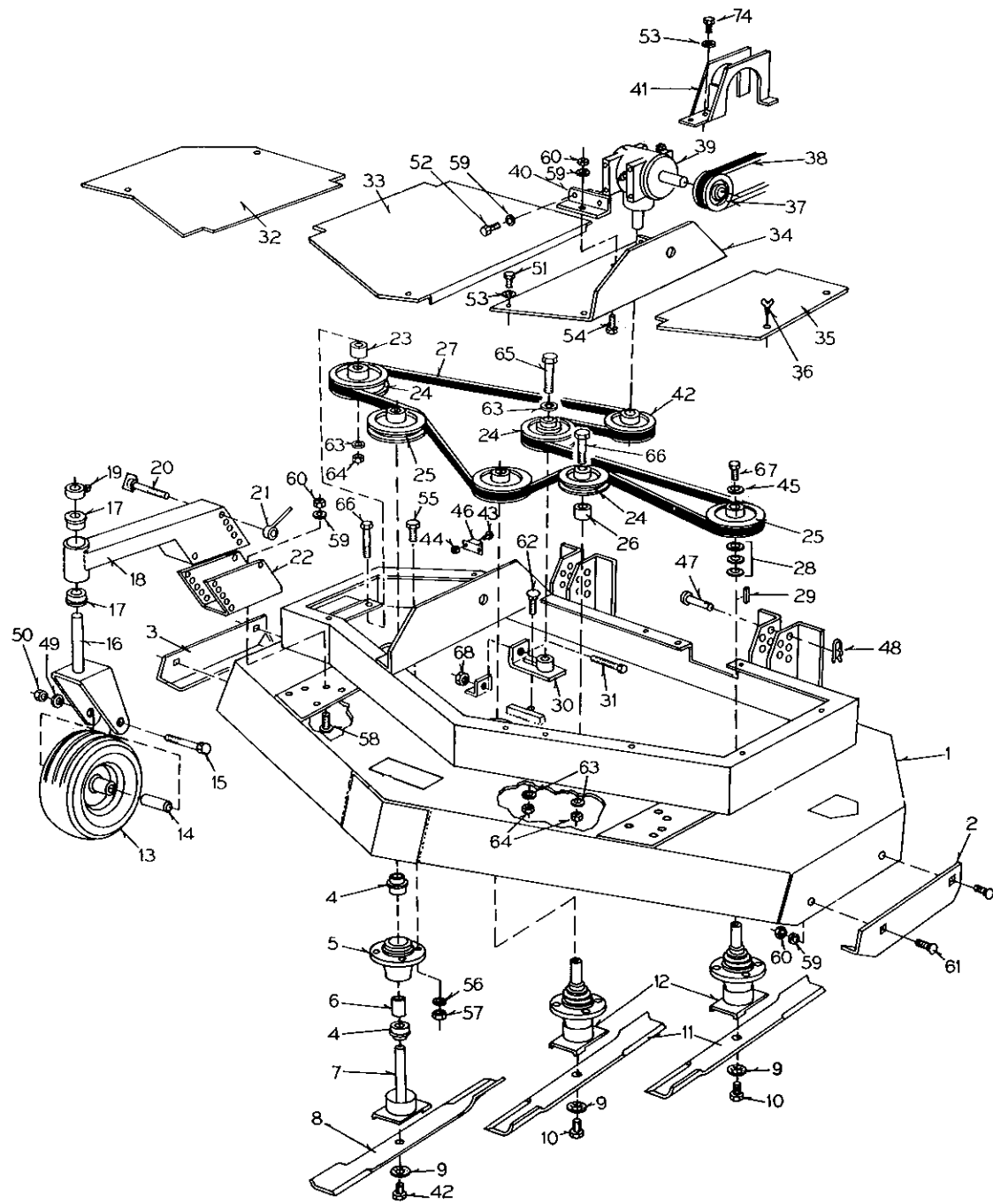
FCMGB GRASS BOX

| | |
|-----------------------------|----|
| Entire Parts List | 35 |
|-----------------------------|----|



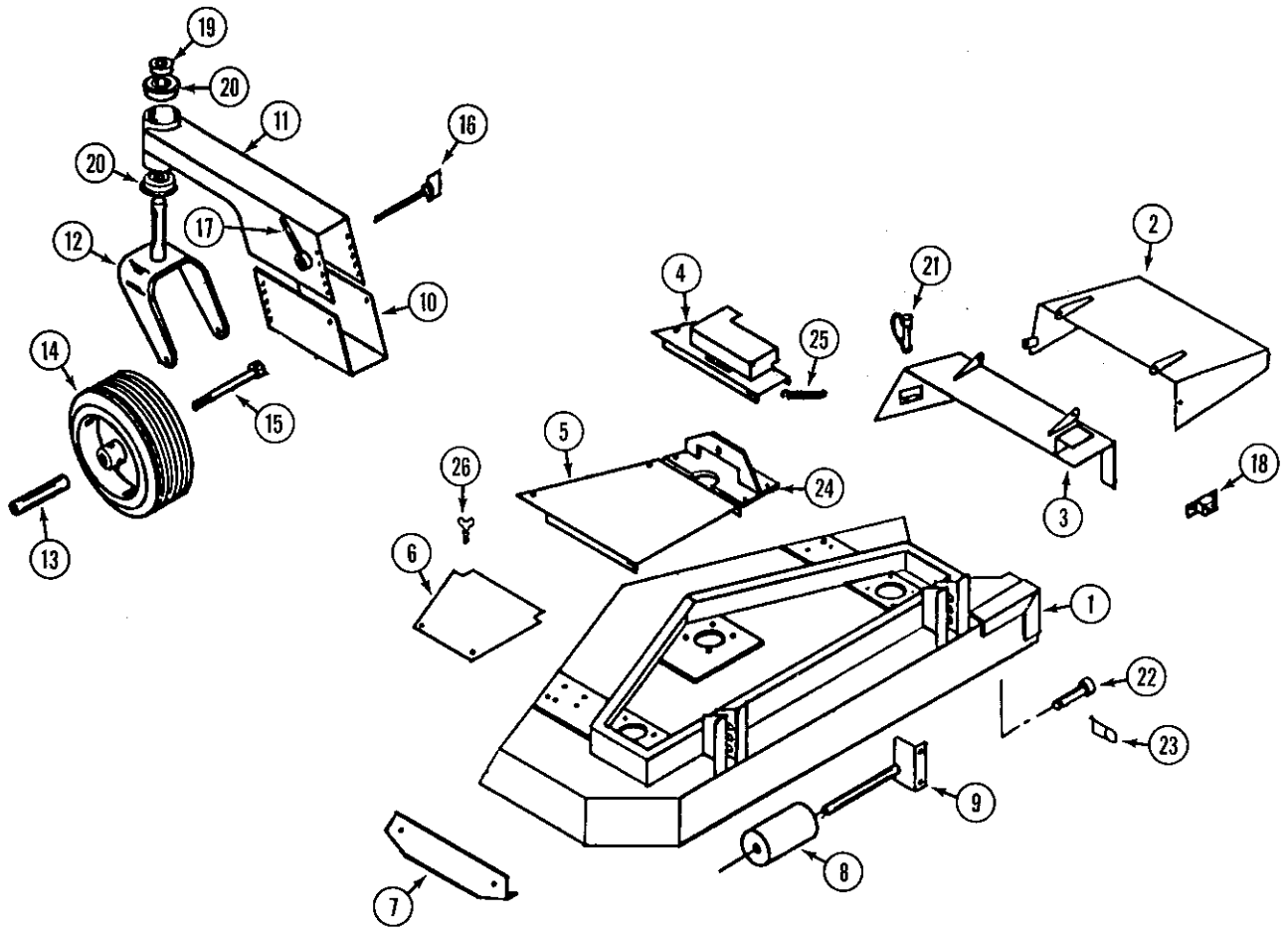
MOWER DECK AND ATTACHING PARTS

| REF. | PART NO. | DESCRIPTION | REQ'D |
|------|----------|------------------------------------|-------|
| 1 | C 42228 | DECK - rear discharge 52" | 1 |
| 2 | C 37942 | SHOE - skid L.H. | 1 |
| 3 | C 38073 | SHOE - skid R.H. | 1 |
| 4 | C 37882 | BEARING - spindle 7/8 | 6 |
| 5 | C 37880 | HOUSING - spindle | 3 |
| 6 | C 37881 | SPACER - spindle | 3 |
| 7 | C 38074 | SHAFT - spindle L.H. rotation | 1 |
| 8 | C 38075 | BLADE - L.H. rotation | 1 |
| 9 | C 37886 | WASHER - blade | 3 |
| 10 | C 37557 | BOLT - 3/8" - 24 x 1-1/4" | 2 |
| 11 | C 37930 | BLADE - R.H. rotation | 2 |
| 12 | C 37883 | SHAFT - spindle | 2 |
| 13 | C 37916 | WHEEL - gauge | 2 |
| | C 37917 | TIRE - 11 x 4.00 - 5 | 1 |
| | C 37918 | RIM - 5" | 1 |
| | C 37872 | BEARING - wheel | 2 |
| 14 | C 37915 | AXLE - gauge wheel | 2 |
| 15 | C 38056 | BOLT - 1/2" - 13 x 6-1/2" | 2 |
| 16 | C 37914 | FORK - gauge wheel | 2 |
| 17 | C 37824 | BEARING - 1" | 4 |
| 18 | C 37913 | MOUNT - gauge wheel | 2 |
| 19 | C 37860 | COLLAR - set 1" | 2 |
| 20 | C 37920 | BOLT - wing 3/8" - 16 x 4-1/2" | 4 |
| 21 | C 37921 | NUT - gauge wheel handle 3/8" - 16 | 4 |
| 22 | C 37912 | BRACKET - gauge wheel mount | 2 |
| 23 | C 38076 | SPACER - idler pulley | 1 |
| 24 | C 38077 | PULLEY - idler 5" | 3 |
| 25 | C 38078 | PULLEY - spindle 4-1/2" | 3 |
| 26 | C 37937 | SPACER - idler pulley | 1 |
| 27 | C 38079 | BELT - deck | 1 |
| 28 | C 37888 | WASHER - spacer | 9 |
| 29 | C 37771 | KEY - 3/16" x 3/16" x 1" | 5 |
| 30 | C 38080 | TIGHTENER - belt | 1 |
| 31 | C 37901 | BOLT - 1/4" - 20 x 4" | 1 |
| 32 | C 42230 | COVER - R.H. | 1 |
| 33 | C 39203 | COVER - center | 1 |
| 34 | C 39205 | MOUNT - gear box | 1 |
| 35 | C 39200 | COVER - L.H. | 1 |



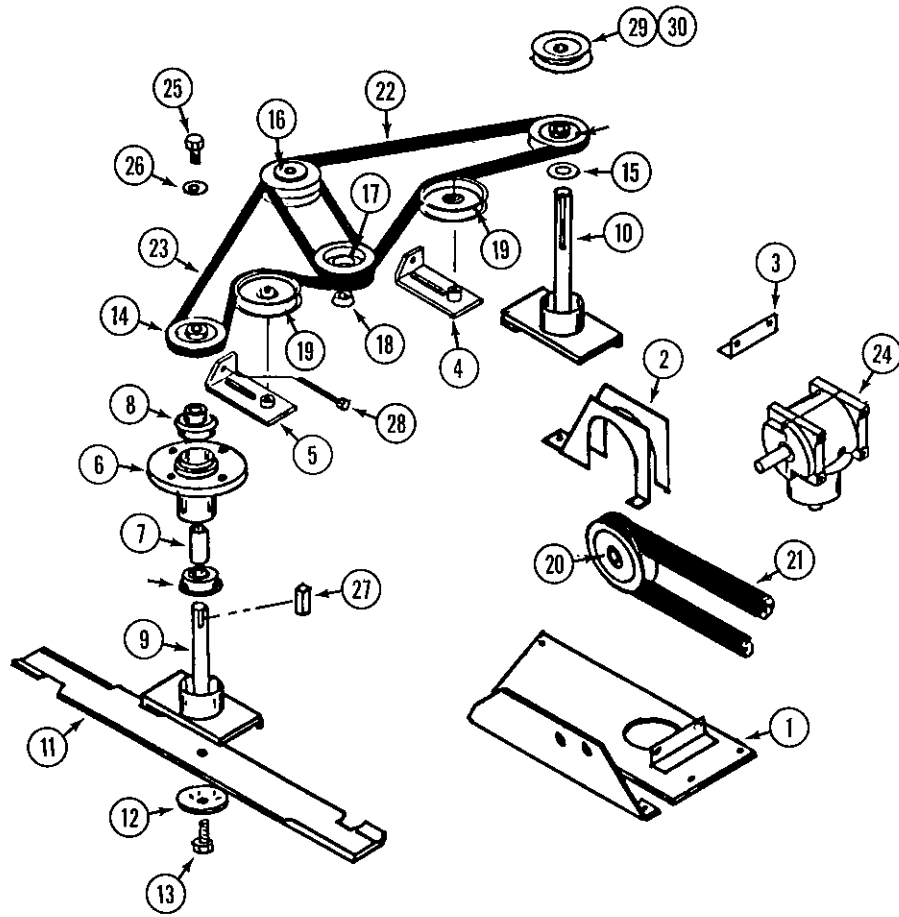
MOWER DECK AND ATTACHING PARTS

| REF. | PART NO. | DESCRIPTION | REQ'D |
|------|----------|--|-------|
| 36 | C 37927 | SCREW - thumb 1/4" - 20 x 1/2" | 6 |
| 37 | C 37892 | PULLEY - gear box input | 1 |
| 38 | C 37894 | BELT - drive | 1 |
| 39 | C 37898 | GEAR BOX - angle drive (see page 21 for service) | 1 |
| 40 | C 37877 | ANGLE - gear box mount | 1 |
| 41 | C 37875 | GUARD - belt | 1 |
| 42 | C 38083 | BOLT - 3/8" - 24 x 1-1/4" L.H. | 1 |
| 43 | C 37597 | SCREW - # 10 - 32 x 1/2" | 2 |
| 44 | C 37598 | NUT - lock #10 - 32 | 2 |
| 45 | C 37900 | WASHER - spindle | 3 |
| 46 | C 37505 | BREAKER - circuit 10 amp | 1 |
| 47 | C 38589 | PIN - clevis 1/2" x 1-1/2" | 2 |
| 48 | C 38096 | PIN - cotter, hair | 2 |
| 49 | C 37590 | LOCKWASHER - 1/2" | 2 |
| 50 | C 37593 | NUT - 1/2" - 13 | 2 |
| 51 | C 38084 | BOLT - 1/4" - 20 x 3/4" | 5 |
| 52 | C 38085 | BOLT - 5/16" - 18 x 1" | 4 |
| 53 | C 37757 | LOCKWASHER - 1/4" | 7 |
| 54 | C 38086 | BOLT - 5/16" - 18 x 3/4" | 1 |
| 55 | C 38087 | BOLT - 7/16" - 14 x 1-1/4" | 1 |
| 56 | C 38088 | LOCKWASHER - 7/16" | 12 |
| 57 | C 38089 | NUT - 7/16" - 14 | 12 |
| 58 | C 38090 | BOLT - carriage 5/16" - 18 x 1" | 6 |
| 59 | C 37748 | LOCKWASHER - 5/16" | 10 |
| 60 | C 37560 | NUT - 5/16" | 10 |
| 61 | C 38091 | BOLT - carriage 5/16" - 18 x 3/4" | 4 |
| 62 | C 38092 | BOLT - carriage 3/8" - 16 x 1" | 1 |
| 63 | C 37591 | LOCKWASHER - 3/8" | 4 |
| 64 | C 37592 | NUT - 3/8" - 16 | 3 |
| 65 | C 38093 | BOLT - 3/8" - 16 x 1-1/4" | 1 |
| 66 | C 38094 | BOLT - 3/8" - 16 x 2-1/2 | 2 |
| 67 | C 37899 | BOLT - 5/16" - 24 x 3/4" | 3 |
| 68 | C 37734 | NUT - lock 1/4" - 20 | |



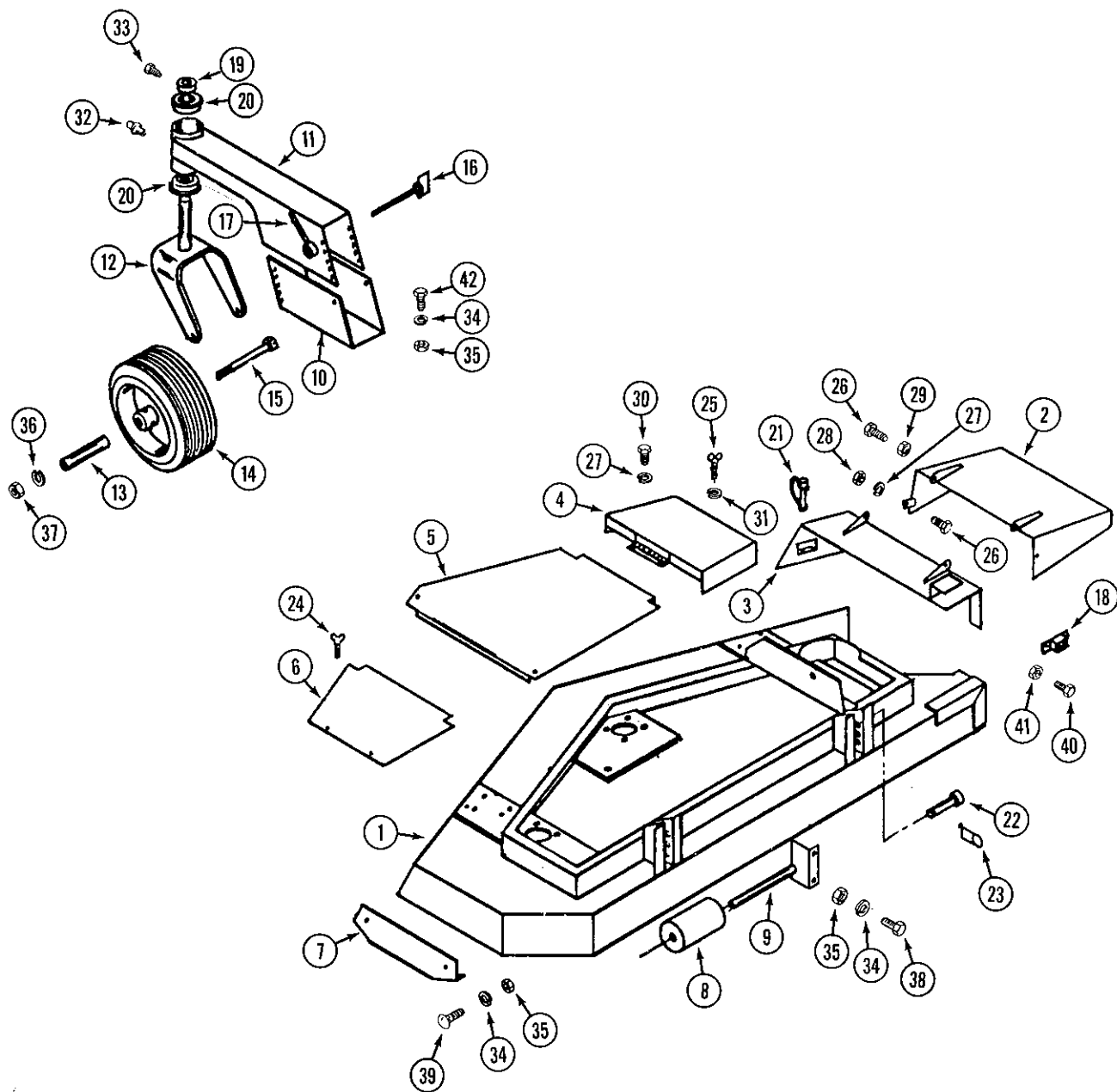
MOWER DECK AND ATTACHING PARTS

| REF. | PART NO. | DESCRIPTION | REQ'D |
|------|----------|--|-------|
| 1 | C 41249 | DECK - 42" | 1 |
| 2 | C 39208 | CHUTE - foot guard | 1 |
| 3 | C 39209 | MOUNT - foot guard | 1 |
| 4 | C 41255 | COVER - pulley | 1 |
| 5 | C 41259 | COVER - center | 1 |
| 6 | C 38063 | COVER - L.H. | 1 |
| 7 | C 38451 | SHOE - skid L.H. | 1 |
| 8 | C 37910 | ROLLER - anti-scalp | 1 |
| 9 | C 37911 | SHAFT - roller | 1 |
| 10 | C 37912 | BRACKET - gauge wheel mount | 2 |
| 11 | C 37913 | MOUNT - gauge wheel | 2 |
| 12 | C 37914 | FORK | 2 |
| 13 | C 37915 | AXLE - wheel | 2 |
| 14 | C 37916 | WHEEL - gauge | 2 |
| | C 37917 | TIRE - 11 x 4.00 - 5 | 1 |
| | C 37918 | RIM - 5" | 1 |
| | C 37872 | BEARING - wheel | 2 |
| 15 | C 38056 | BOLT - 1/2" - 13 x 6-1/2" | 2 |
| 16 | C 37920 | BOLT - wing | 4 |
| 17 | C 37921 | NUT - gauge wheel handle | 4 |
| 18 | C 37505 | BREAKER - circuit 10 amp | 1 |
| 19 | C 37860 | COLLAR - set 1" | 2 |
| 20 | C 37824 | BEARING - 1" | 4 |
| 21 | C 37922 | PIN - "fas-tatch" | 1 |
| 22 | C 38095 | PIN - deck | 2 |
| 23 | C 37924 | PIN - cotter, hair | 2 |
| 24 | C 37925 | MOUNT - deck | 1 |
| 25 | C 37926 | SPRING - | 1 |
| 26 | C 37927 | SCREW - thumb 1/4" - 20 x 1/2" | 4 |



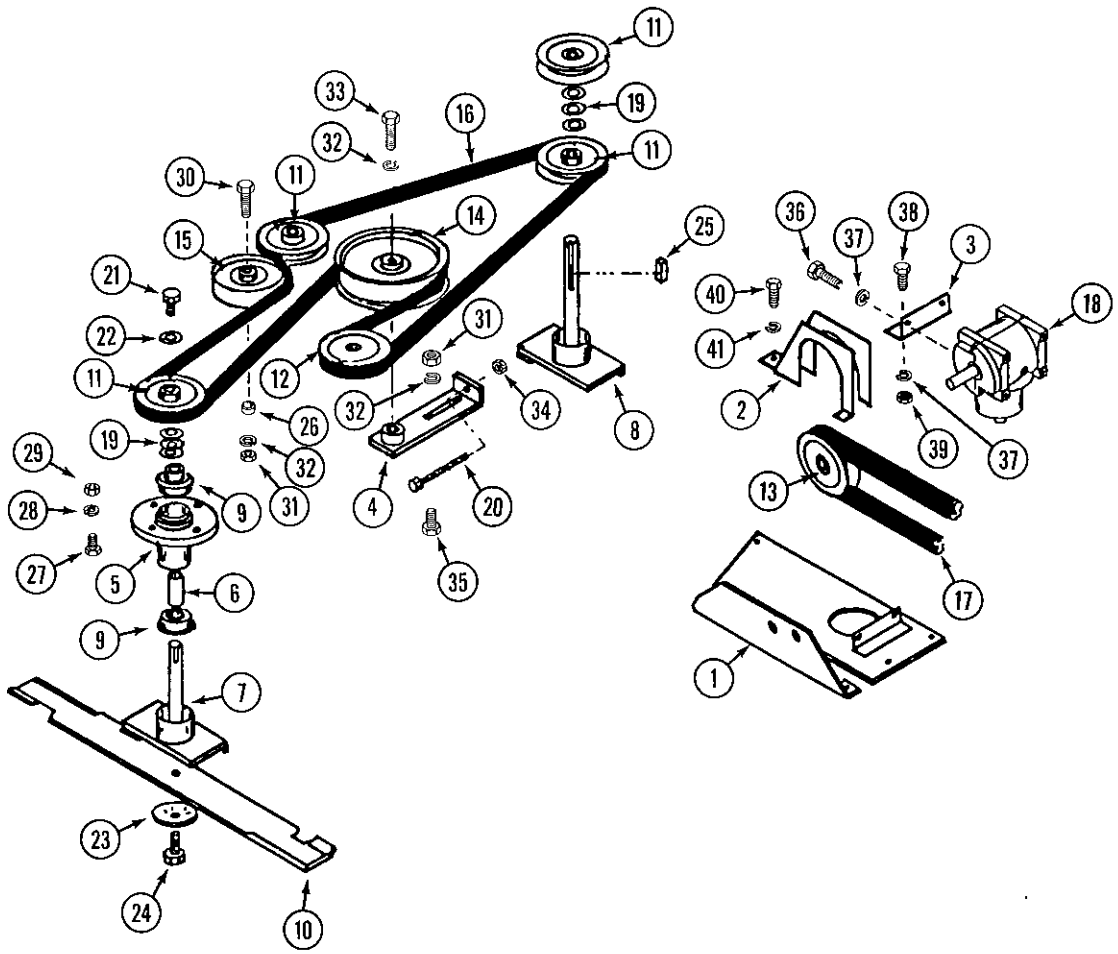
MOWER DRIVE

| REF. | PART NO. | DESCRIPTION | REQ'D |
|------|----------|--|-------|
| 1 | C 41269 | MOUNT - gear box | 1 |
| 2 | C 37875 | GUARD - belt | 1 |
| 3 | C 37877 | ANGLE - gear box mount | 1 |
| 4 | C 37878 | TIGHTENER - belt | 1 |
| 5 | C 37879 | TIGHTENER - belt | 1 |
| 6 | C 37880 | HOUSING - spindle | 3 |
| 7 | C 37881 | SPACER - spindle | 3 |
| 8 | C 37882 | BEARING - spindle | 6 |
| 9 | C 37883 | SHAFT - spindle | 2 |
| 10 | C 37884 | SHAFT - spindle | 1 |
| 11 | C 37885 | BLADE - (4218) | 3 |
| 11 | C 38036 | BLADE - (4212) | 3 |
| 12 | C 37886 | WASHER - blade | 3 |
| 13 | C 37557 | BOLT - 3/8" - 24 x 1-1/4" | 3 |
| 14 | C 37887 | PULLEY - spindle | 2 |
| 15 | C 37888 | WASHER - spacer | 9 |
| 16 | C 37889 | PULLEY - spindle, double | 1 |
| 17 | C 37890 | PULLEY - gear box output | 1 |
| 18 | C 41658 | HUB - pulley | 1 |
| 19 | C 37891 | PULLEY - idler | 2 |
| 20 | C 37892 | PULLEY - gear box input | 1 |
| 21 | C 37894 | BELT - drive | 1 |
| 22 | C 37896 | BELT - deck | 1 |
| 23 | C 37897 | BELT - deck | 1 |
| 24 | C 37898 | GEAR BOX - see page 21 for repairs | 1 |
| 25 | C 37899 | BOLT - 5/16" - 24 x 3/4" | 3 |
| 26 | C 37900 | WASHER - 5/16", 10 ga. | 3 |
| 27 | C 37771 | KEY - 3/16" x 3/16" x 1" | 6 |
| 28 | C 37901 | BOLT - 1/4" - 20 x 4" | 2 |
| 29 | C 38037 | PULLEY - spindle (4212) | 1 |
| 30 | C 37887 | PULLEY - spindle (4218) | 1 |



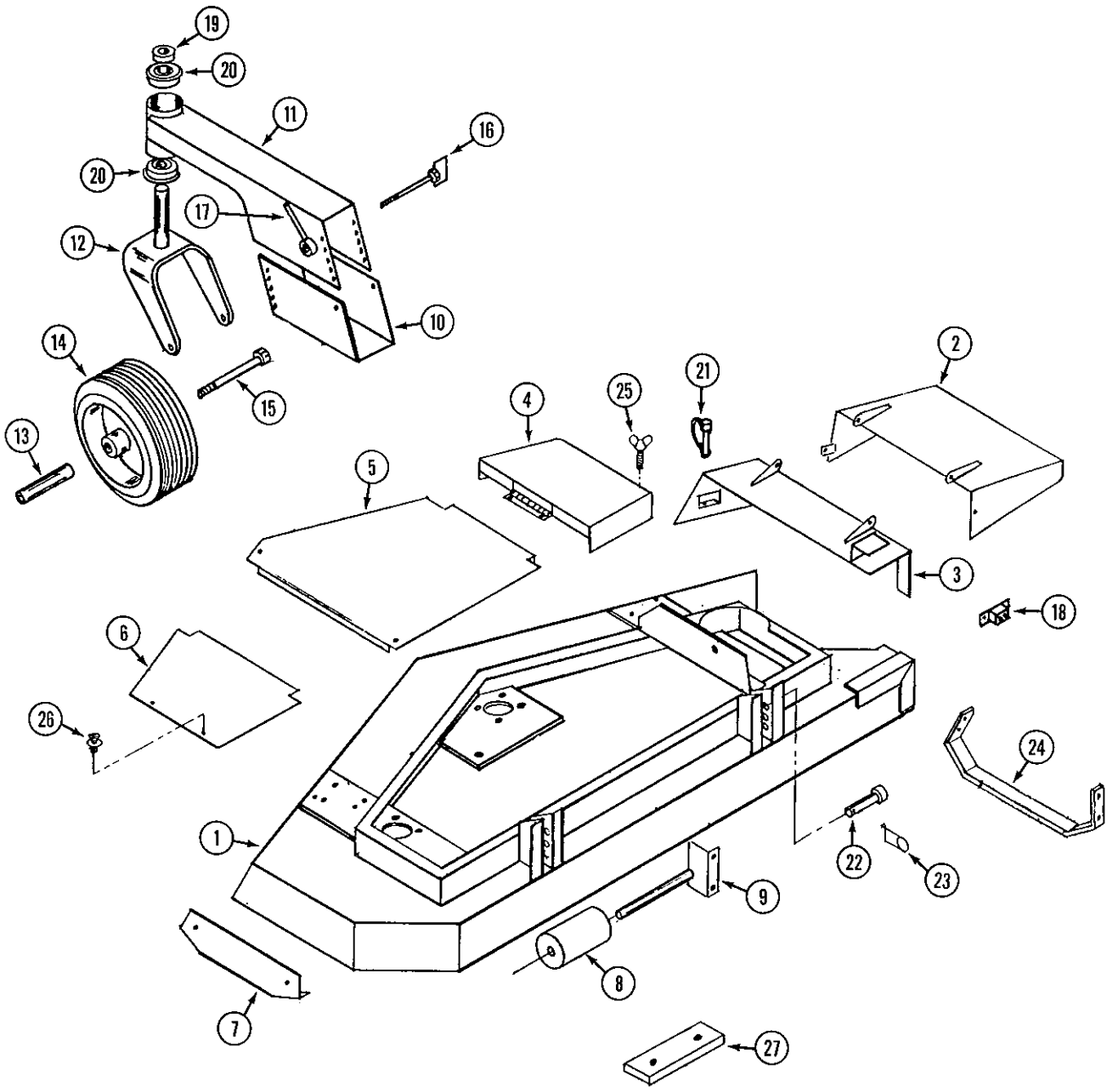
MOWER DECK AND ATTACHING PARTS

| REF. | PART NO. | DESCRIPTION | REQ'D |
|------|-----------|---|-------|
| 1 | C 39210 | DECK - 52" | 1 |
| 2 | C 39208 | CHUTE - foot guard | 1 |
| 3 | C 39209 | MOUNT - foot guard | 1 |
| 4 | C 39204 | COVER - pulley | 1 |
| 5 | C 39203 | COVER - center | 1 |
| 6 | C 39200 | COVER - L.H. | 1 |
| 7 | C 37942 | SHOE - skid | 1 |
| 8 | C 37910 | ROLLER - anti-scalp | 1 |
| 9 | C 37911 | SHAFT - roller | 1 |
| 10 | C 37912 | BRACKET - gauge wheel mount | 2 |
| 11 | C 37913 | MOUNT - gauge wheel | 2 |
| 12 | C 37914 | FORK | 2 |
| 13 | C 37915 | AXLE - wheel | 2 |
| 14 | C 37916 | WHEEL - gauge | 2 |
| | C 37917 | TIRE - 11 x 4.00 - 5 | 1 |
| | C 37918 | RIM - 5" | 1 |
| | C 37872 | BEARING - wheel | 2 |
| 15 | 113- 2419 | BOLT - 1/2" - 13 x 6-1/2" | 2 |
| 16 | C 37920 | BOLT - wing | 4 |
| 17 | C 37921 | NUT - gauge wheel handle | 4 |
| 18 | C 37505 | BREAKER - circuit, 10 amp | 1 |
| 19 | C 37860 | COLLAR - set | 2 |
| 20 | C 37824 | BEARING - 1" | 4 |
| 21 | C 37922 | PIN - "fas-tatch" | 1 |
| 22 | C 29692 | PIN - deck | 1 |
| 23 | C 29029 | PIN - cotter, hair | 2 |
| 24 | C 37927 | SCREW - thumb 1/4" - 20 x 1/2" | 4 |
| 25 | C 37943 | SCREW - wing 1/4" - 20 x 1" | 1 |
| 26 | 113- 3 | BOLT - 1/4" - 20 x 3/4" | 4 |
| 27 | 192- 19 | LOCKWASHER - 1/4" | 2 |
| 28 | 129- 101 | NUT - 1/4" - 20 | 2 |
| 29 | 131- 71 | NUT - 1/4" - 20 lock | 2 |
| 30 | 113- 1 | BOLT - 1/4" - 20 x 1" | 2 |
| 31 | 195- 102 | WASHER - 1/4" | 1 |
| 32 | C 37993 | FITTING - grease | 2 |
| 33 | C 37756 | SCREW - set 5/16" - 18 x 1/2" square head | 2 |
| 34 | 192- 20 | LOCKWASHER - 5/16" | 6 |
| 35 | 129- 102 | NUT - 5/16" - 18 | 6 |
| 36 | 192- 23 | LOCKWASHER - 1/2" | 2 |
| 37 | 129- 105 | NUT - 1/2" - 13 | 2 |
| 38 | 113- 102 | BOLT - 5/16" - 18 x 3/4" | 2 |
| 39 | 111- 202 | BOLT - 5/16" - 18 x 3/4" carriage | 2 |
| 40 | 182- 528 | SCREW - #10 - 32 x 1/2" | 2 |
| 41 | C 37598 | NUT - #10 - 32 | 2 |
| 42 | 111- 203 | BOLT - 5/16" - 18 x 1" carriage | 6 |



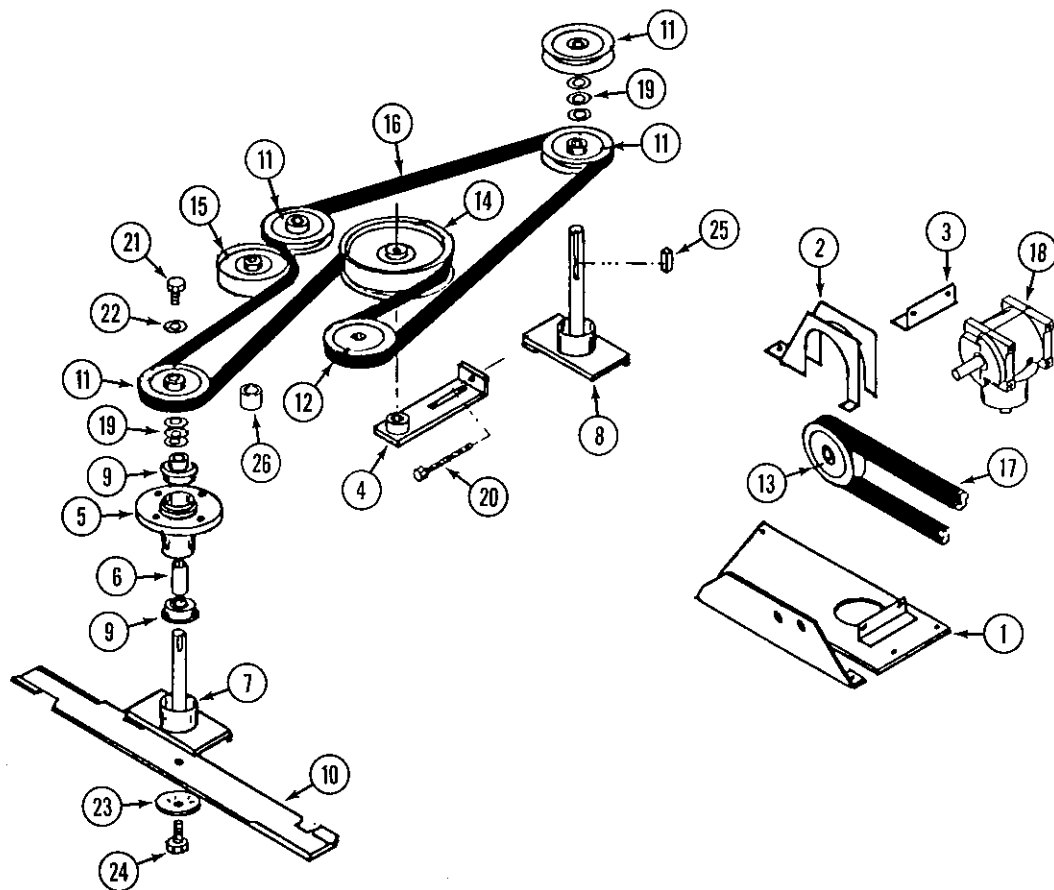
MOWER DRIVE

| REF. | PART NO. | DESCRIPTION | REQ'D |
|------|----------|--|-------|
| 1 | C 39205 | MOUNT - gear box | 1 |
| 2 | C 37875 | GUARD - belt | 1 |
| 3 | C 37877 | ANGLE - gear box mount | 1 |
| 4 | C 37929 | TIGHTENER - belt | 1 |
| 5 | C 37880 | HOUSING - spindle | 3 |
| 6 | C 37881 | SPACER - spindle | 3 |
| 7 | C 37883 | SHAFT - spindle | 3 |
| 8 | C 37884 | SHAFT - spindle, long | 1 |
| 9 | C 37882 | BEARING - spindle | 3 |
| 10 | C 37930 | BLADE - mower (FM5218) | 3 |
| 10 | C 38042 | BLADE - mower (FM5212) | 3 |
| 11 | C 37931 | PULLEY - spindle | 4 |
| 12 | C 37932 | PULLEY - gear box output | 1 |
| 13 | C 37892 | PULLEY - gear box input | 1 |
| 14 | C 37933 | PULLEY - idler, large | 1 |
| 15 | C 37934 | PULLEY - idler, small | 1 |
| 16 | C 37935 | BELT - deck | 1 |
| 17 | C 37894 | BELT - drive | 1 |
| 18 | C 37898 | GEAR BOX - angle drive (see page 21 for repairs) | 1 |
| 19 | C 37888 | SPACER - washer | 12 |
| 20 | C 37901 | BOLT - 1/4" - 20 x 4" | 1 |
| 21 | 114- 102 | BOLT - 5/16" - 24 x 3/4" | 3 |
| 22 | C 37900 | WASHER - 5/16" - 10 ga. | 3 |
| 23 | C 37886 | WASHER - blade | 3 |
| 24 | 114- 201 | BOLT - 3/8" - 24 x 1-1/4" | 3 |
| 25 | C 29581 | KEY - 3/16" x 1" | 6 |
| 26 | C 37937 | SPACER - idler pulley | 1 |
| 27 | 113- 312 | BOLT - 7/16" - 14 x 1-1/4" | 12 |
| 28 | 192- 22 | LOCKWASHER - 7/16" | 12 |
| 29 | 129- 104 | NUT - 7/16" - 14 | 12 |
| 30 | 113- 257 | BOLT - 3/8" - 16 x 2-1/2" | 1 |
| 31 | 129- 103 | NUT - 3/8" | 1 |
| 32 | 192- 21 | LOCKWASHER - 3/8" | 1 |
| 33 | 113- 208 | BOLT - 3/8" - 16 x 1-1/4" | 1 |
| 34 | 131- 71 | NUT - 1/4" - 20 lock | 1 |
| 35 | 111- 371 | BOLT - 3/8" - 16 x 1" carriage | 1 |
| 36 | 113- 103 | BOLT - 5/16" - 18 x 1" | 4 |
| 37 | 192- 20 | LOCKWASHER - 5/16" | 5 |
| 38 | 113- 102 | BOLT - 5/16" - 18 x 3/4" | 1 |
| 39 | 129- 102 | NUT - 5/16" - 18 | 1 |
| 40 | 113- 1 | BOLT - 1/4" - 20 x 1/2" | 2 |
| 41 | 192- 19 | LOCKWASHER - 1/4" | 2 |



MOWER DECK AND ATTACHING PARTS

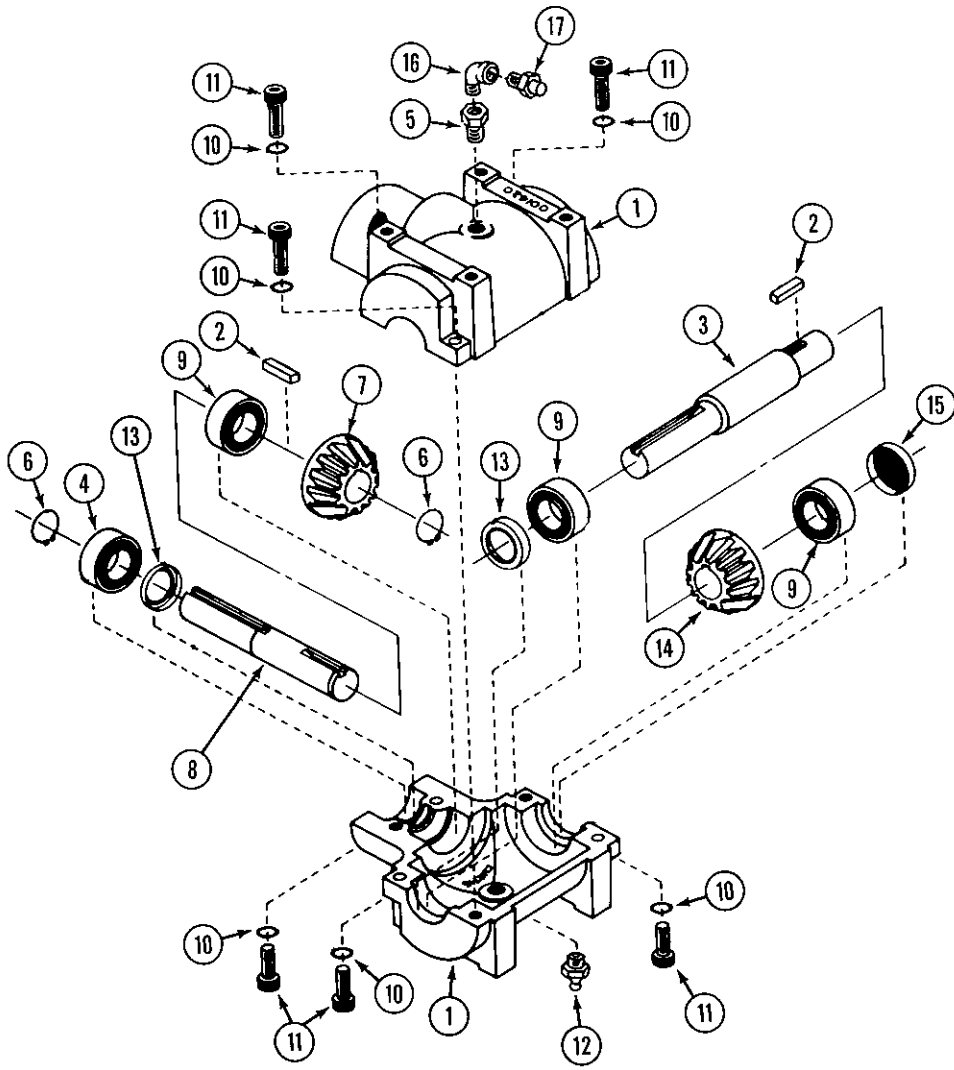
| REF. | PART NO. | DESCRIPTION | REQ'D |
|------|----------|--|-------|
| 1 | C 41368 | DECK - 62" | 1 |
| 2 | C 41396 | CHUTE - foot guard | 1 |
| 3 | C 41400 | MOUNT - foot guard | 1 |
| 4 | C 41392 | COVER - pulley | 1 |
| 5 | C 41378 | COVER - center | 1 |
| 6 | C 41373 | COVER - L.H. | 1 |
| 7 | C 37965 | SHOE - skid L.H. | 1 |
| 8 | C 37910 | ROLLER - anti-skid | 1 |
| 9 | C 37911 | SHAFT - roller | 1 |
| 10 | C 37912 | BRACKET - gauge wheel mount | 2 |
| 11 | C 37913 | MOUNT - gauge wheel | 2 |
| 12 | C 37914 | FORK - gauge wheel | 2 |
| 13 | C 37915 | AXLE - gauge wheel | 2 |
| 14 | C 37916 | WHEEL - gauge | 2 |
| | C 37917 | TIRE - 11 x 4.00 - 5 | 1 |
| | C 37918 | RIM - 5" | 1 |
| | C 37872 | BEARING - wheel | 2 |
| 15 | C 38056 | BOLT - 1/2" - 13 x 6-1/2" | 2 |
| 16 | C 37920 | BOLT - wing | 4 |
| 17 | C 37921 | NUT - gauge wheel handle | 4 |
| 18 | C 37505 | BREAKER - circuit - 10 amp | 1 |
| 19 | C 37860 | COLLAR - set 1" | 2 |
| 20 | C 37824 | BEARING - 1" | 4 |
| 21 | C 37922 | PIN - "fas-tatch" | 1 |
| 22 | C 38095 | PIN - deck | 2 |
| 23 | C 37924 | PIN - cotter, hair | 2 |
| 24 | C 37957 | SHOE - skid R.H. | 1 |
| 25 | C 37927 | SCREW - thumb 1/4" - 20 x 1/2" | 4 |
| 26 | C 37943 | SCREW - wing 1/4" - 20 x 1" | 1 |
| 27 | C 37958 | WEIGHT - tail, 13 lb. | 3 |



MODEL FM6218 MOWER DECK

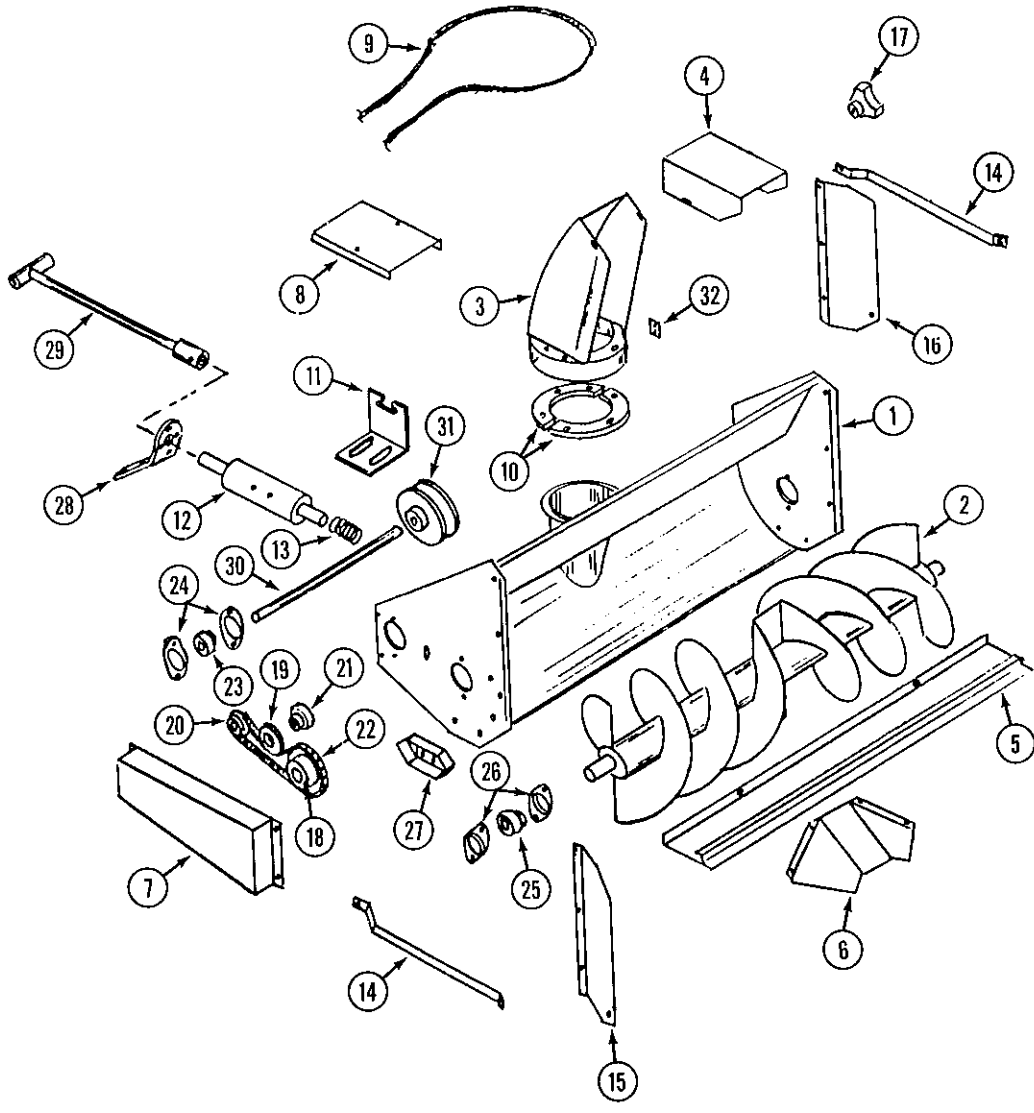
MOWER DRIVE

| REF. | PART NO. | DESCRIPTION | REQ'D |
|------|----------|--|-------|
| 1 | C 41757 | MOUNT - gear box | |
| 2 | C 37875 | GUARD - belt | 1 |
| 3 | C 37877 | ANGLE - gear box mount | 1 |
| 4 | C 37929 | TIGHTENER - belt | 1 |
| 5 | C 37945 | HOUSING - spindle | 1 |
| 6 | C 37946 | SPACER - spindle | 3 |
| 7 | C 37947 | SHAFT - spindle, short | 3 |
| 8 | C 37948 | SHAFT - spindle, long | 2 |
| 9 | C 37882 | BEARING - spindle | 1 |
| 10 | C 37949 | BLADE | 6 |
| 11 | C 37950 | PULLEY - spindle | 3 |
| 12 | C 37932 | PULLEY - gear box output | 4 |
| 13 | C 37892 | PULLEY - gear box input | 1 |
| 14 | C 37933 | PULLEY - idler, large | 1 |
| 15 | C 37934 | PULLEY - idler, small | 1 |
| 16 | C 38929 | BELT - deck | 1 |
| 17 | C 37894 | BELT - drive | 1 |
| 18 | C 37898 | GEAR BOX - angle drive (see page 21 for service) | 1 |
| 19 | C 37888 | WASHER - spacer | 1 |
| 20 | C 37901 | BOLT - 1/4" - 20 x 4" | 12 |
| 21 | C 37899 | BOLT - 5/16" - 24 x 3/4" | 1 |
| 22 | C 37900 | WASHER - 5/16", 10 ga | 3 |
| 23 | C 37886 | WASHER - blade | 3 |
| 24 | C 37557 | BOLT - 3/8" - 24 x 1-1/4" | 3 |
| 25 | C 37771 | KEY - 3/16" x 3/16" x 1" | 3 |
| 26 | C 37937 | SPACER - idler pulley | 6 |
| | | | 1 |



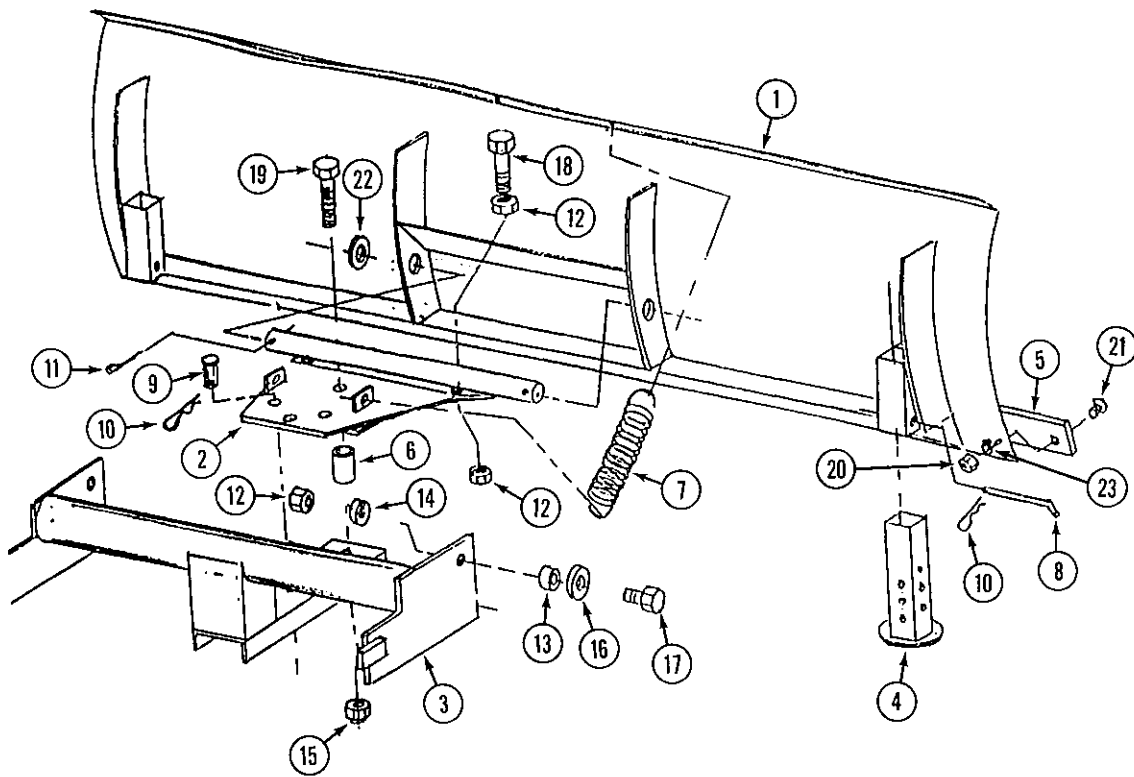
GEAR BOX

| REF. | PART NO. | DESCRIPTION | REQ'D |
|------|----------|-------------------------------|-------|
| | C 37898 | GEAR BOX | |
| 1 | C 37959 | HOUSING - half | 1 |
| 2 | C 37771 | KEY - 3/16" x 3/16" x 1" | 2 |
| 3 | C 37960 | SHAFT - input | 2 |
| 4 | C 37961 | BEARING - ball | 1 |
| 5 | C 37962 | BUSHING - pipe 1/4" x 1/8" | 1 |
| 6 | C 37963 | RING - retaining | 1 |
| 7 | C 37964 | GEAR - output shaft | 2 |
| 8 | C 37965 | SHAFT - output | 1 |
| 9 | C 37966 | BEARING - ball | 1 |
| 10 | C 37967 | LOCKWASHER | 3 |
| 11 | C 37968 | CAP SCREW - allen head | 6 |
| 12 | C 37974 | FITTING - grease 1/4" NPT | 6 |
| 13 | C 37969 | SEAL - shaft | 1 |
| 14 | C 37970 | GEAR - input shaft | 2 |
| 15 | C 37971 | PLUG - expansion | 1 |
| 16 | C 37541 | ELBOW - street 1/8" x 90° | 1 |
| 17 | C 37973 | VALVE - relief | 1 |
| | C 41853 | GREASE - synthetic, cartridge | 1 |



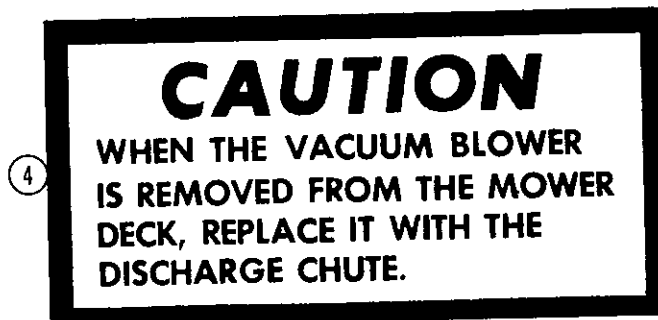
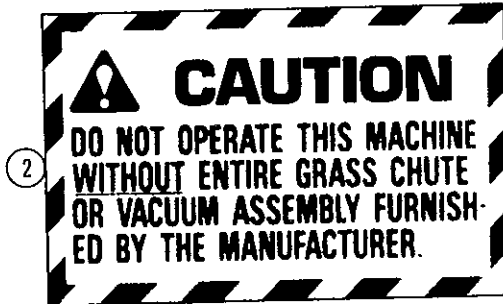
MODEL FCSB51 SNOWBLOWER

| REF. | PART NO. | DESCRIPTION | REQ'D |
|------|----------|--------------------------|-------|
| 1 | C 39295 | HOUSING - auger 51" | 1 |
| 2 | C 39296 | AUGER | 1 |
| 3 | C 39306 | CHUTE | 1 |
| 4 | C 39298 | DEFLECTOR | 1 |
| 5 | C 38939 | EDGE - cutting | 1 |
| 6 | C 38579 | RETAINER | 1 |
| 7 | C 39299 | GUARD - chain | 1 |
| 8 | C 39300 | GUARD - belt | 1 |
| 9 | C 39342 | CABLE - chute 1/8" x 84" | 1 |
| 10 | C 39307 | CLAMP - chute | 1 |
| 11 | C 39048 | RETAINER - cable | 2 |
| 12 | C 39309 | PULLEY - cable | 1 |
| 13 | C 39340 | SPRING | 1 |
| 14 | C 39045 | BRACE - extender | 1 |
| 15 | C 39303 | EXTENDER - R.H. | 2 |
| 16 | C 39038 | EXTENDER - L.H. | 1 |
| 17 | C 39341 | NUT - wing | 1 |
| 18 | C 38862 | SPROCKET - auger | 2 |
| 19 | C 38973 | SPROCKET - idler | 1 |
| 20 | C 38619 | SPROCKET - drive | 1 |
| 21 | C 38638 | BUSHING - sprocket | 1 |
| 22 | C 38644 | CHAIN - drive #40 | 1 |
| 23 | C 38961 | BEARING - 3/4" | 1 |
| 24 | C 39024 | FLANGE - bearing 3/4" | 2 |
| 25 | C 38816 | BEARING - 1" | 4 |
| 26 | C 38970 | FLANGE - bearing 1" | 2 |
| 27 | C 38891 | SHOE - skid | 4 |
| 28 | C 39308 | SUPPORT - cable pulley | 2 |
| 29 | C 39310 | HANDLE | 1 |
| 30 | C 39305 | SHAFT - drive | 1 |
| 31 | C 37932 | PULLEY - drive | 1 |
| 32 | C 39311 | CLAMP - cable | 1 |



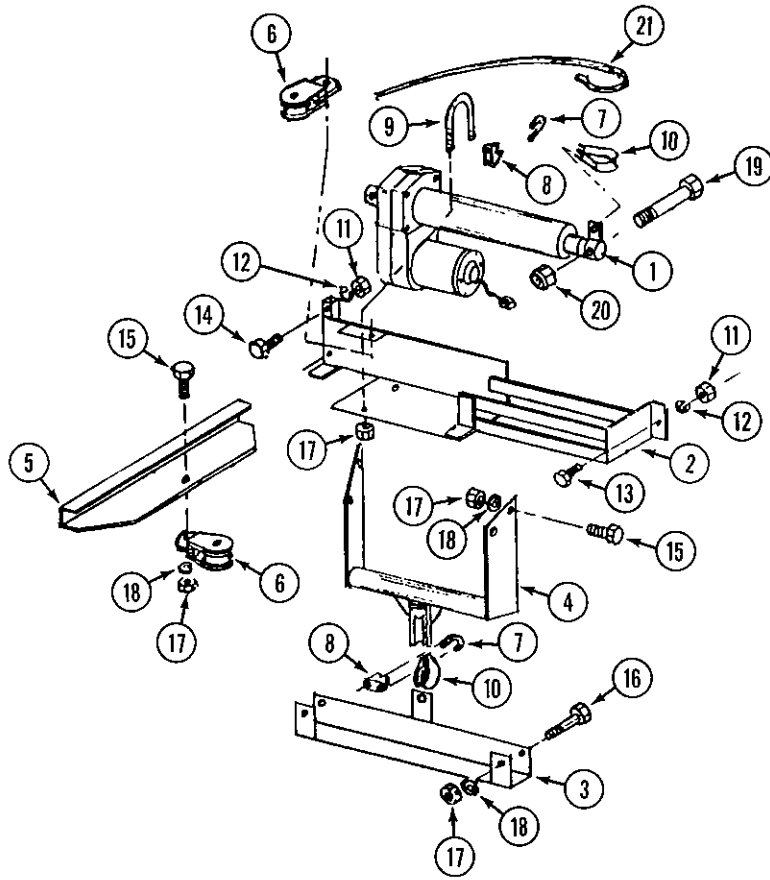
MODEL FCUB54 UTILITY BLADE

| REF. | PART NO. | DESCRIPTION | REQ'D |
|------|----------|---------------------------------|-------|
| 1 | C 39312 | BLADE - 54" | 1 |
| 2 | C 39313 | MOUNT - pivot | 1 |
| 3 | C 38922 | MOUNT - blade | 1 |
| 4 | C 38892 | PLATE - skid | 1 |
| 5 | C 38943 | EDGE - cutting | 2 |
| 6 | C 38420 | BUSHING - pivot | 1 |
| 7 | C 37815 | SPRING - trip | 1 |
| 8 | C 38825 | PIN - skid plate | 2 |
| 9 | C 38689 | PIN - clevis 1/2" | 2 |
| 10 | C 38096 | PIN - hair | 1 |
| 11 | 132- 91 | PIN - cotter 3/16" x 1" | 3 |
| 12 | C 37593 | NUT - 1/2" - 13 | 2 |
| 13 | C 37576 | BUSHING | 6 |
| 14 | C 37590 | LOCK WASHER - 1/2" | 2 |
| 15 | C 39396 | NUT - 1/2" lock | 2 |
| 16 | C 37589 | WASHER - 1/2" | 1 |
| 17 | C 38097 | BOLT - 1/2" - 13 x 1-1/2" | 2 |
| 18 | C 37588 | BOLT - 1/2" - 13 x 2-1/4" | 2 |
| 19 | C 38682 | BOLT - 1/2" - 13 x 3" | 2 |
| 20 | C 37560 | NUT - 5/16" - 18 | 1 |
| 21 | C 38090 | BOLT - carriage 5/16" - 18 x 1" | 7 |
| 22 | C 37999 | WASHER - 3/4" | 7 |
| 23 | C 37748 | LOCK WASHER - 5/16" | 2 |
| | | | 7 |



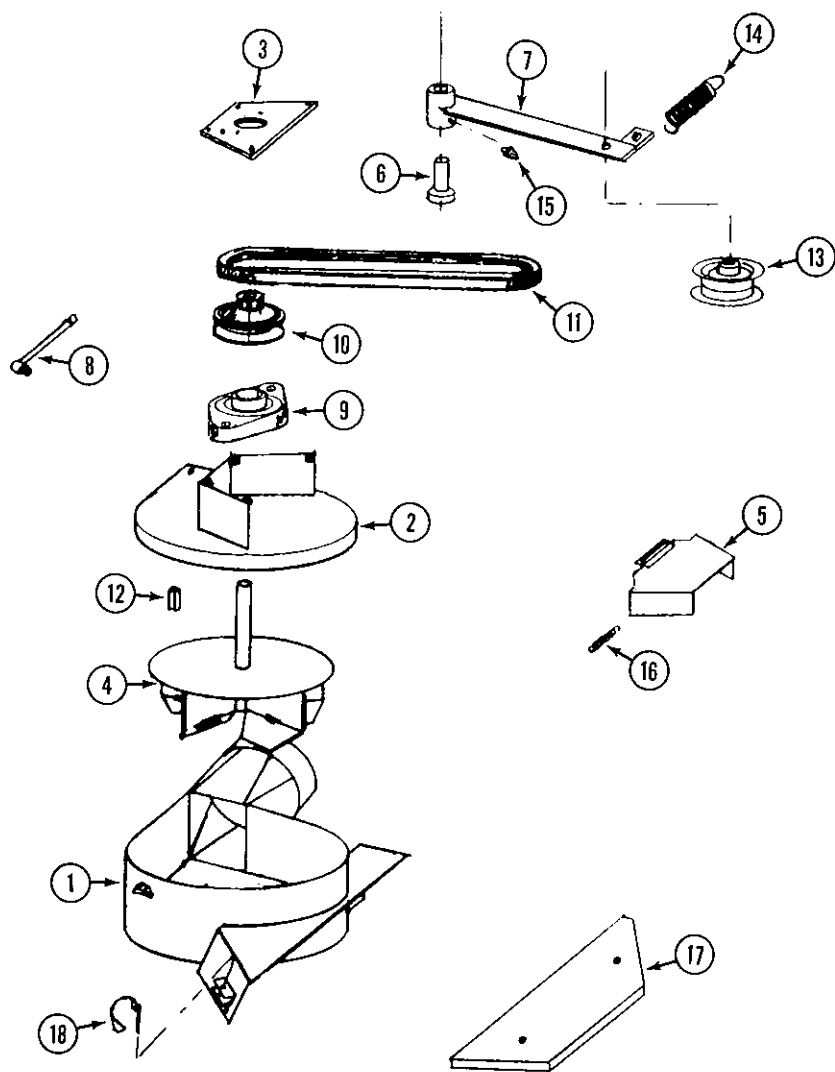
DECALS

| REF. | PART NO. | DESCRIPTION | REQ'D |
|------|----------|---|-------|
| 1 | C 37491 | DECAL - caution (whirling blades) (mowers) | 1 |
| 2 | C 37493 | DECAL - caution (grass chute) (mowers) | 1 |
| 3 | C 37494 | DECAL - danger (guard) (mowers and vacuum blower) | 1 |
| 4 | C 37492 | DECAL - caution (vacuum blower) | 1 |



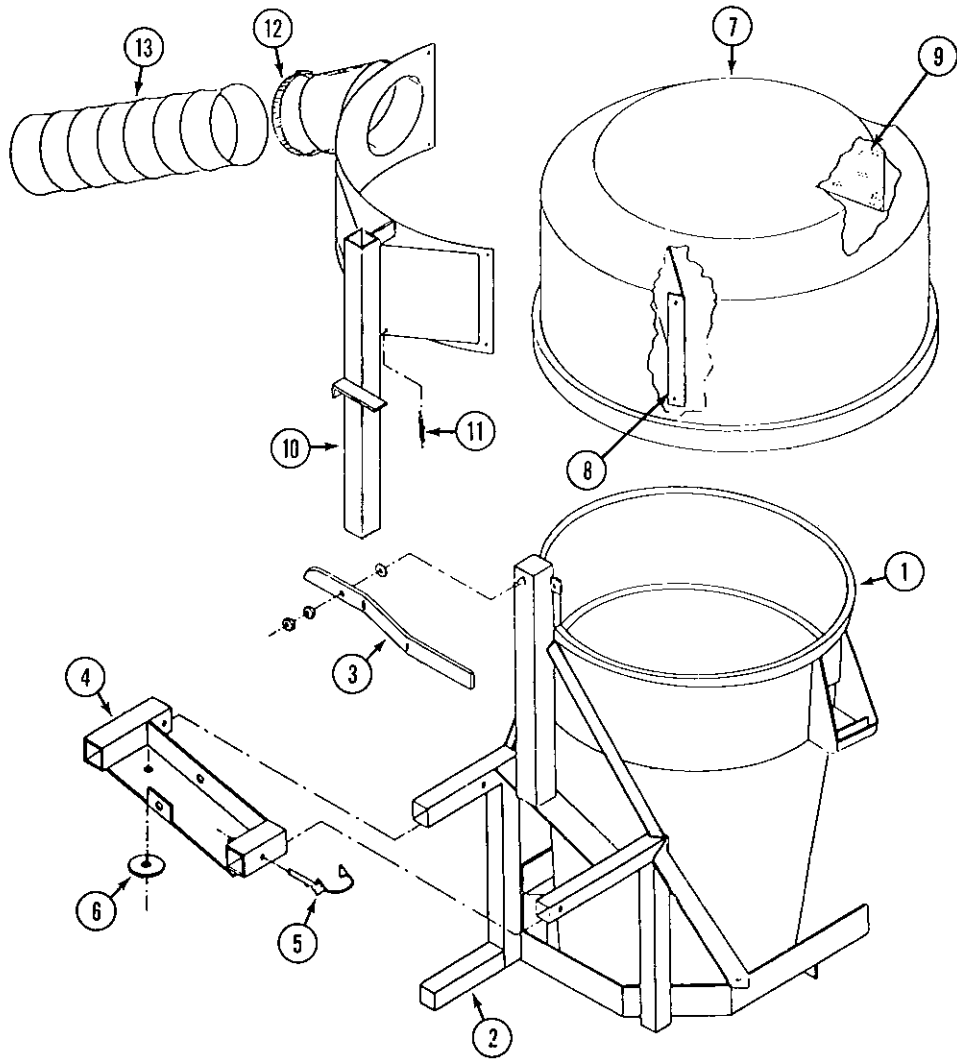
EDL ELECTRIC DECK LIFT KIT
(Optional)

| REF. | PART NO. | DESCRIPTION | REQ'D |
|------|----------|---------------------------------------|-------|
| 1 | C 37529 | ACTUATOR - lift | 1 |
| 2 | C 39023 | MOUNT - actuator | 1 |
| 3 | C 39034 | ADAPTER - deck lift | 1 |
| 4 | C 39032 | NOSE - cable mount | 1 |
| 5 | C 39314 | BRACKET - side, cable mount | 1 |
| 6 | C 38824 | PULLEY - cable | 2 |
| 7 | C 37616 | BOLT - "U" | 2 |
| 8 | C 39338 | CLAMP - cable | 2 |
| 9 | C 38096 | BOLT - "U" | 1 |
| 10 | C 39339 | THIMBLE - cable | 2 |
| 11 | C 37758 | NUT - 1/4" - 20 | 3 |
| 12 | C 37757 | LOCK WASHER - 1/4" | 3 |
| 13 | C 38084 | BOLT - 1/4" - 20 x 3/4" | 1 |
| 14 | C 37759 | BOLT - 1/4" - 20 x 1" | 2 |
| 15 | C 38085 | BOLT - 5/16" - 18 x 1" | 4 |
| 16 | C 37750 | BOLT - 5/16" - 18 x 2" | 2 |
| 17 | 129- 102 | NUT - 5/16" - 18 | 6 |
| 18 | C 37748 | LOCK WASHER - 5/16" | 6 |
| 19 | C 38615 | BOLT - 1/2" | 1 |
| 20 | C 39396 | NUT - lock 1/2" - 13 | 1 |
| 21 | C 38598 | CABLE - lift 64" | 1 |



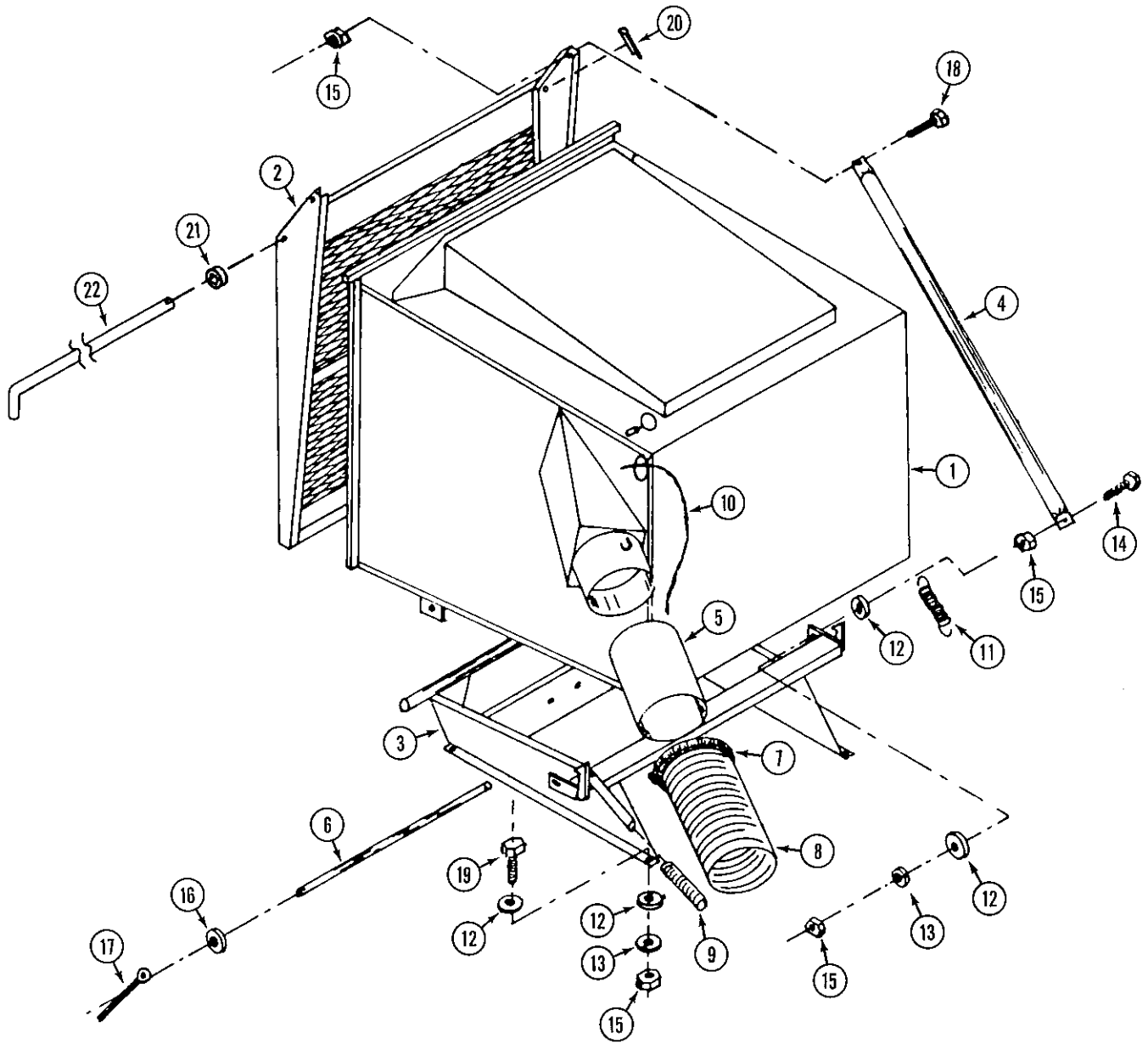
VAC BLOWER

| REF. | PART NO. | DESCRIPTION | REQ'D |
|------|----------|---|-------|
| 1 | C 38395 | HOUSING - (for VB4252) | 1 |
| 1 | C 38396 | HOUSING - (for 62" deck) (for VB62) | 1 |
| 2 | C 38397 | CAP - blower | 1 |
| 3 | C 38398 | PLATE - bearing | 1 |
| 4 | C 38399 | BLADE - blower | 1 |
| 5 | C 38400 | GUARD - belt | 1 |
| 6 | C 38401 | BUSHING - idler arm | 1 |
| 7 | C 38402 | ARM - idler | 1 |
| 8 | C 38403 | TUBE - lubrication | 1 |
| 9 | C 37773 | FLANGE ASSEMBLY - bearing | 2 |
| 9 | C 38404 | BEARING - 3/4" | 1 |
| 10 | C 38405 | PULLEY - drive | 1 |
| 11 | C 37995 | BELT - blower drive (for 42" and 52" decks) (VB4252) | 1 |
| 11 | C 38407 | BELT - blower drive (for 62" deck) (for VB62) | 1 |
| 12 | C 37771 | KEY - 3/16" x 3/16" x 1" | 1 |
| 13 | C 37706 | PULLEY - idler | 1 |
| 14 | C 38408 | SPRING - clutch | 1 |
| 15 | C 37993 | FITTING - lubrication 1/4" - 28 self-tap | 1 |
| 16 | C 37837 | SPRING | 1 |
| 17 | C 38409 | WEIGHT - counter (for 42" and 52" decks) (for VB4252) | 1 |
| 18 | C 37922 | PIN - "fas-tatch" | 1 |



BARREL COLLECTOR

| REF. | PART NO. | DESCRIPTION | REQ'D |
|------|----------|------------------------------|-------|
| 1 | C 38584 | BARREL | 1 |
| 2 | C 38411 | MOUNT - barrel | 1 |
| 3 | C 38412 | HANDLE | 1 |
| 4 | C 38413 | BRACKET - barrel mount | 1 |
| 5 | C 37922 | PIN - "fas-tatch" | 2 |
| 6 | C 37581 | WASHER - body mount | 2 |
| 7 | C 38414 | LID - barrel | 1 |
| 8 | C 38415 | DEFLECTOR | 1 |
| 9 | C 38416 | SCREEN | 1 |
| 10 | C 38417 | MOUNT - lid | 1 |
| 11 | C 38404 | SPRING | 1 |
| 12 | C 38418 | CLAMP - hose | 2 |
| 13 | C 38419 | HOSE | 1 |



GRASS BOX

| REF. | PART NO. | DESCRIPTION | REQ'D |
|------|----------|-----------------------------|-------|
| 1 | C 41763 | BOX - grass | 1 |
| 2 | C 38426 | DOOR | 1 |
| 3 | C 41533 | MOUNT - box | 1 |
| 4 | C 38897 | LINKAGE - door L.H. (shown) | 1 |
| 4 | C 38898 | LINKAGE - door R.H. | 1 |
| 5 | C 38430 | TUBE | 1 |
| 6 | C 38431 | PIN - pivot | 1 |
| 7 | C 38432 | CLAMP - hose | 2 |
| 8 | C 38419 | HOSE - 55' | 1 |
| 9 | C 37631 | GRIP - handle | 2 |
| 10 | C 38433 | ROPE | 1 |
| 11 | C 38434 | SPRING | 1 |
| 12 | C 37765 | WASHER - 5/16" | 12 |
| 13 | C 37748 | LOCK WASHER - 5/16" | 8 |
| 14 | C 38435 | BOLT - 5/16" - 18 x 1-1/4" | 2 |
| 15 | 129- 102 | NUT - 5/16" - 18 | 8 |
| 16 | C 38436 | WASHER - 7/16" | 2 |
| 17 | C 37594 | PIN - cotter 3/16" - 1-1/4" | 2 |
| 18 | C 38085 | BOLT - 5/16" - 18 x 1" | 4 |
| 19 | C 38086 | BOLT - 5/16" - 18 x 3/4" | 4 |
| 20 | C 37629 | PIN - cotter 1/8" x 1" | 1 |
| 21 | C 37735 | WASHER - 1/4" | 2 |
| 22 | C 39299 | PIN - door | 1 |

NUMERICAL INDEX

| PART NO. | PAGE NO. | REF. NO. | PART NO. | PAGE NO. | REF. NO. | PART NO. | PAGE NO. | REF. NO. |
|----------|----------|----------|----------|----------|----------|----------|----------|----------|
| C29029 | 13 | 23 | C37875 | 7 | 41 | C37911 | 9 | 9 |
| C29581 | 15 | 25 | C37875 | 11 | 2 | C37911 | 13 | 9 |
| C29692 | 13 | 22 | C37875 | 15 | 2 | C37911 | 17 | 9 |
| C37491 | 27 | 1 | C37875 | 19 | 2 | C37912 | 5 | 22 |
| C37493 | 27 | 2 | C37877 | 7 | 40 | C37912 | 9 | 10 |
| C37494 | 27 | 3 | C37877 | 11 | 3 | C37912 | 13 | 10 |
| C37505 | 7 | 46 | C37877 | 15 | 3 | C37912 | 17 | 10 |
| C37505 | 9 | 18 | C37877 | 19 | 3 | C37913 | 5 | 18 |
| C37505 | 13 | 18 | C37878 | 11 | 4 | C37913 | 9 | 11 |
| C37505 | 17 | 18 | C37879 | 11 | 5 | C37913 | 13 | 11 |
| C37529 | 29 | 1 | C37880 | 5 | 5 | C37913 | 17 | 11 |
| C37541 | 21 | 16 | C37880 | 11 | 6 | C37914 | 5 | 16 |
| C37557 | 5 | 10 | C37880 | 15 | 5 | C37914 | 9 | 12 |
| C37557 | 11 | 13 | C37881 | 5 | 6 | C37914 | 13 | 12 |
| C37557 | 19 | 24 | C37881 | 11 | 7 | C37914 | 17 | 12 |
| C37560 | 7 | 60 | C37881 | 15 | 6 | C37915 | 5 | 14 |
| C37560 | 25 | 20 | C37882 | 5 | 4 | C37915 | 9 | 13 |
| C37576 | 25 | 13 | C37882 | 11 | 8 | C37915 | 13 | 13 |
| C37581 | 33 | 6 | C37882 | 15 | 9 | C37915 | 17 | 13 |
| C37588 | 25 | 18 | C37882 | 19 | 9 | C37916 | 5 | 13 |
| C37589 | 25 | 16 | C37883 | 5 | 12 | C37916 | 9 | 14 |
| C37590 | 7 | 49 | C37883 | 11 | 9 | C37916 | 13 | 14 |
| C37590 | 25 | 14 | C37883 | 15 | 7 | C37916 | 17 | 14 |
| C37591 | 7 | 63 | C37884 | 11 | 10 | C37917 | 5 | |
| C37592 | 7 | 64 | C37884 | 15 | 8 | C37917 | 9 | |
| C37593 | 7 | 50 | C37885 | 11 | 11 | C37917 | 13 | |
| C37593 | 25 | 12 | C37886 | 5 | 9 | C37917 | 17 | |
| C37594 | 35 | 17 | C37886 | 11 | 12 | C37918 | 5 | |
| C37597 | 7 | 43 | C37886 | 15 | 23 | C37918 | 9 | |
| C37598 | 7 | 44 | C37886 | 19 | 23 | C37918 | 13 | |
| C37598 | 13 | 41 | C37887 | 11 | 14 | C37918 | 17 | |
| C37616 | 29 | 7 | C37887 | 11 | 30 | C37920 | 5 | 20 |
| C37629 | 35 | 20 | C37888 | 5 | 28 | C37920 | 9 | 16 |
| C37631 | 35 | 9 | C37888 | 11 | 15 | C37920 | 13 | 16 |
| C37706 | 31 | 13 | C37888 | 15 | 19 | C37920 | 17 | 16 |
| C37734 | 7 | 68 | C37888 | 19 | 19 | C37921 | 5 | 21 |
| C37735 | 35 | 21 | C37889 | 11 | 16 | C37921 | 9 | 17 |
| C37748 | 7 | 59 | C37890 | 11 | 17 | C37921 | 13 | 17 |
| C37748 | 25 | 23 | C37891 | 11 | 19 | C37921 | 17 | 17 |
| C37748 | 29 | 18 | C37892 | 7 | 37 | C37922 | 9 | 21 |
| C37748 | 35 | 13 | C37892 | 11 | 20 | C37922 | 13 | 21 |
| C37750 | 29 | 16 | C37892 | 15 | 13 | C37922 | 17 | 21 |
| C37756 | 13 | 33 | C37892 | 19 | 13 | C37922 | 31 | 18 |
| C37757 | 7 | 53 | C37894 | 7 | 38 | C37922 | 33 | 5 |
| C37757 | 29 | 12 | C37894 | 11 | 21 | C37924 | 9 | 23 |
| C37758 | 29 | 11 | C37894 | 15 | 17 | C37924 | 17 | 23 |
| C37759 | 29 | 14 | C37894 | 19 | 17 | C37925 | 9 | 24 |
| C37765 | 35 | 12 | C37896 | 11 | 22 | C37926 | 9 | 25 |
| C37771 | 5 | 29 | C37897 | 11 | 23 | C37927 | 7 | 36 |
| C37771 | 11 | 27 | C37898 | 7 | 39 | C37927 | 9 | 26 |
| C37771 | 19 | 25 | C37898 | 11 | 24 | C37927 | 13 | 24 |
| C37771 | 21 | 2 | C37898 | 15 | 18 | C37927 | 17 | 25 |
| C37771 | 31 | 12 | C37898 | 19 | 18 | C37929 | 15 | 4 |
| C37773 | 31 | 9 | C37898 | 21 | | C37929 | 19 | 4 |
| C37815 | 25 | 7 | C37899 | 7 | 67 | C37930 | 5 | 11 |
| C37824 | 5 | 17 | C37899 | 11 | 25 | C37930 | 15 | 10 |
| C37824 | 9 | 20 | C37899 | 19 | 21 | C37931 | 15 | 11 |
| C37824 | 13 | 20 | C37900 | 7 | 45 | C37932 | 15 | 12 |
| C37824 | 17 | 20 | C37900 | 11 | 26 | C37932 | 19 | 12 |
| C37837 | 31 | 16 | C37900 | 15 | 22 | C37932 | 23 | 31 |
| C37860 | 5 | 19 | C37900 | 19 | 22 | C37933 | 15 | 14 |
| C37860 | 9 | 19 | C37901 | 5 | 31 | C37933 | 19 | 14 |
| C37860 | 13 | 19 | C37901 | 11 | 28 | C37934 | 15 | 15 |
| C37860 | 17 | 19 | C37901 | 15 | 20 | C37934 | 19 | 15 |
| C37872 | 5 | | C37901 | 19 | 20 | C37935 | 15 | 16 |
| C37872 | 9 | | C37910 | 9 | 8 | C37937 | 5 | 26 |
| C37872 | 13 | | C37910 | 13 | 8 | C37937 | 15 | 26 |
| C37872 | 17 | | C37910 | 17 | 8 | C37937 | 19 | 26 |

NUMERICAL INDEX

| PART NO. | PAGE NO. | REF. NO. | PART NO. | PAGE NO. | REF. NO. | PART NO. | PAGE NO. | REF. NO. |
|----------|----------|----------|----------|----------|----------|----------|----------|----------|
| C37941 | 5 | 35 | C38096 | 25 | 10 | C39045 | 23 | 14 |
| C37942 | 5 | 2 | C38096 | 29 | 9 | C39048 | 23 | 11 |
| C37942 | 13 | 7 | C38097 | 25 | 17 | C39200 | 13 | 6 |
| C37943 | 13 | 25 | C38395 | 31 | 1 | C39203 | 5 | 33 |
| C37943 | 17 | 26 | C38396 | 31 | 1 | C39203 | 13 | 5 |
| C37945 | 19 | 5 | C38397 | 31 | 2 | C39204 | 13 | 4 |
| C37946 | 19 | 6 | C38398 | 31 | 3 | C39205 | 5 | 34 |
| C37947 | 19 | 7 | C38399 | 31 | 4 | C39205 | 15 | 1 |
| C37948 | 19 | 8 | C38400 | 31 | 5 | C39208 | 9 | 2 |
| C37949 | 19 | 10 | C38401 | 31 | 6 | C39208 | 13 | 2 |
| C37950 | 19 | 11 | C38402 | 31 | 7 | C39209 | 9 | 3 |
| C37957 | 17 | 24 | C38403 | 31 | 8 | C39209 | 13 | 3 |
| C37958 | 17 | 27 | C38404 | 31 | 9 | C39210 | 13 | 1 |
| C37959 | 21 | 1 | C38404 | 33 | 11 | C39295 | 23 | 1 |
| C37960 | 21 | 3 | C38405 | 31 | 10 | C39296 | 23 | 2 |
| C37961 | 21 | 4 | C38407 | 31 | 11 | C39298 | 23 | 4 |
| C37962 | 21 | 5 | C38408 | 31 | 14 | C39299 | 23 | 7 |
| C37963 | 21 | 6 | C38409 | 31 | 17 | C39299 | 35 | 22 |
| C37964 | 21 | 7 | C38411 | 33 | 2 | C39300 | 23 | 8 |
| C37965 | 17 | 7 | C38412 | 33 | 3 | C39303 | 23 | 15 |
| C37965 | 21 | 8 | C38413 | 33 | 4 | C39305 | 23 | 30 |
| C37966 | 21 | 9 | C38414 | 33 | 7 | C39306 | 23 | 3 |
| C37967 | 21 | 10 | C38415 | 33 | 8 | C39307 | 23 | 10 |
| C37968 | 21 | 11 | C38416 | 33 | 9 | C39308 | 23 | 28 |
| C37969 | 21 | 13 | C38417 | 33 | 10 | C39309 | 23 | 12 |
| C37970 | 21 | 14 | C38418 | 33 | 12 | C39310 | 23 | 29 |
| C37971 | 21 | 15 | C38419 | 33 | 13 | C39311 | 23 | 32 |
| C37973 | 21 | 17 | C38419 | 35 | 8 | C39312 | 25 | 1 |
| C37974 | 21 | 12 | C38420 | 25 | 6 | C39313 | 25 | 2 |
| C37993 | 13 | 32 | C38426 | 35 | 2 | C39314 | 29 | 5 |
| C37993 | 31 | 15 | C38430 | 35 | 5 | C39338 | 29 | 8 |
| C37995 | 31 | 11 | C38431 | 35 | 6 | C39339 | 29 | 10 |
| C37999 | 25 | 22 | C38432 | 35 | 7 | C39340 | 23 | 13 |
| C38036 | 11 | 11 | C38433 | 35 | 10 | C39341 | 23 | 17 |
| C38037 | 11 | 29 | C38434 | 35 | 11 | C39342 | 23 | 9 |
| C38042 | 15 | 10 | C38435 | 35 | 14 | C39396 | 25 | 15 |
| C38056 | 5 | 15 | C38436 | 35 | 16 | C39396 | 29 | 20 |
| C38056 | 9 | 15 | C38451 | 9 | 7 | C41249 | 9 | 1 |
| C38056 | 17 | 15 | C38579 | 23 | 6 | C41255 | 9 | 4 |
| C38063 | 9 | 6 | C38584 | 33 | 1 | C41259 | 9 | 5 |
| C38073 | 5 | 3 | C38589 | 7 | 47 | C41269 | 11 | 1 |
| C38074 | 5 | 7 | C38598 | 29 | 21 | C41368 | 17 | 1 |
| C38075 | 5 | 8 | C38615 | 29 | 19 | C41373 | 17 | 6 |
| C38076 | 5 | 23 | C38619 | 23 | 20 | C41378 | 17 | 5 |
| C38077 | 5 | 24 | C38638 | 23 | 21 | C41392 | 17 | 4 |
| C38078 | 5 | 25 | C38644 | 23 | 22 | C41396 | 17 | 2 |
| C38079 | 5 | 27 | C38682 | 25 | 19 | C41400 | 17 | 3 |
| C38080 | 5 | 30 | C38689 | 25 | 9 | C41533 | 35 | 3 |
| C38083 | 7 | 42 | C38816 | 23 | 25 | C41658 | 11 | 18 |
| C38084 | 7 | 51 | C38824 | 29 | 6 | C41757 | 19 | 1 |
| C38084 | 29 | 13 | C38825 | 25 | 8 | C41763 | 35 | 1 |
| C38085 | 7 | 52 | C38862 | 23 | 18 | C41853 | 21 | |
| C38085 | 29 | 15 | C38891 | 23 | 27 | C42228 | 5 | 1 |
| C38085 | 35 | 18 | C38892 | 25 | 4 | C42230 | 5 | 32 |
| C38086 | 7 | 54 | C38897 | 35 | 4 | 111- 202 | 13 | 39 |
| C38086 | 35 | 19 | C38898 | 35 | 4 | 111- 203 | 13 | 42 |
| C38087 | 7 | 55 | C38922 | 25 | 3 | 111- 371 | 15 | 35 |
| C38088 | 7 | 56 | C38929 | 19 | 16 | 113- 1 | 13 | 30 |
| C38089 | 7 | 57 | C38939 | 23 | 5 | 113- 1 | 15 | 40 |
| C38090 | 7 | 58 | C38943 | 25 | 5 | 113- 3 | 13 | 26 |
| C38090 | 25 | 21 | C38961 | 23 | 23 | 113- 102 | 13 | 38 |
| C38091 | 7 | 61 | C38970 | 23 | 26 | 113- 102 | 15 | 38 |
| C38092 | 7 | 62 | C38973 | 23 | 19 | 113- 103 | 15 | 36 |
| C38093 | 7 | 65 | C39023 | 29 | 2 | 113- 208 | 15 | 33 |
| C38094 | 7 | 66 | C39024 | 23 | 24 | 113- 257 | 15 | 30 |
| C38095 | 9 | 22 | C39032 | 29 | 4 | 113- 312 | 15 | 27 |
| C38095 | 17 | 22 | C39034 | 29 | 3 | 113-2419 | 13 | 15 |
| C38096 | 7 | 48 | C39038 | 23 | 16 | 114- 102 | 15 | 21 |

NUMERICAL INDEX

| PART NO. | PAGE NO. | REF. NO. |
|-------------|-------------|-------------|
| 114- 201 | 15 | 24 |
| 129- 101 | 13 | 28 |
| 129- 102 | 13 | 35 |
| 129- 102 | 15 | 39 |
| 129- 102 | 29 | 17 |
| 129- 102 | 35 | 15 |
| 129- 103 | 15 | 31 |
| 129- 104 | 15 | 29 |
| 129- 105 | 13 | 37 |
| 131- 71 | 13 | 29 |
| 131- 71 | 15 | 34 |
| 132- 91 | 25 | 11 |
| 182- 528 | 13 | 40 |
| 192- 19 | 13 | 27 |
| 192- 19 | 15 | 41 |
| 192- 20 | 13 | 34 |
| 192- 20 | 15 | 37 |
| 192- 21 | 15 | 32 |
| 192- 22 | 15 | 28 |
| 192- 23 | 13 | 36 |
| 195- 102 | 13 | 31 |