



**GRAZER** GROUND MOWERS

**Models**

**GI250,GI600**

**(S/N 02-09-0248 AND AFTER)**

**GI800CD - ALL**

**(CHAIN DRIVE MOWERS)**

**Parts List**

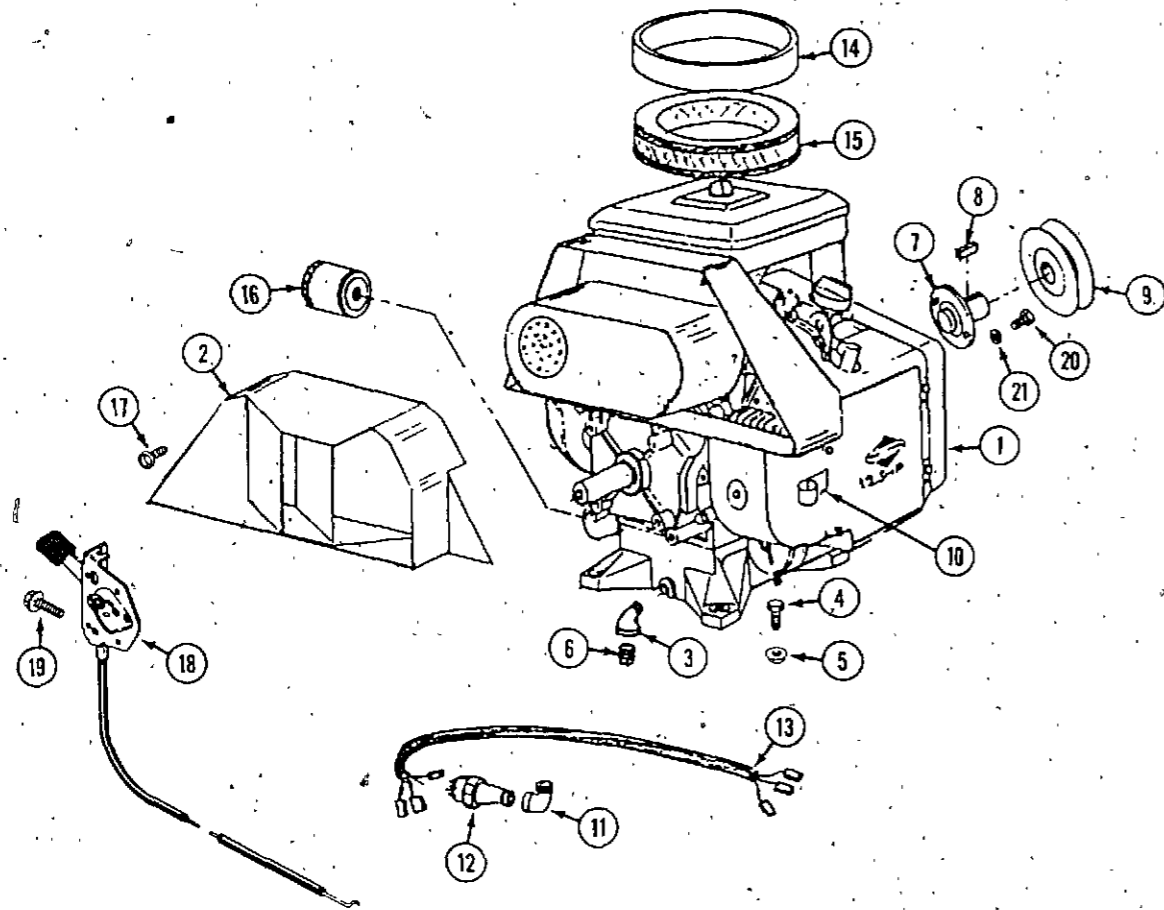
**TABLE OF CONTENTS**

ENGINE .....	C4
ELECTRIC CLUTCH .....	C6
FUEL SYSTEM .....	C6
BASE ASSEMBLY .....	C8
BODY .....	C10
LIFT LEVER (GI800CD) .....	C10
SEAT LID AND STEERING .....	C12
TAIL WHEEL .....	C14-D4
PARKING BRAKE .....	D6
TRANSMISSION (GI250,GI600) .....	D8
TRANSMISSION (GI800CD) .....	D10
CROSS SHAFT .....	D12
ELECTRICAL SYSTEM .....	D14-E2
DECALS .....	E4

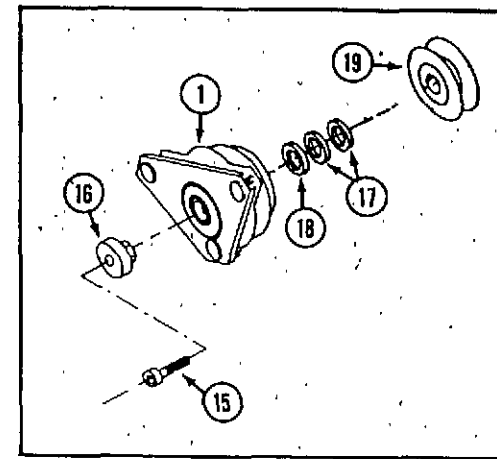
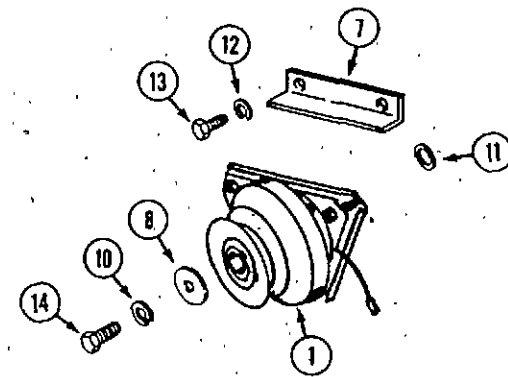


Grazer Division, Ingersoll Equipment Company  
Winneconne, WI 54986

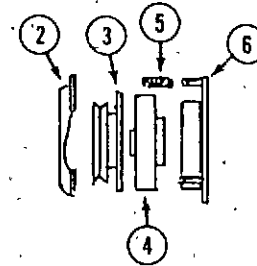
**ENGINE AND ATTACHING PARTS  
BRIGGS AND STRATTON**



REF.	PART NO.	DESCRIPTION	REQ'D
1	C 41674	ENGINE - B&S, IC model 422447 Spec. No. 1277 (18-hp)	1
1	C 40728	ENGINE - Briggs & Stratton, IC model 402447 Spec. No. 1225 (16 hp)	1
1	C 41675	ENGINE - Briggs and Stratton, model 404447, Spec. No. 1211 (12.5 hp)	1
2	C 37533	DUCT - air	1
3	221- 1413	ELBOW - street 3/8"	1
4	113- 104	BOLT - 5/16" - 18 x 1-1/4"	4
5	131- 911	NUT - 5/16" - 18	4
6	C 37546	PLUG - pipe 3/8"	1
7	C 37537	SHAFT - stub	1
8	C 41015	KEY - 1/4" x 1/4" x 1"	1
9	C 37539	PULLEY - drive (use 83-55 set screw)	1
10	C 37540	RETAINER - starter cable	2
11	221- 411	ELBOW - street 1/8"	1
12	C 37531	UNIT - oil sending	1
13	C 42240	HARNESS - wire	1
14	C 37543	PRECLEANER	1
15	C 37544	FILTER - air	1
16	C 34374	FILTER - oil	1
17	121- 21	BOLT - 1/4" - 20 flange lock	1
18	C 37819	CABLE - choke	1
18	C 37820	CABLE - throttle	1
19	C 39403	SCREW - #12 x 1/2"	4
20	192- 21	LOCKWASHER - 3/8"	2
21	113- 207	BOLT - 3/8" - 16 x 1"	2



USE BEFORE S/N 09-08-0945

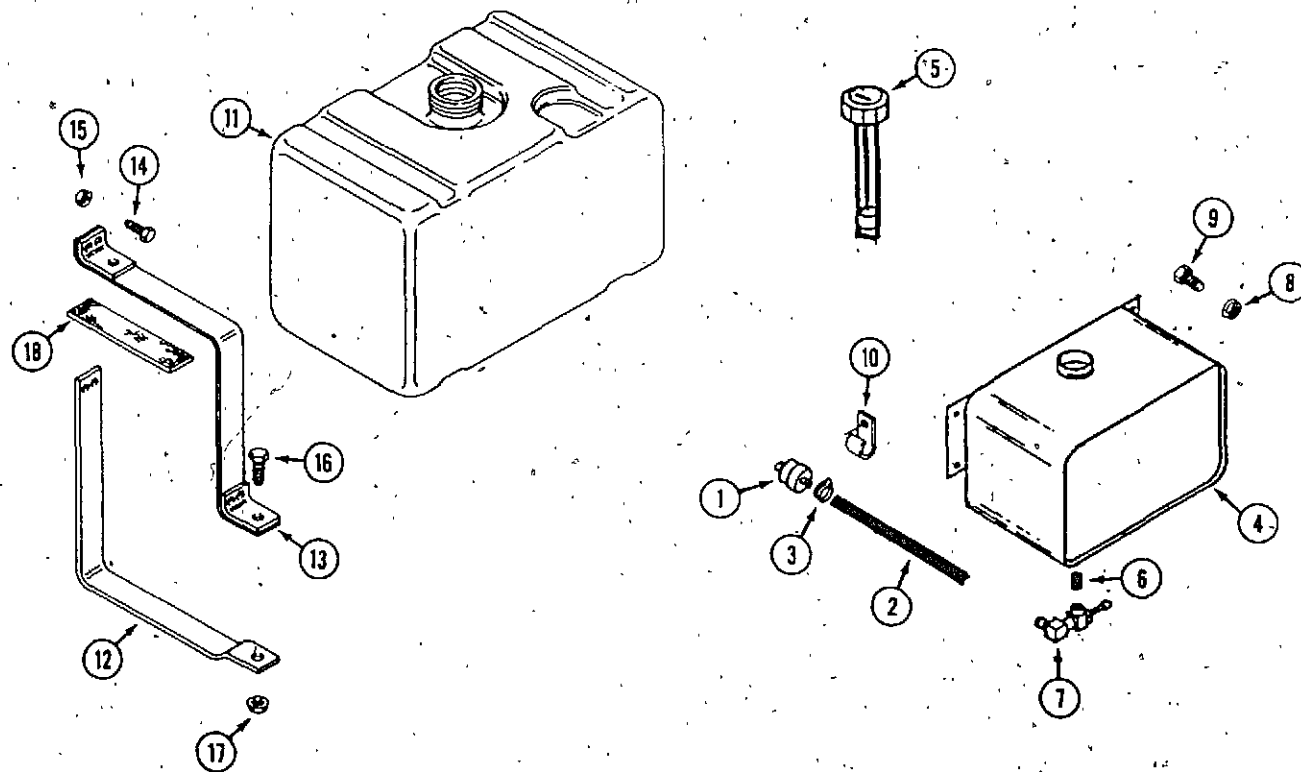


### ELECTRIC CLUTCH (PTO)

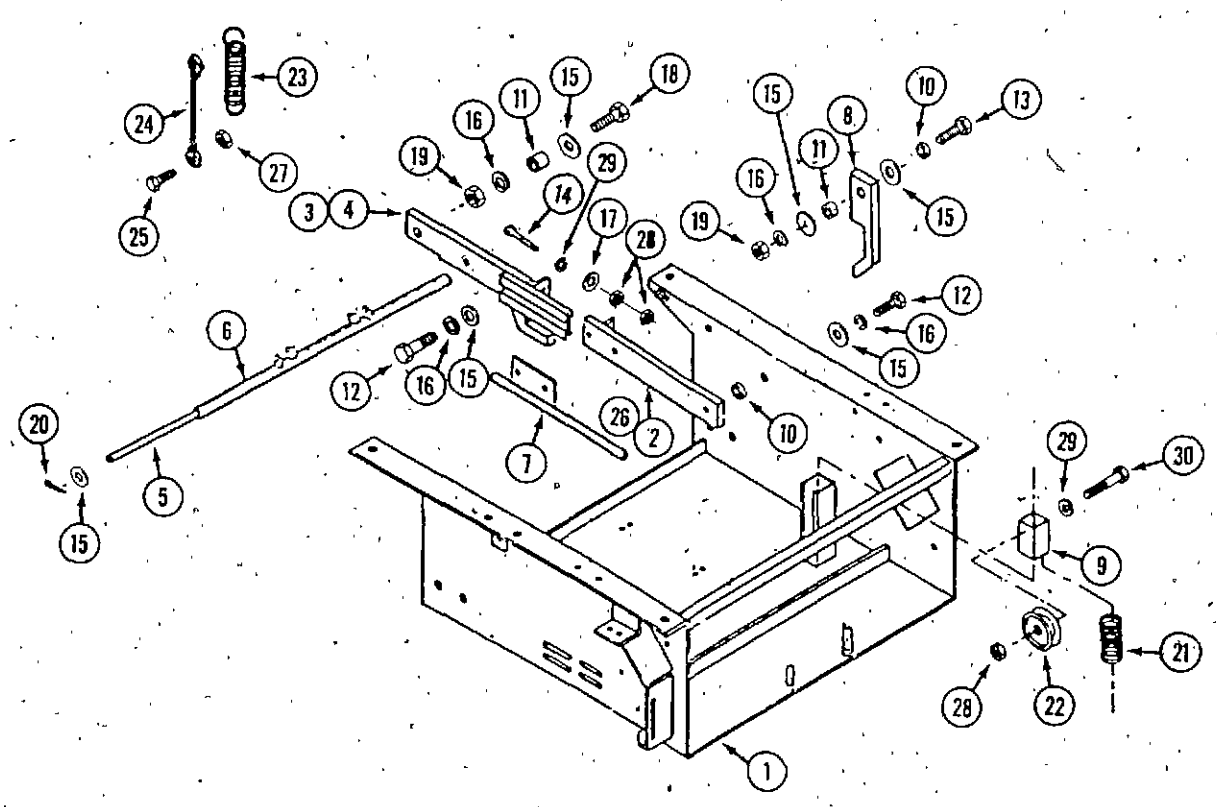
REF.	PART NO.	DESCRIPTION	REQ'D
1	C 37511	CLUTCH ASSEMBLY	1
2	C 37549	BRAKE - clutch	1
3	C 37550	ARMATURE - clutch	1
4	C 37551	ROTOR - clutch	1
5	C 37552	KIT - spring and nut (3 each)	1
6	C 37553	COIL - clutch	1
7	C 37562	BRACKET - clutch stop	1
8	C 31615	WASHER - retaining	1
10	192- 21	LOCKWASHER - 3/8"	1
11	C 31614	WASHER - 1-1/8"	1
12	192- 22	LOCKWASHER - 7/16"	2
13	113- 335	BOLT - 7/16" - 14 x 3/4"	2
14	114- 201	BOLT - 3/8" - 24 x 1-1/4"	1
15	C 37982	SCREW - socket head 3/8" - 24 x 1-3/4"	1
16	C 37978	RETAINER - clutch	1
17	C 37980	WASHER - 1", 10 ga.	2
18	C 37981	WASHER - 1", 14 ga.	1
19	C 37977	PULLEY - drive	1

### FUEL SYSTEM

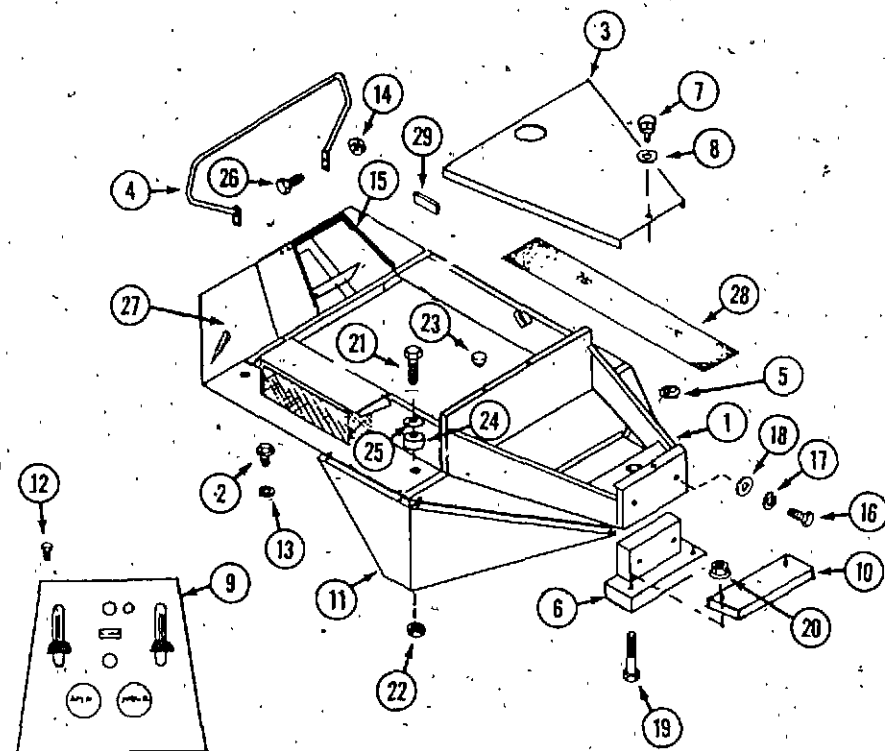
1	C 37554	FILTER - fuel	1
2	C 41713	HOSE - fuel (cut to length)	1
3	214- 103	CLAMP - hose	4
4	NSS	TANK - fuel (1-3/4" filler tube) metal (use C45119, C44822)	1
4	C 45119	TANK - fuel (2-1/4" filler tube) metal	1
5	C 44290	CAP - fuel tank (with gauge) 1-3/4"	1
5	C 44822	CAP - fuel tank (with gauge) 2-1/4" (use on metal tank)	1
5	C 45334	CAP - fuel tank (with gauge) 2-1/4" (use on plastic tank)	1
6	221-1101	NIPPLE - pipe 1/8"	1
7	C 37811	VALVE - shut off	1
8	131- 934	NUT - 1/4" - 20 flange lock	4
9	113- 1	BOLT - 1/4" - 20 x 1/2"	1
9	113- 3	BOLT - 1/4" - 20 x 3/4"	3
10	C 32455	CLIP - "J" fuel line	1
11	C 45333	TANK - fuel (2-1/4" filler tube) (plastic)	1
11	NSS	TANK - fuel (1-3/4" filler tube) plastic (use C45333, C45334)	1
12	C 45061	BRACKET - fuel tank	1
13	C 45062	STRAP - fuel tank	1
14	113- 5	BOLT - 1/4" - 20 x 1-1/2"	2
15	131- 71	NUT - 1/4" - 20 lock	2
16	113- 103	BOLT - 5/16" - 18 x 1"	2
17	131- 911	NUT - 5/16" - 18 flange lock	2
18	C 34189	CUSHION	2



### BASE ASSEMBLY

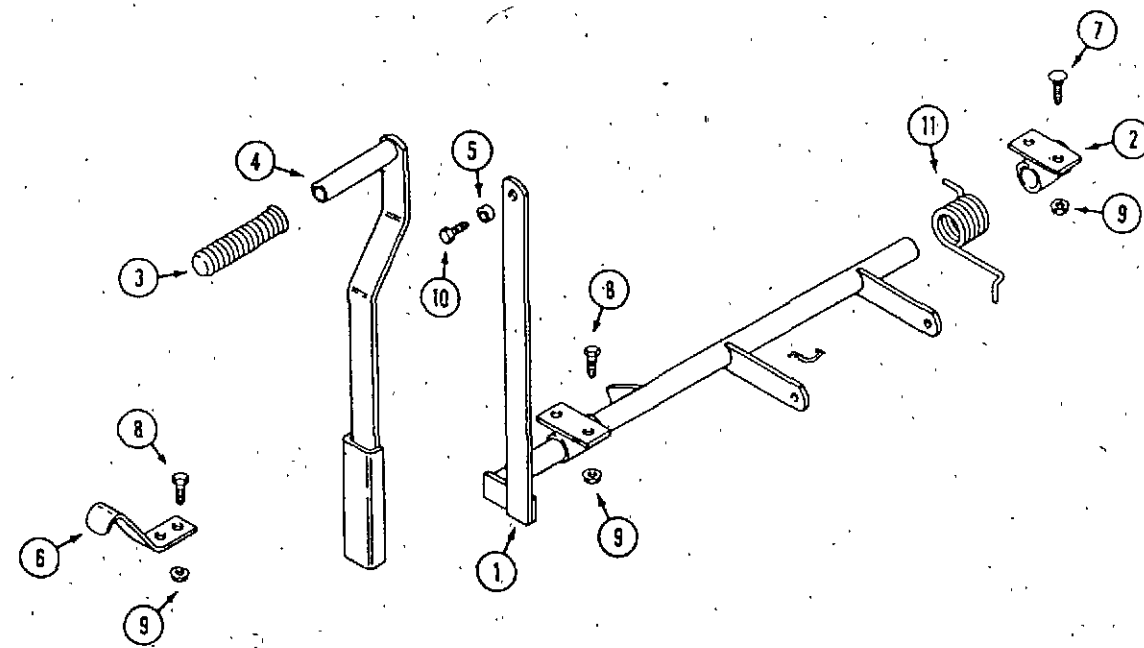


REF.	PART NO.	DESCRIPTION	REQ'D
1	C 45924	BASE	1
2	C 37575	ARM - deck lift R.H.	1
3	C 37574	ARM - front L.H.	1
4	C 37573	ARM - front R.H.	1
5	C 37578	PIN - cross bar	1
6	C 37579	BAR - cross	1
7	C 37577	TUBE - wire	1
8	C 37583	LOCK - forward nose down	2
9	C 37603	TUBE - drive idler	1
10	C 37576	BUSHING - deck lift arm (3/8" long)	3
11	C 37586	BUSHING - pivot (1/2" long)	1
12	113- 417	BOLT - 1/2" - 13 x 1-1/4"	6
13	113- 441	BOLT - 1/2" - 13 x 2-1/4"	1
14	113- 210	BOLT - 3/8" - 16 x 3"	2
15	195- 105	WASHER - 1/2"	8
16	192- 23	LOCKWASHER - 1/2"	7
17	195- 104	WASHER - 3/8"	2
18	113- 410	BOLT - 1/2" - 13 x 1-1/2"	2
19	129- 105	NUT - 1/2" - 13	1
20	132- 310	PIN - cotter 1/8" x 1"	2
21	C 37595	SPRING - idler tension	1
22	C 38864	PULLEY - idler	1
23	C 37815	SPRING - lift assist	2
24	C 37816	CABLE - lift	2
25	113- 4	BOLT - 1/4" - 20 x 1"	4
26	C 38594	ARM - deck lift L.H.	1
27	131- 71	NUT - lock 1/4" - 20	4
28	129- 103	NUT - 3/8" - 16	5
29	192- 21	LOCKWASHER - 3/8"	3
30	113- 213	BOLT - 3/8" - 16 x 2-1/4"	1
31	C 44403	GUARD - belt	1
32	113- 102	BOLT - 5/16" - 18 x 3/4"	2
33	192- 20	WASHER - lock	2



### BODY

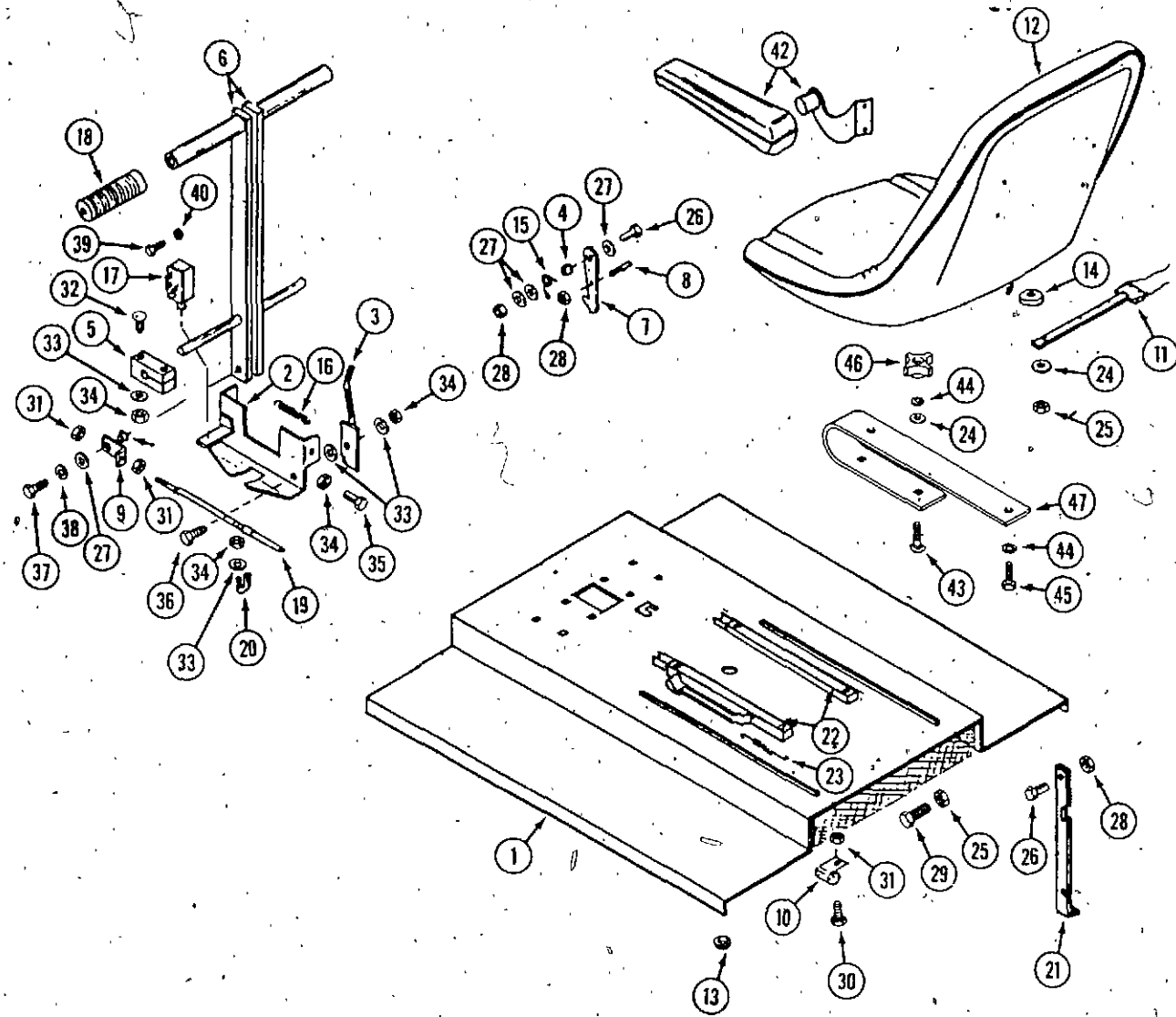
REF.	PART NO.	DESCRIPTION	REQ'D
1	C 45855	BODY - (1800CD)	1
1	C 41151	BODY (1250, 1600)	1
2	C 34808	BOLT - 1/4" - 20 x 3/4" tapping	8
3	C 41163	COVER - back	1
4	C 44844	BAR - handle (optional)	1
5	C 37824	BEARING - rear wheel fork	2
6	C 37810	WEIGHT - tail (optional for 1250)	1
7	C 41944	STUD - fastener	1
8	C 41945	GROMMET - fastener	1
9	C 37821	PANEL - dash	1
10	C 37958	WEIGHT - tail 13 lb. (optional for 1250)	2
11	C 41167	SKIRT - L.H. (1600)	1
11	C 41171	SKIRT - R.H. (1600)	1
11	C 41175	SKIRT - L.H. (1250, 1800CD)	1
11	C 41179	SKIRT - R.H. (1250, 1800CD)	1
12	C 39403	SCREW - #12 x 1/2"	4
13	192- 19	LOCK WASHER - 1/4"	8
14	131- 911	NUT - 5/16" - 18 flange lock	8
15	C 44036	TRIM - 27" (cut to length)	1
16	113- 103	BOLT - 5/16" - 18 x 1"	2
17	192- 20	LOCKWASHER - 5/16"	2
18	195- 103	WASHER - 5/16"	2
19	113- 259	BOLT - 3/8" - 16 x 4-1/2"	2
20	131- 1352	NUT - 3/8" - 16 flange lock	2
21	113- 425	BOLT - 1/2" - 13 x 3"	4
22	131- 70	NUT - 1/2" lock	4
23	C 35067	BUMPER - nylon	4
24	C 37818	MOUNT - body, rubber	8
25	C 37581	WASHER - mount, body	4
26	C 42056	BOLT - 5/16" - 18 x 5/8" black	8
27	C 43419	PAD - footrest, front L.H. (shown)	1
27	C 43420	PAD - footrest, front R.H.	1
28	C 43421	PAD - footrest, rear R.H. side	1
29	C 37631	GRIP - handle	1



### LIFT LEVER (1800CD)

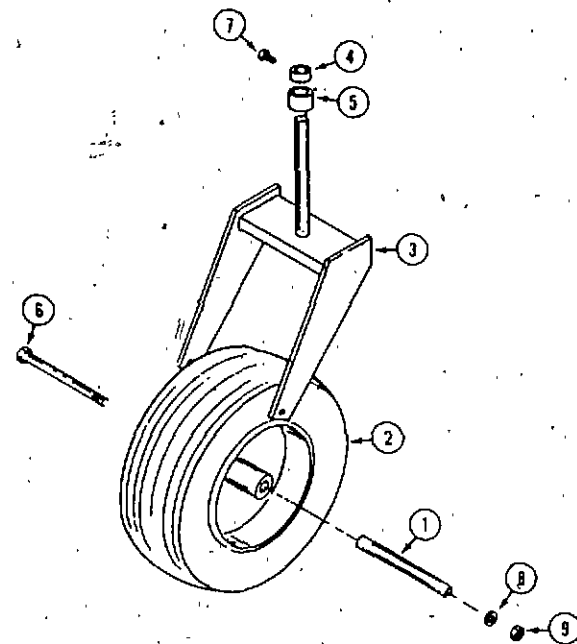
1	C 44942	LEVER - lift	1
2	C 44948	PIVOT - lift	1
3	C 37631	GRIP - handle	1
4	C 44949	EXTENSION - lift lever, upper	1
5	C 42895	BUSHING	1
6	C 44952	BRACKET - lever lock down	1
7	111- 132	BOLT - carriage 5/16" - 18 x 3/4"	2
8	113- 103	BOLT - 5/16" - 18 x 1"	4
9	131- 911	NUT - 5/16" - 18 flange lock	8
10	113- 1	BOLT - 1/4" - 20 x 1/2"	1
11	C 45120	SPRING - torsion	1

## SEAT LID AND STEERING



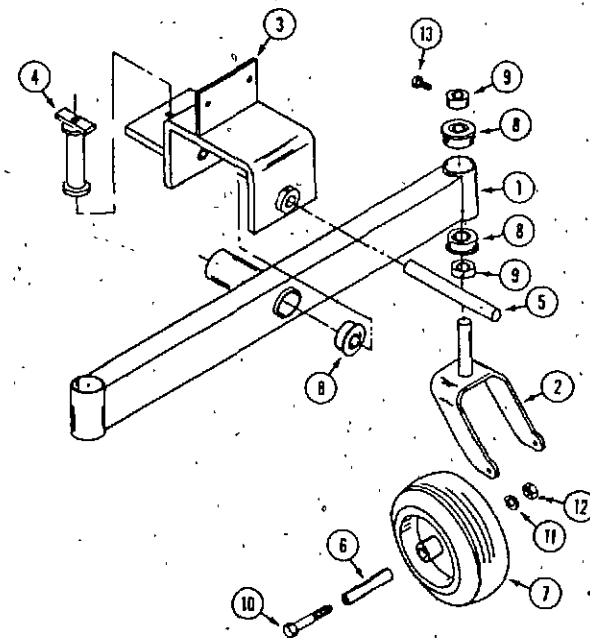
REF.	PART NO.	DESCRIPTION	REQ'D
1	C 38054*	LID - seat	1
1	C 44237**	LID - seat	2
2	C 37840	BRACKET - lever lock	1
3	C 37841	LATCH - lever lock	1
4	C 44498	BUSHING	2
5	C 37842	BEARING - block	4
6	C 37843*	LEVER - steering	2
6	C 44915**	LEVER - steering	2
7	C 44481	LATCH - seat lid	1
8	NSS	BOLT - latch, seat lid (use C44481)	1
9	C 42896	BRACKET - steering cable end	4
10	C 32455	RETAINER - harness, seat lid	1
11	C 37520	SWITCH - seat	1
12	C 37847*	SEAT	1
12	C 43202**	SEAT	1
13	C 25165	GROMMET - 1" x 1-3/4"	1
13	C 37787	GROMMET - 1/2" x 1"	1
14	C 37850	SPACER - seat	4
15	C 37851	SPRING - latch, seat lid	1
16	C 37837	SPRING - bracket, lever lock	1
17	C 37521	SWITCH - safety	1
18	C 37631	GRIP - handle	2
19	C 37705	CABLE - steering	2
20	C 37616	CLAMP - steering cable	UAR
21	C 37852	PROP - seat lid	1
22	C 37848*	KIT - seat slide rail (pair)	1
23	C 37853*	SPRING - seat	1
24	195- 103	WASHER - 5/16"	4
25	131- 69	NUT - 5/16"	4
26	113- 4	BOLT - 1/4" - 20 x 1"	2
27	195- 102	WASHER - 1/4"	3
28	131- 71	NUT - 1/4" - 20 lock	3
29	113- 103	BOLT - 5/16" - 18 x 1"	2
30	182- 528	SCREW - #10 - 32 x 1/2"	1
31	193-1000	NUT - #10 - 32	5
32	111- 114	BOLT - 1/4" - 20 x 1-1/2" carriage	8
33	195- 102	WASHER - 1/4"	10
34	131- 71	NUT - 1/4" - 20 lock	11
35	113- 3	BOLT - 1/4" - 20 x 3/4"	2
36	C 42359	BOLT 1/4" - 20 x 2"	1
37	113- 3	BOLT - 1/4" - 20 x 3/4"	2
38	192- 19	LOCKWASHER - 1/4"	2
39	182- 525	SCREW - #10 - 32 x 3/8"	1
40	192- 18	LOCKWASHER - 3/16"	1
41	C 42895	BUSHING - steering cable	4
42	NSS	KIT - arm rest (optional) (order as machinery item GDS13)	-
	C 22947	TIE - nylon	1
43	111- 204**	BOLT - 5/16" - 18 x 1-1/4" carriage	4
44	192- 20**	LOCKWASHER - 5/16"	8
45	113- 103	BOLT - 5/16" - 18 x 1"	4
46	C 43438**	KNOB - seat	4
47	C 43137	SPRING - seat	2

\*Use before PIN 953403021  
 \*\*Use PIN 953403021 and after



**SINGLE TAIL WHEEL  
(G1250, G1600)**

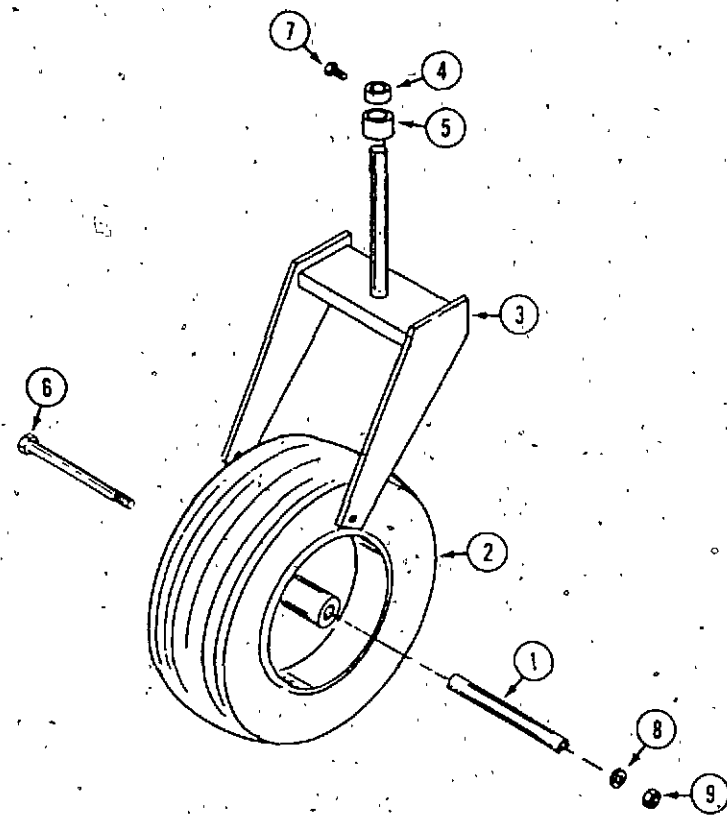
REF.	PART NO.	DESCRIPTION	REQ'D
1	C 38027	AXLE - wheel	1
2	C 38028	WHEEL ASSEMBLY - tail 15 x 6.00 - 6	1
	C 44499	BEARING - wheel	2
	C 38029	TIRE - 15 x 6.00 - 6	1
	C 38232	RIM - 6"	1
3	C 39015	FORK - tail wheel	1
4	C 37860	COLLAR - set 1"	1
5	C 37861	SPACER - tail wheel fork	1
6	C 38055	BOLT - 1/2" - 13 x 8-1/2"	1
7	85- 58	SCREW - set 5/16" - 18 x 1/2" square head	1
8	192- 23	LOCKWASHER - 1/2"	1
9	129- 105	NUT - 1/2" - 13	1
	219- 92	FITTING - grease 90° 1/4" - 28 self tap (caster pivot)	1



**DUAL TAIL WHEEL  
(DT10)**

1	C 37863	AXLE - dual wheel	1
2	C 39016	FORK - tail wheel	2
3	C 37865	BRACKET - mounting	1
4	C 37866	TUBE - block	1
5	C 38230	PIVOT - axle	1
6	C 37915	AXLE - wheel	2
7	C 37869	WHEEL ASSEMBLY	2
	C 44499	BEARING - wheel	2
	C 37870	TIRE - 13 x 5.00 - 6	2
	C 37871	RIM -	2
8	C 37824	BEARING - 1"	6
9	C 37860	COLLAR - set 1"	4
10	113- 2419	BOLT - 1/2" - 13 x 6-1/2"	2
11	192- 23	LOCKWASHER - 1/2"	2
12	129- 105	NUT - 1/2" - 13	2
13	85- 58	SCREW - set 5/16" - 18 x 1/2" square head	4
	219- 92	FITTING - grease 90° 1/4" - 28 self tap (castor pivot)	UAR

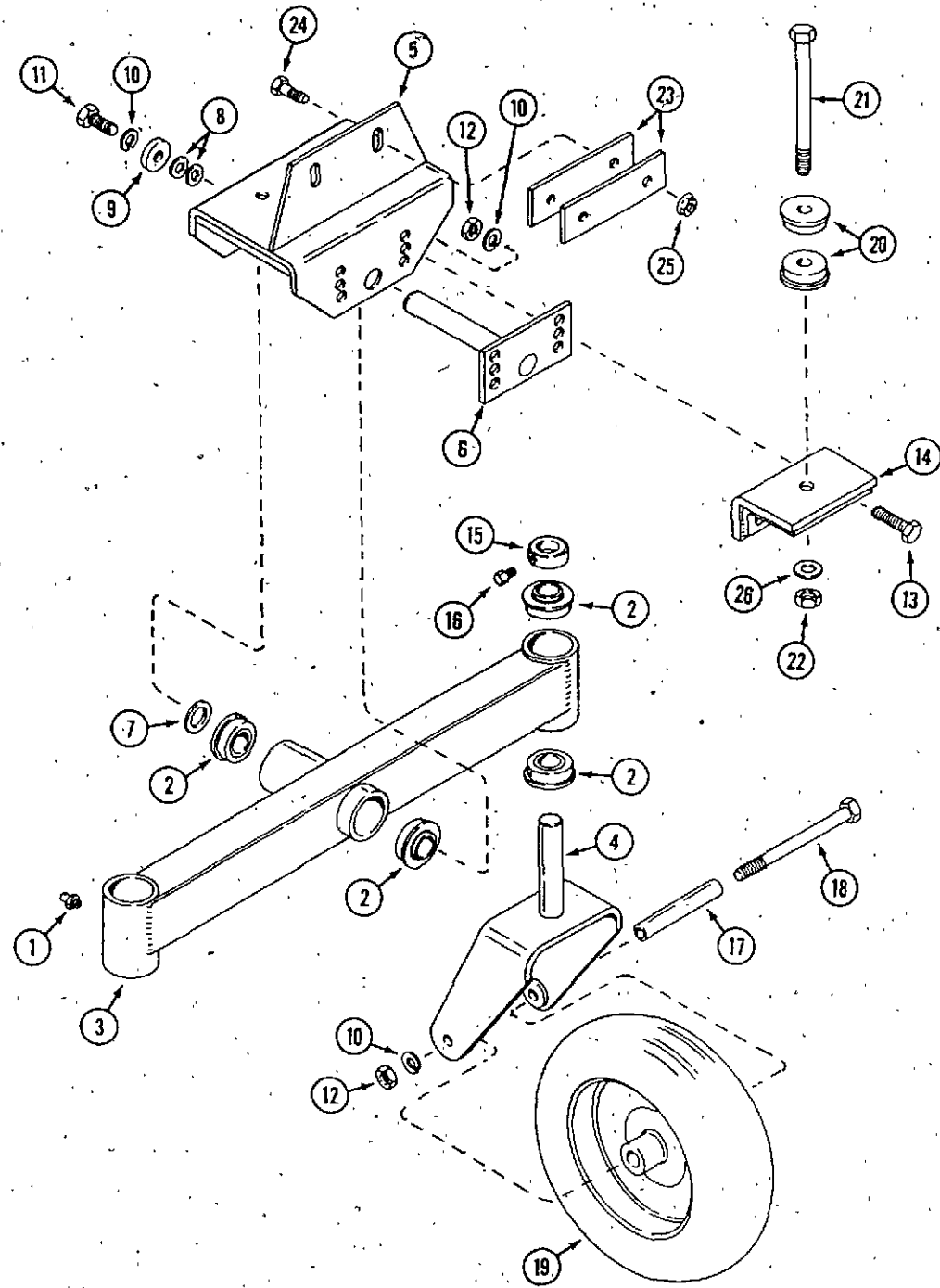
**SINGLE TAIL WHEEL  
(G1800CD)**



REF.	PART NO.	DESCRIPTION	REQ'D
1	C 37854	AXLE - wheel	1
2	C 37855	WHEEL ASSEMBLY - tail 16 x 6.50 - 8	1
	C 44499	BEARING - wheel	2
	C 37857	TIRE - 16 x 6.50 - 8	1
	C 37858	RIM - 8"	1
3	C 37859	FORK - tail wheel	1
4	C 37860	COLLAR - set 1"	1
5	C 37861	SPACER - tail wheel fork	1
6	113- 452	BOLT - 1/2" - 13 x 9-1/2"	1
7	85- 58	SCREW -set 5/16" - 18 x 1/2" square head	1
8	192- 23	LOCKWASHER - 1/2"	1
9	129- 105	NUT - 1/2" - 13	1
	219- 92	FITTING - grease 90° 1/4" - 28 self tap (caster pivot)	1

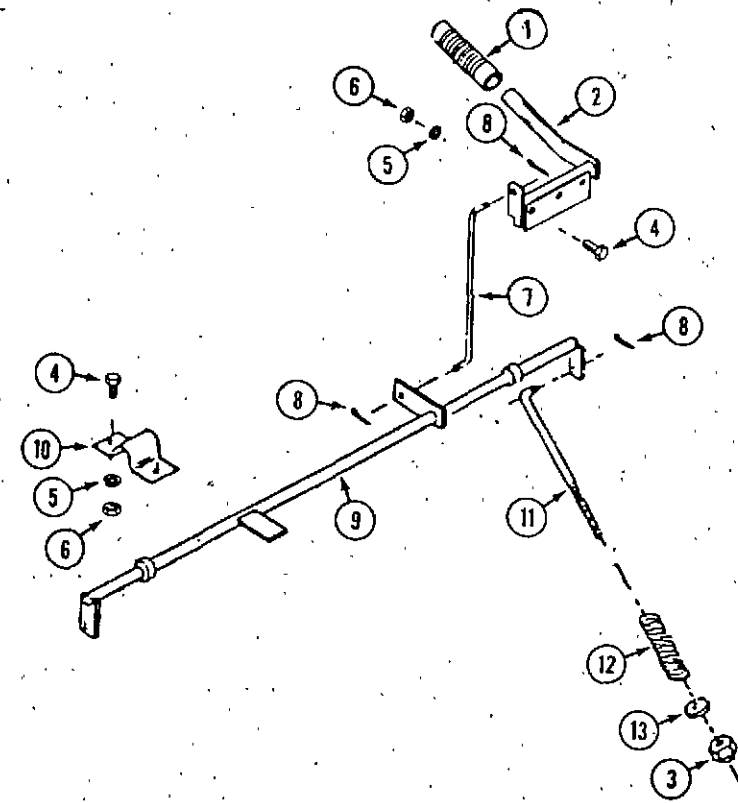


### DTW10 DUAL TAIL WHEEL



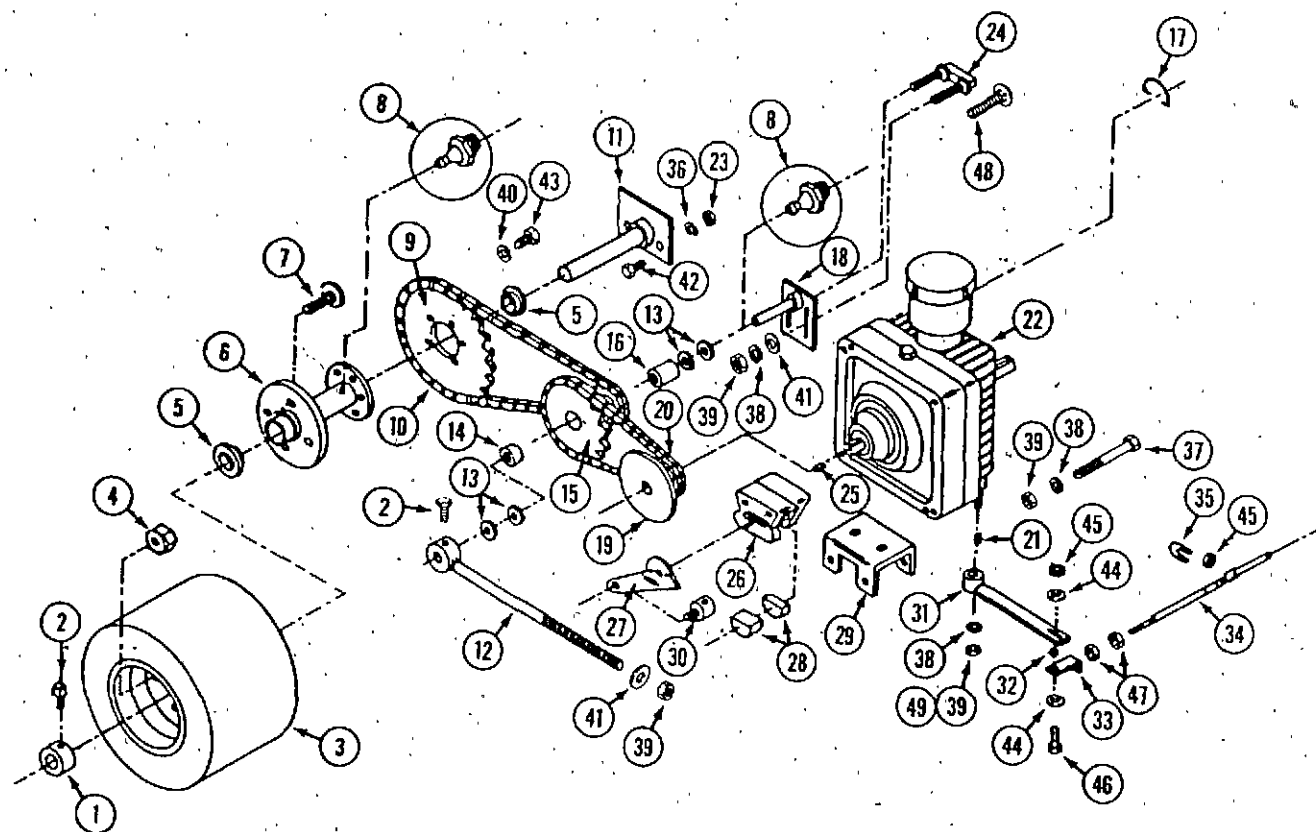
REF.	PART NO.	DESCRIPTION	REQ'D
1	219- 20	FITTING - lubrication 1/4" - 28	3
2	C 37824	BEARING - ball 1"	6
3	C 45610	AXLE - dual wheel	1
4	C 45645	FORK - wheel	2
5	C 45618	MOUNT - axle	1
6	C 45689	ROD - axle pivot	1
7	C 14919	WASHER - 1" x 1-3/4"	UAR
8	C 37004	WASHER - 1/2" x 1"	UAR
9	C 45841	WASHER - 1/2" x 1-3/8"	1
10	192- 23	LOCKWASHER - 1/2"	5
11	113- 417	BOLT - 1/2" - 13 x 1-1/4"	1
12	129- 105	NUT - 1/2" - 13	4
13	113- 412	BOLT - 1/2" - 13 x 1-3/4"	2
14	C 45708	MOUNT - axle, front extension	1
15	C 37860	COLLAR - set 1"	2
16	85- 58	SCREW - set 5/16" - 18 x 1/2" square head	1
17	C 37915	TUBE - axle	2
18	113- 448	BOLT - 1/2" - 13 x 7"	2
19	C 37869	WHEEL ASSEMBLY	2
	C 37872	BEARING - wheel	2
	C 37870	TIRE - 13 x 5.00 - 6	1
	C 37871	RIM	1
20	C 45711	BUSHING - tail wheel hub	2
21	113- 646	BOLT - 5/8" - 11 x 7-1/2"	UAR
21	113- 2606	BOLT - 5/8" - 11 x 11"	UAR
22	131- 356	NUT - 5/8" - 11	1
23	C 45746	PLATE - stiffener	2
24	113- 208	BOLT - 3/8" - 16 x 1-1/4"	2
25	131- 1352	NUT - 3/8" - 16 flange lock	2
26	195- 541	WASHER - 5/8" x 1-1/2"	1

**PARKING BRAKE**  
(also see drive assembly)



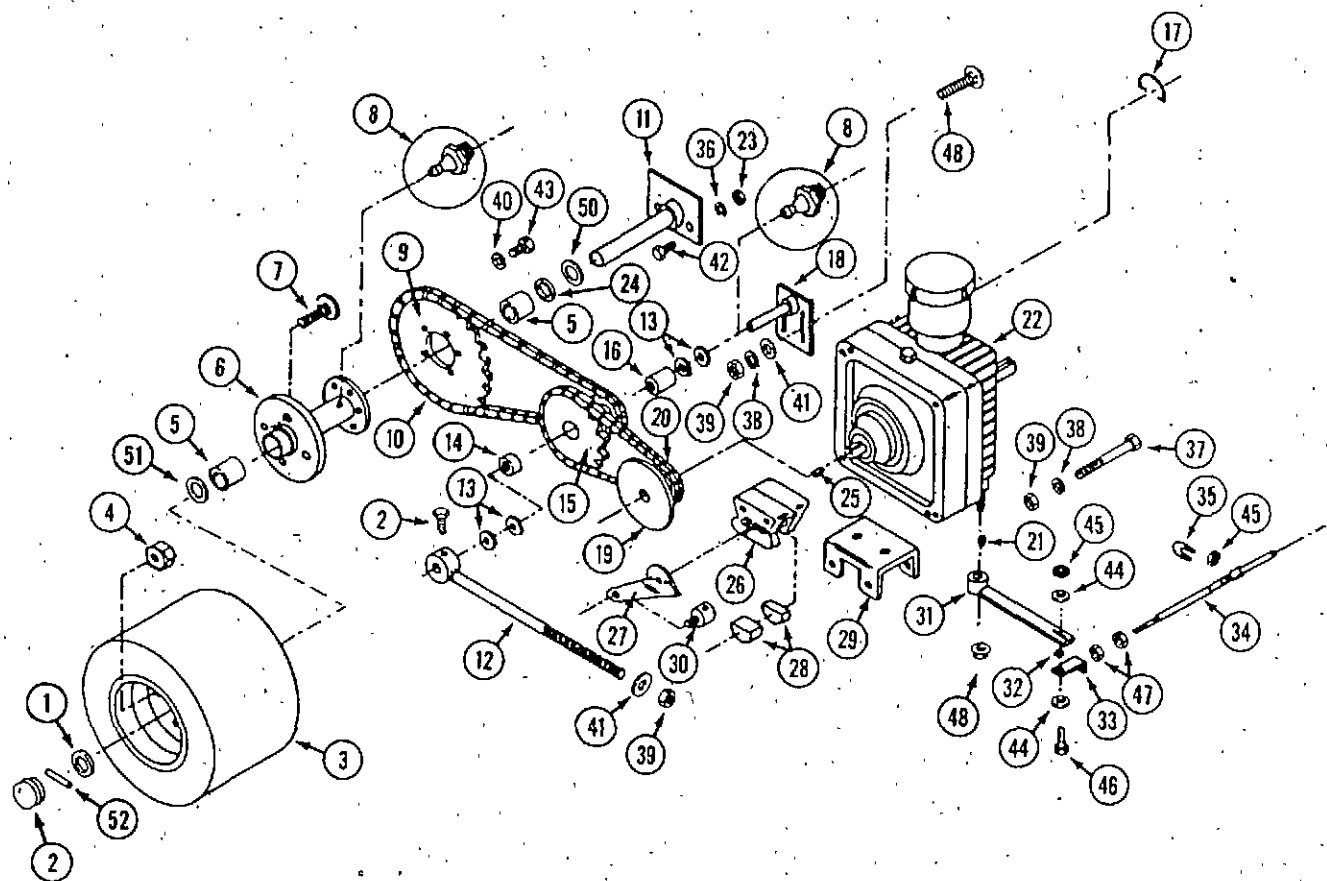
REF.	PART NO.	DESCRIPTION	REQ'D
1	C 37631	GRIP - handle	1
2	C 37604	HANDLE - brake	1
3	131- 71	NUT - lock 1/4" - 20	2
4	113- 3	BOLT - 1/4" - 20 x 3/4"	4
5	192- 19	LOCKWASHER - 1/4"	4
6	129- 101	NUT - 1/4" - 20	4
7	C 37606	ROD - brake	1
8	132- 332	PIN - cotter 3/32" x 1"	2
9	C 37985	ROD - cross, brake	1
10	C 37607	BEARING - cross rod	2
11	C 37986	ROD - caliper	2
12	C 37987	SPRING - compression	2
13	195- 102	WASHER 1/4"	2
14	131- 71	NUT - lock 1/4" - 20	2

**TRANSMISSION AND DRIVE CHAINS  
(G1250, G1600).**



REF.	PART NO.	DESCRIPTION	REQ'D
1	C 37860	COLLAR - set 1"	2
2	85- 58	SCREW - set 5/16" - 18 x 1/2" square head	2
3	C 37988	WHEEL ASSEMBLY - drive	2
	C 37989	TIRE - 16 x 7.50 - 8	1
	C 37990	RIM - wheel	1
4	C 37657	NUT - lug 1/2" - 20	8
	C 37992	HUB ASSEMBLY - 5-3/4"	2
	C 38992	HUB ASSEMBLY - (7" long)	2
5	C 37824	BEARING - wheel	2
6	C 37991	HUB - wheel (5-3/4" long)	1
6	C 38993	HUB - wheel (7" long)	1
7	C 37661	BOLT - lug 1/2" - 20 x 1-1/4"	4
8	219- 20	FITTING - grease 1/4" - 28 self tapping	1
9	C 37994	SPROCKET - final drive	1
10	C 37996	CHAIN - final drive (80 pitches)	2
10	C 38618	CHAIN - final drive (68 pitches)	1
10	C 44081	CHAIN - final drive (71 pitches)	1
11	C 37997	AXLE - drive wheel (7-1/2" shaft)	2
11	G 38859	AXLE - drive wheel (8-3/4" shaft)	1
12	C 37998	COLLAR - support	2
13	C 37999	WASHER - 3/4" 10 ga.	8
14	C 38000	BEARING - idler sprocket 1/2"	2
15	C 38002	SPROCKET - idler (includes bearings)	1
16	C 38003	BEARING - idler sprocket 3/4"	2
17	C 38004	CLIP - transmission dump valve	2
18	C 38005	SHAFT - idler sprocket	2
19	C 38006	SPROCKET - transmission (includes brake disc)	2
20	C 44083	CHAIN - primary drive	2
21	126- 6	KEY - 1/8" x 3/8" Woodruff	2
22	C 38008	TRANSMISSION L.H. (shown) (CW)	1
22	C 38009	TRANSMISSION - R.H. (CCW)	1
	C 38010	DIAPHRAGM - transmission	1
	C 38011	KIT - seal	1
	C 38012	KIT - reservoir, transmission	1
23	129- 105	NUT - 1/2" - 13	4
24	NSS	BAR - bolt (use 111-366)	2
25	C 37664	KEY - woodruff 1/8" x 1/2"	2
	C 37626	BRAKE ASSEMBLY - L.H.	1
	C 37625	BRAKE ASSEMBLY - R.H.	1
26	NSS	CALIPER - brake	1
27	C 38016	LEVER - caliper L.H.	1
27	C 38017	LEVER - caliper R.H.	1
28	C 37627	PAD - brake (set)	1
29	C 38018	BRACKET - caliper	1
30	C 37724	COLLAR - caliper rod	1
31	C 37698	ARM - transmission L.H.	1
31	C 37699	ARM - transmission R.H.	1
32	C 42895	BUSHING - cable end	2
33	C 42896	END - steering cable	2
34	C 37705	CABLE - steering	2
35	C 37616	CLAMP - steering cable	2
36	192- 23	LOCKWASHER - 1/2"	4
37	113- 241	BOLT - 3/8" - 16 x 3"	8
38	192- 21	LOCKWASHER - 3/8"	8
39	129- 103	NUT - 3/8" - 16	8
40	192- 20	LOCKWASHER - 5/16"	5
41	195- 104	WASHER - 3/8"	4
42	113- 410	BOLT - 1/2" - 13 x 1-1/2"	4
43	113- 103	BOLT - 5/16" 18 x 1"	5
44	195- 102	WASHER - 1/4"	4
45	131- 71	NUT - 1/4" - 20 lock	6
46	113- 4	BOLT - 1/4" - 20 x 1"	2
47	C 37598	NUT - #10 - 32 lock	4
48	111- 366	BOLT - carriage 3/8" - 16 x 1-1/4"	4
49	131- 1352	NUT - 3/8" - 16 flange lock	2

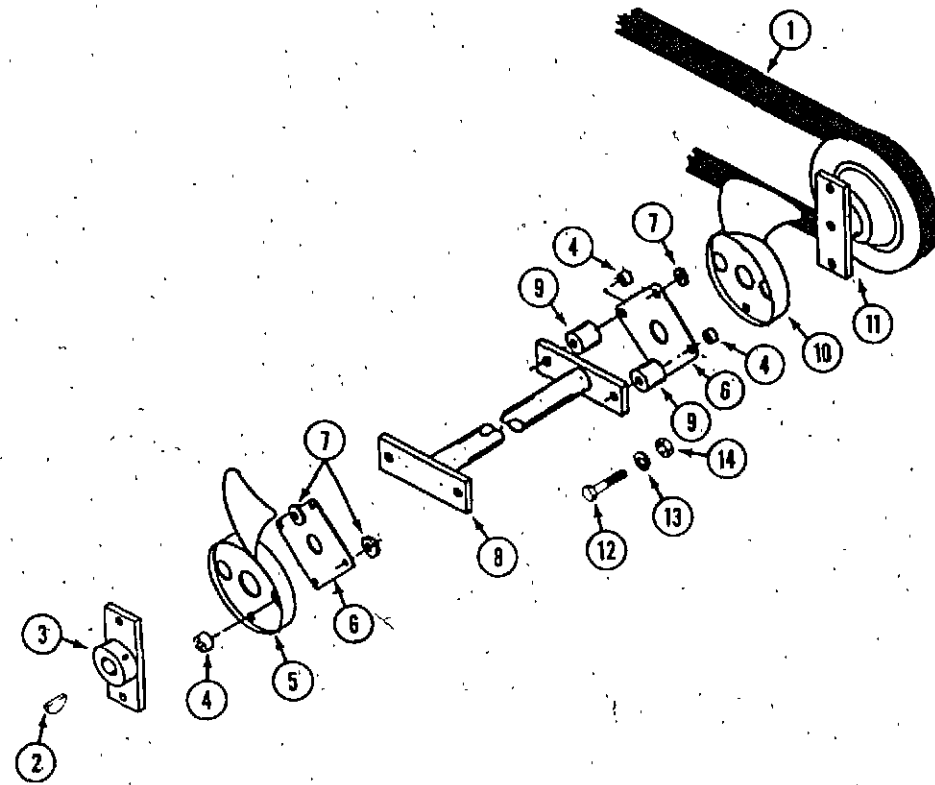
## TRANSMISSION AND DRIVE CHAINS (G1800CD)



REF.	PART NO.	DESCRIPTION	REQ'D
1	C 46058	SPACER - hub	2
2	C 28317	CAP - hub	2
3	C 45887	WHEEL ASSEMBLY - drive	2
	C 37652	TIRE - 18 X 9.50 - 8	1
	C 45888	RIM - wheel	1
4	C 37657	NUT - lug 1/2" - 20	8
5	C 45928	BEARING - wheel hub	4
6	C 45933	HUB - wheel	1
7	C 37661	BOLT - lug 1/2" - 20 x 1-1/4"	4
8	219- 20	FITTING - grease 1/4" - 28 self tapping	1
9	C 37994	SPROCKET - final drive	1
10	C 45927	CHAIN - final drive	1
11	C 45929	AXLE - drive wheel	1
12	C 37998	COLLAR - support	2
13	C 37999	WASHER - 3/4" 10 ga.	8
14	C 38000	BEARING - idler sprocket 1/2"	2
15	C 38002	SPROCKET - idler (includes bearings)	1
16	C 38003	BEARING - idler sprocket 3/4"	2
17	C 38004	CLIP - transmission dump valve	2
18	C 38005	SHAFT - idler sprocket	2
19	C 38006	SPROCKET - transmission (includes brake disc)	2
20	C 44083	CHAIN - primary drive	2
21	126- 6	KEY - 1/8" x 3/8" Woodruff	2
22	C 38008	TRANSMISSION L.H. (shown) (CW)	1
22	C 38009	TRANSMISSION - R.H. (CCW)	1
	C 38010	DIAPHRAGM - transmission	1
	C 38011	KIT - seal	1
	C 38012	KIT - reservoir, transmission	1
23	129- 105	NUT - 1/2" - 13	4
24	C 26246	SEAL - oil	2
25	C 37664	KEY - woodruff 1/8" x 1/2"	2
	C 37626	BRAKE ASSEMBLY - L.H.	1
	C 37625	BRAKE ASSEMBLY - R.H.	1
26	NSS	CALIPER - brake	1
27	C 38016	LEVER - caliper L.H.	1
27	C 38017	LEVER - caliper R.H.	1
28	C 37627	PAD - brake (set)	1
29	C 38018	BRACKET - caliper	1
30	C 37724	COLLAR - caliper rod	1
31	C 37698	ARM - transmission L.H.	1
31	C 37699	ARM - transmission R.H.	1
32	C 42895	BUSHING - cable end	2
33	C 42896	END - steering cable	2
34	C 37705	CABLE - steering	2
35	C 37616	CLAMP - steering cable	4
36	192- 23	LOCKWASHER - 1/2"	2
37	113- 241	BOLT - 3/8" - 16 x 3"	8
38	192- 21	LOCKWASHER - 3/8"	8
39	129- 103	NUT - 3/8" - 16	8
40	192- 20	LOCKWASHER - 5/16"	5
41	195- 104	WASHER - 3/8"	4
42	113- 412	BOLT - 1/2" - 13 x 1-3/4"	4
43	113- 103	BOLT - 5/16" 18 x 1"	5
44	195- 102	WASHER - 1/4"	4
45	131- 71	NUT - 1/4" - 20 lock	6
46	113- 4	BOLT - 1/4" - 20 x 1"	2
47	C 37598	NUT - #10 - 32 lock	4
48	111- 366	BOLT - carriage 3/8" - 18 x 1-1/4"	4
49	131- 1352	NUT - 3/8" - 16 flange lock	2
50	C 15557	SHIM - .050"	2
51	C 15556	SHIM - .010"	2
52	138- 138	PIN - roll 1/4" x 1-1/2"	1

UAR  
1

### DRIVE PULLEY AND CROSS SHAFT (TRANSMISSION)

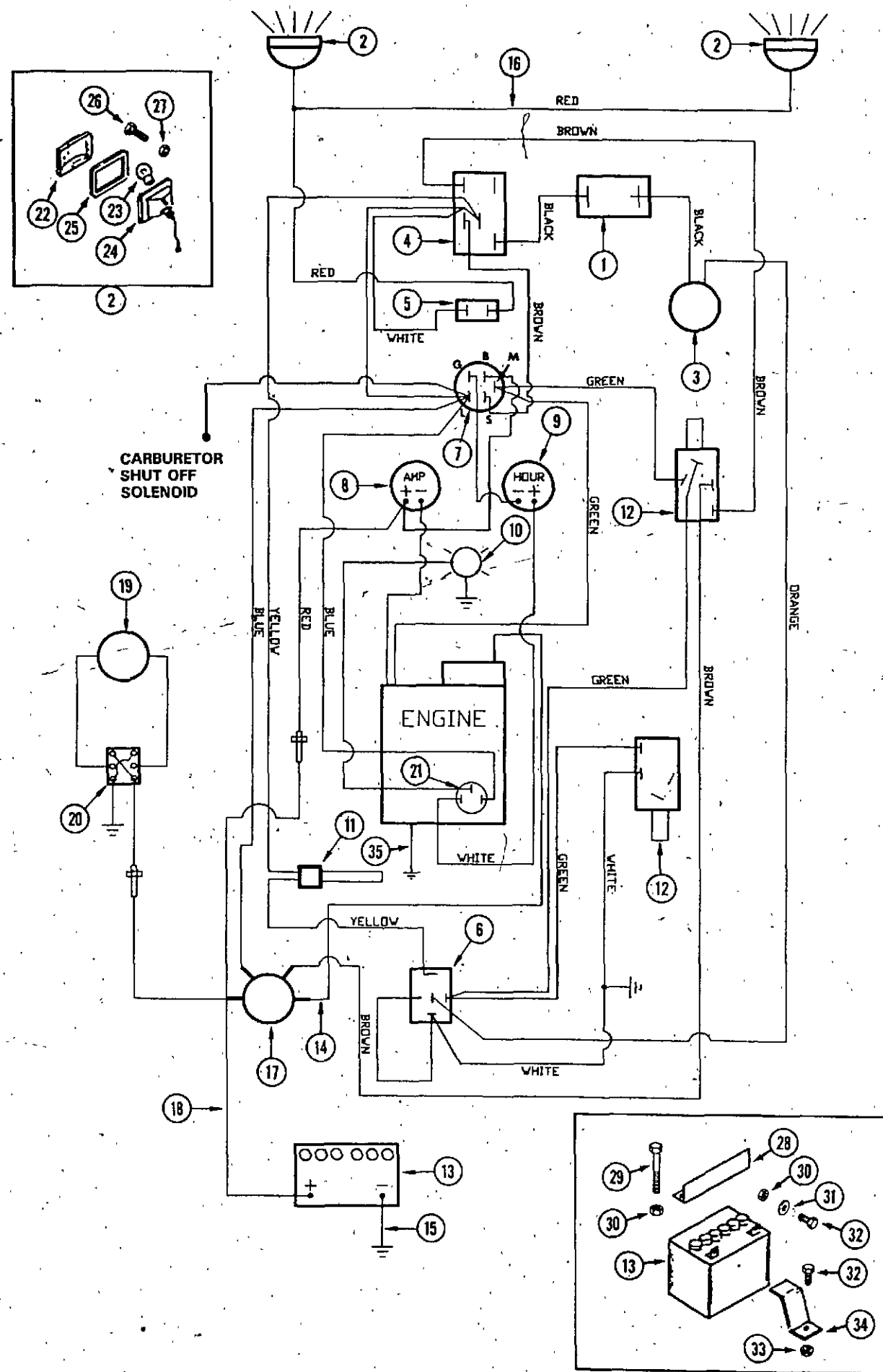


REF.	PART NO.	DESCRIPTION	REQ'D
1	C 37995	BELT - transmission drive	1
2	126- 9	KEY - woodruff 1/8" x 1/2"	2
3	C 37694	HUB - drive plate	1
4	C 37702	SPACER - bolt	4
5	C 38014	FAN - CCW	1
6	C 37700	PLATE - drive	2
7	C 37704	WASHER - 1/4" 10 ga	6
8	C 38015	SHAFT - cross	1
9	C 37703	SPACER	2
10	C 38019	FAN - CW	1
11	C 37695	PULLEY - drive (includes drive plate)	1
12	113- 121	BOLT - 5/16" - 18 x 2"	UAR
12	113- 104	BOLT - 5/16" - 18 x 1-1/4"	UAR
12	113- 103	BOLT - 5/16" - 18 x 1"	UAR
13	192- 20	LOCKWASHER - 5/16"	8
14	129- 102	NUT - 5/16" - 18	8

# ELECTRICAL SYSTEM

G1250 - All

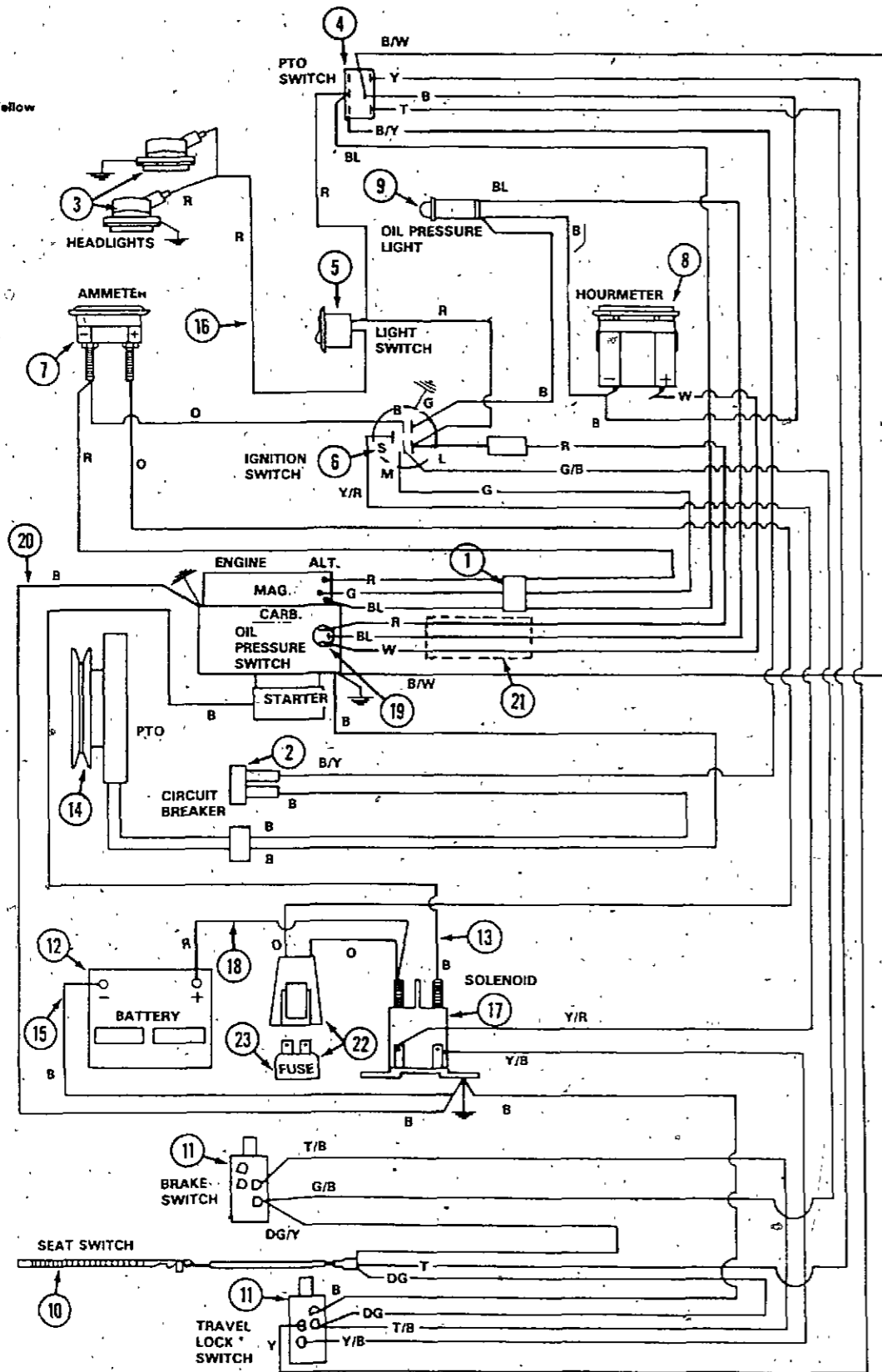
G1600 - before S/N 952501020



REF.	PART NO.	DESCRIPTION	REQ'D
	C 42241	HARNES - wire	1
1	C 37505	BREAKER - circuit, 10 amp	1
2	NSS	HEADLIGHT - (use C32178 and C44075)	2
3	C 37511	CLUTCH - PTO, electric	1
4	C 31937	SWITCH - PTO (also use C31619 cap)	1
5	C 43044	SWITCH - headlight	1
6	C 37515	RELAY	1
	113- 3	BOLT - 1/4" - 20 x 3/4" (relay mounting)	1
	192- 19	LOCKWASHER - 1/4" (relay mounting)	1
	121- 101	NUT - 1/4" - 20 (relay mounting)	1
7	C 24145	SWITCH - ignition (use C32407 key)	1
7A	C 32397	CAP - nut (ignition switch mounting)	1
7B	193- 63	LOCKWASHER - 5/8" (ignition switch mounting)	1
7C	C 32396	NUT - 5/8" - 32 (ignition switch mounting)	1
8	C 29413	AMMETER	1
9	C 42929	METER - hour	1
10	C 37519	LIGHT - oil	1
11	C 37520	SWITCH - seat	1
12	C 37521	SWITCH - safety (enlarge mounting hole if required)	2
12A	182- 525	SCREW - #10 - 32 x 3/8" (safety switch mount)	1
12B	192- 18	LOCKWASHER - 3/16" (safety switch mount)	1
13	C 41010	BATTERY - 12 volt	1
14	C 37523	WIRE - starter	2
15	C 37528	CABLE - ground	1
16	C 37525	WIRE - headlight (with female terminals) early production	1
16	C 44075	WIRE - headlight (with 2 male terminals) current production	1
17	C 37526	SOLENOID - starting	1
	113- 3	BOLT - 1/4" - 20 x 3/4" (solenoid mounting)	2
	192- 19	LOCKWASHER - 1/4" (solenoid mounting)	2
	129- 101	NUT - 1/4" - 20 (solenoid mounting)	2
	192- 20	LOCKWASHER - 5/16" (solenoid studs)	2
	129- 102	NUT - 5/16" - 18 (solenoid studs)	2
	192- 18	LOCKWASHER - 3/16" (solenoid studs)	2
	129- 37	NUT - #10 - 32 (solenoid studs)	1
	129- 6	NUT - #8 - 32 (solenoid studs)	1
18	C 37523	WIRE - battery positive to solenoid	1
19	C 37529	ACTUATOR - electric lift (early production) optional	1
20	C 37530	SWITCH - deck lift (early production) optional	1
21	C 37531	SWITCH - oil light	1
22	C 22573	LENS - headlight	2
23	C 28932	BULB - headlight (#1156)	2
23	C 37508	BULB - headlight (#1141)	2
24	NSS	RECEPTICAL - headlight (use C32178, C44075)	2
25	C 14304	GASKET - headlight	2
26	113- 4	BOLT - 1/4" - 20 x 1"	2
27	129- 101	NUT - 1/4" - 20	2
28	C 37983	BRACKET - battery hold down	1
29	C 38677	BOLT - 1/4" - 20 x 7"	2
30	129- 101	NUT - 1/4" - 20	2
30	131- 71	NUT - 1/4" - 20 lock	2
31	195- 102	WASHER - 1/4"	3
32	113- 3	BOLT - 1/4" - 20 x 3/4"	3
33	131- 934	NUT - 1/4" - 20 flange lock	1
34	NSS	PROTECTOR - battery post (use C24069)	1
35	C 41643	WIRE - engine ground	1

WIRE COLOR CODE

DG - Dark Green  
 T/B - Tan/Black  
 B - Black  
 Y/B - Yellow/Black  
 Y - Yellow  
 T - Tan  
 DG/Y - Dark Green/Yellow  
 O - Orange  
 Y/R - Yellow/Red  
 B/W - Black/White  
 BL - Blue  
 B/Y - Black/Yellow  
 G/B - Green/Black  
 R - Red  
 G - Green  
 W - White



ELECTRICAL SYSTEM  
 G1600, S/N952501020 AND AFTER  
 G1800CD - ALL

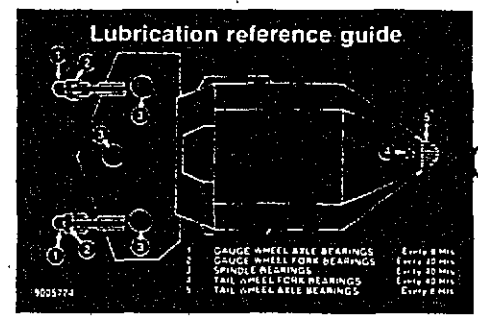
REF.	PART NO.	DESCRIPTION	QTY.
	C 45535	HARNESS - wire, main	1
1	C 45539	HARNESS - wire, alternator and magneto	1
2	C 37505	BREAKER - circuit, 10 amp	1
3	C 32178	HEADLIGHT	2
	C 22573	LENS - headlight	1
	C 37508	BULB - headlight	1
	C 37509	RECEPTICAL	1
	C 14304	GAasket - headlight	1
4	C 31937	SWITCH - PTO (also use C31619 Cap)	1
	C 44469	NUT - 1/2" - 27 PTO switch retaining	2
5	C 43044	SWITCH - headlight	1
6	C 30267	SWITCH - ignition	1
	C 32407	KEY - ignition	1
	C 32397	CAP - nut, ignition switch	1
	193- 63	LOCKWASHER - 5/8	1
7	C 32396	NUT - 5/8" - 32 ignition switch	1
8	C 29413	AMMETER	1
9	C 42929	METER - hour	1
10	C 45537	SWITCH - seat	1
11	C 37521	SWITCH - safety	2
	182- 525	SCREW - #10 - 32 x 3/8" (safety switch mount)	1
	192- 18	LOCKWASHER - 3/16" (safety switch mount)	1
	193-1000	NUT - #10 - 32 Lock (safety switch mount)	2
	182- 528	SCREW - #10 - 32 x 1/2" (safety switch mount)	2
12	C 41010	BATTERY - 12 volt	1
13	C 44261	WIRE - starter	1
14	C 37511	CLUTCH - PTO	1
15	C 37528	CABLE - ground	1
16	C 44075	WIRE - headlight	1
17	C 33024	SOLENOID - start	1
	113- 3	BOLT - 1/4" - 20 x 3/4" (solenoid mounting)	2
	131- 934	NUT - 1/4" - 20 (solenoid mounting)	2
	192- 19	LOCKWASHER - 1/4" (solenoid studs)	2
	129- 101	NUT - 1/4" - 20 (solenoid studs)	2
18	C 37523	CABLE - battery positive to solenoid	1
19	C 37531	SWITCH - oil light	1
20	C 41643	WIRE - ground	1
21	C 42240	HARNESS - oil pressure switch	1
22	C 31947	KIT - fuse holder	1
23	C 30260	FUSE - 30 amp	1

12  
1250

1  
1600

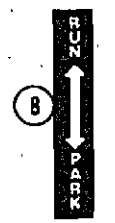
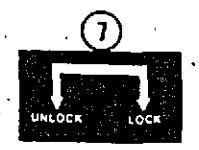
1800CD

11 14  
GRAZER



6 CAUTION  
THIS MACHINE HAS AN IGNITION INTER-  
LOCK SAFETY SYSTEM. ALL CONTROLS  
MUST BE IN NEUTRAL BEFORE THE  
ENGINE WILL START.

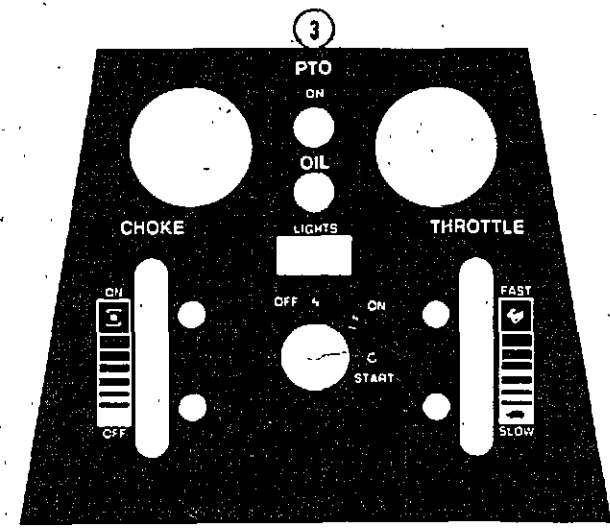
9 DANGER  
ENGINES PRODUCE CARBON MONOXIDE  
WHICH IS AN UNVISIBLE DEADLY POISON.  
DO NOT OPERATE IN AN ENCLOSED AREA.



5 OPERATION OF CONTROLS  
CONTROL THE SPEED THROUGH THE  
USE OF TRANSMISSION CONTROL ONLY.  
CAUTION! READ OPERATING  
MANUAL BEFORE OPERATING  
THIS MACHINE.

FORWARD  
NEUTRAL  
REVERSE

13 WARNING  
READ OPERATOR'S MANUALS.  
KNOW LOCATION & FUNCTION OF ALL CONTROLS.  
KEEP ALL ENGINES, EXHAUST & SAFETY SWITCHES  
IN PLACE & WORKING.  
CLEAR WORK AREA OF PEOPLE THAT COULD  
BE THROWN BY THE MOWER.  
DO NOT REAR ENGINE OR DRIVE AS OTHERS ARE WORKING  
BEHIND LAWNY EQUIPMENT.  
LIFT MOWER & DRIVE FORWARD AND HOLD BRAKES.  
DO NOT USE BRAKE BLADES, LEFT AHEAD.  
IF MOWER STOPS, STOP BLADES.  
AND EACH ENGINE START.  
AND SAFETY TOWER.  
FAILURE TO OBSERVE THESE PRECAUTIONS  
COULD RESULT IN SERIOUS INJURY OR DEATH.



DECALS (BODY)

REF.	PART NO.	DESCRIPTION	REQ'D
1	C 42100	DECAL - L.H. ("1600" model number)	1
1	C 42101	DECAL - R.H. ("1600" model number) shown	1
2	C 43417	DECAL - fender skirt L.H.	1
2	C 43418	DECAL - fender skirt R.H. (shown)	1
3	C 37501	DECAL - instrument panel	1
4	C 38047	MEDALLION - "Grazer"	1
5	C 37495	DECAL - operation	1
6	C 37496	DECAL - caution interlock	1
7	C 37502	DECAL - unlock/lock	1
8	C 37498	DECAL - run/park	1
9	C 37500	DECAL - danger carbon monoxide	1
10	C 38807	DECAL - lubrication	1
11	C 43416	DECAL - tail side "Grazer"	2
12	NSS	DECAL - rear side L.H. ("1250" model number) see kit below	1
12	NSS	DECAL - rear side R.H. (shown) ("1250" model number) see kit below	1
13	C 44340	DECAL - warning	1
14	C 43413	DECAL - front "Grazer"	1
	C 38048	KIT - decal 1250 (includes 2, 11, 12, 14)	1
	C 42416	KIT - decal 1600 (includes 1, 2, 11, 14)	1
15	C 46062	DECAL - L.H. ("1800CD", model number)	1
15	C 46063	DECAL - R.H. ("1800CD", model number) shown	1